

A

B

C

D

E

F

A

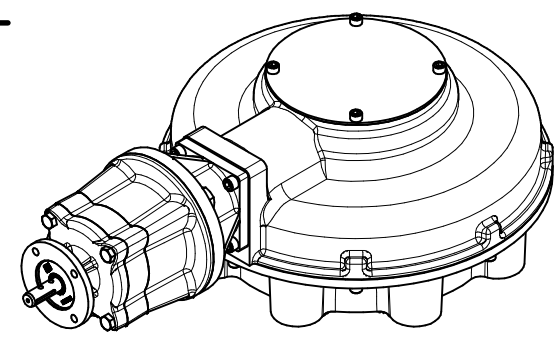
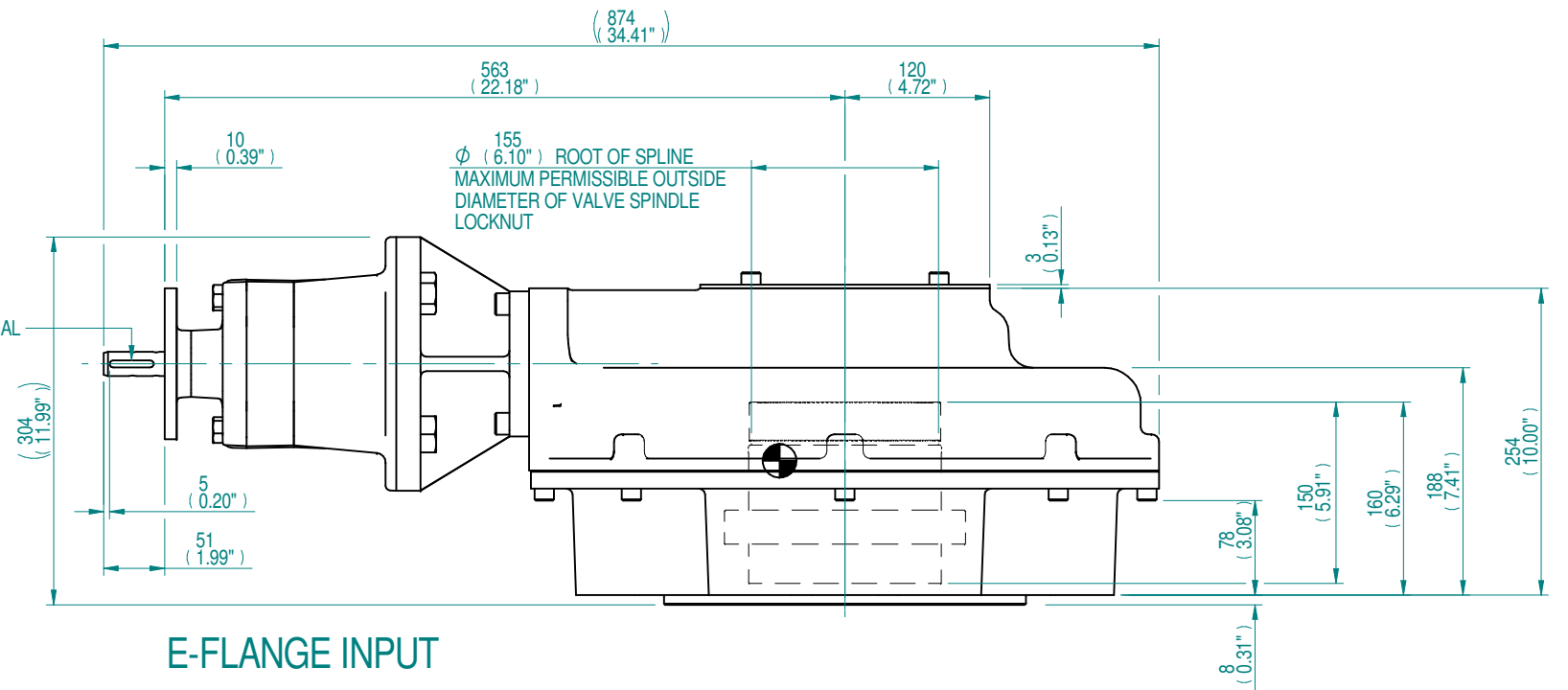
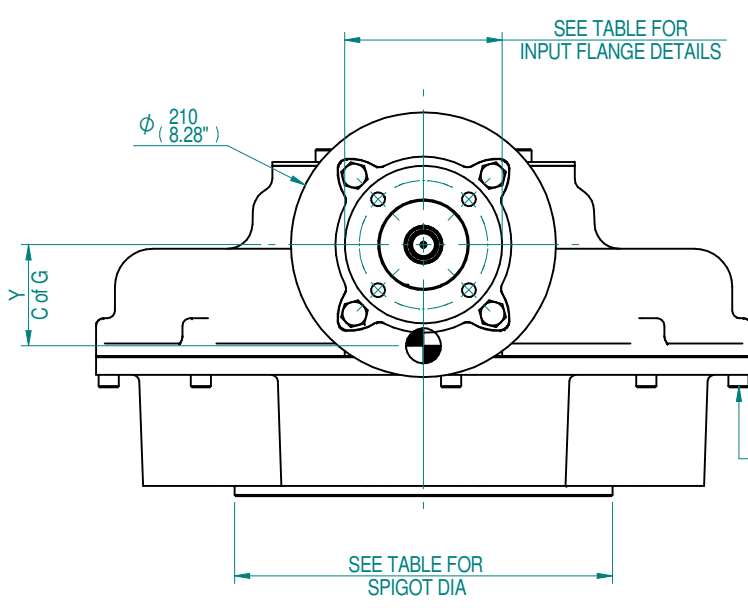
B

C

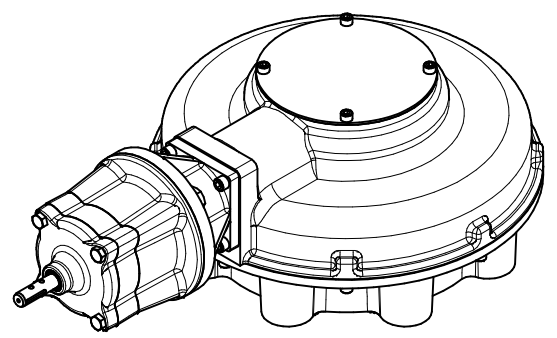
D

E

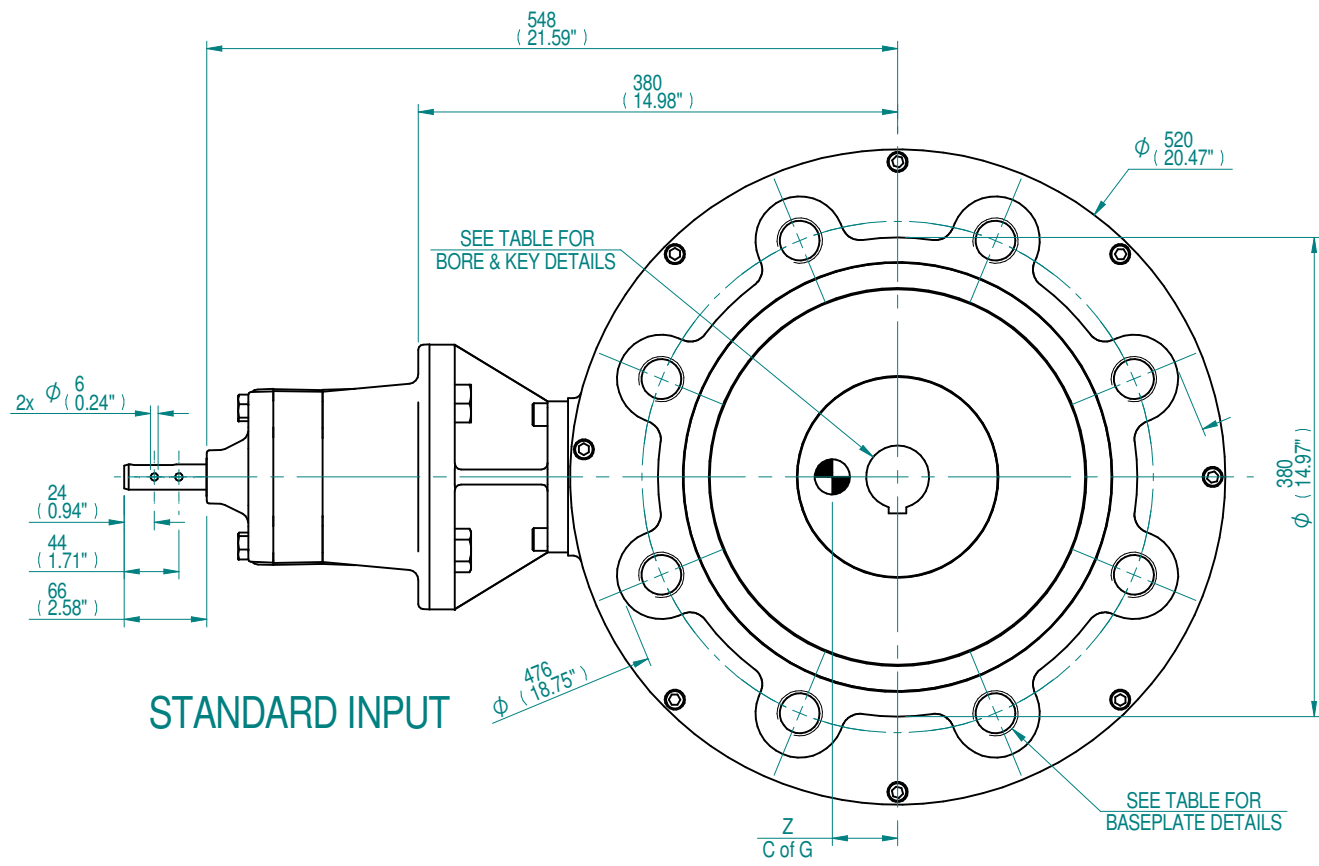
F



E-FLANGE INPUT ISOMETRIC VIEW 1:10



STANDARD INPUT ISOMETRIC VIEW 1:10



NOTE: MPR IS NOT SUITABLE FOR MOTORISED APPLICATIONS.

COMMON INPUT DETAILS		E-FLANGE INPUT DETAILS			
SHAFT DIA.	KEY DETAILS	FLANGE O/DIA.	RECESS DIA.	RECESS DEPTH	HOLE DETAILS (45° OFF CENTRES)
Ø19.98-0.05	6x6x36	Ø125	Ø70 +0.07	5.5	4 HOLES Ø10.5 ON Ø102.0 P.C.
(Ø0.787"-0.002")	(0.24"x0.24"x1.42")	(Ø4.92")	(Ø2.756"+0.003")	(0.22")	4 HOLES Ø0.41" ON Ø4.02" P.C.

MOUNTING HOLES - BOLT CIRCLE (OFF CENTRES)		
STANDARD	SPIGOT DIAMETER	HOLE DETAILS (22.5° OFF CENTRES)
ISO F40	Ø299.95-0.05 (Ø11.809"-0.002")	8 HOLES M36x45 (1.77") DEEP ON Ø406.0 (Ø15.98") P.C.
FA40	Ø228.60-0.15 (Ø9.000"-0.006")	8 HOLES 1.25"UNCx45 (1.77") DEEP ON Ø406.4 (Ø16.00") P.C.

MAX BORE SQ KEY			MAX BORE RECTANGULAR KEY		MAX. STEM SCREW ACCEPTANCE DIA.
STD	BORE	KEY	BORE	KEY	
BS4235	-	-	121.0	32 x 18	127 (5.000")
BS46	4.500"	1 1/4" SQ	4.625"	1 1/4" x 7/8"	
ANSI B17.1	4.500"	1" SQ	4.625"	1 1/4" x 7/8"	

DESCRIPTION			TORQUE		C of G		
MPR	RATIO	MA +/- 15%	OUTPUT	INPUT	X	Y	Z
MPR19	153.6	104.7	10846 Nm	103 Nm	0	80	52

Rev	CN	Revised	Approved	Date	Change Description
A	-	-	-	-	FIRST ISSUE

AS PART OF CONTINUOUS PRODUCT DEVELOPMENT, ALL DETAILS SUBJECT TO CHANGE WITHOUT PRIOR NOTICE. FOR UP TO DATE DETAILS PLEASE VISIT [www.rotork.com](http://www.rotork.com)

**rotork** Gears  
LEEDS - UK  
[www.rotork.com](http://www.rotork.com)

This drawing is confidential and is the property of Rotork Gears and must not be reproduced either wholly or partly. All rights in respect of patents, designs and copyrights are reserved. © 2019

Document type	<b>PUBLICITY</b>	Mass	220.86 kg	Title	<b>HOB13 GEARBOX</b>
		Dimensions in mm			<b>MPR19 MANUAL INPUT REDUCER F40/FA40 OUTPUT</b>
		Scale	1:6		
Created	<b>M JONES</b>		<b>28/03/2019</b>	Drawing Number	<b>PUB-HOB13MPR19-F40</b>
Checked	<b>N COOPE</b>		<b>04/04/2019</b>	Rev	<b>A</b>
Approved	-		-	Sheet	<b>1</b> of <b>1</b> Size <b>A3</b>