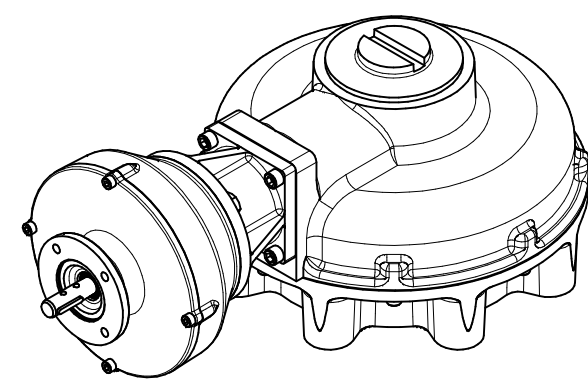
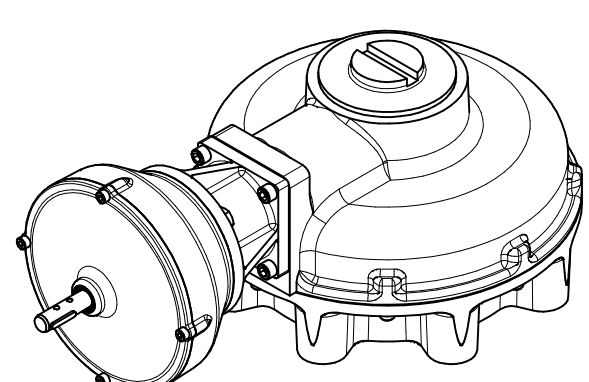


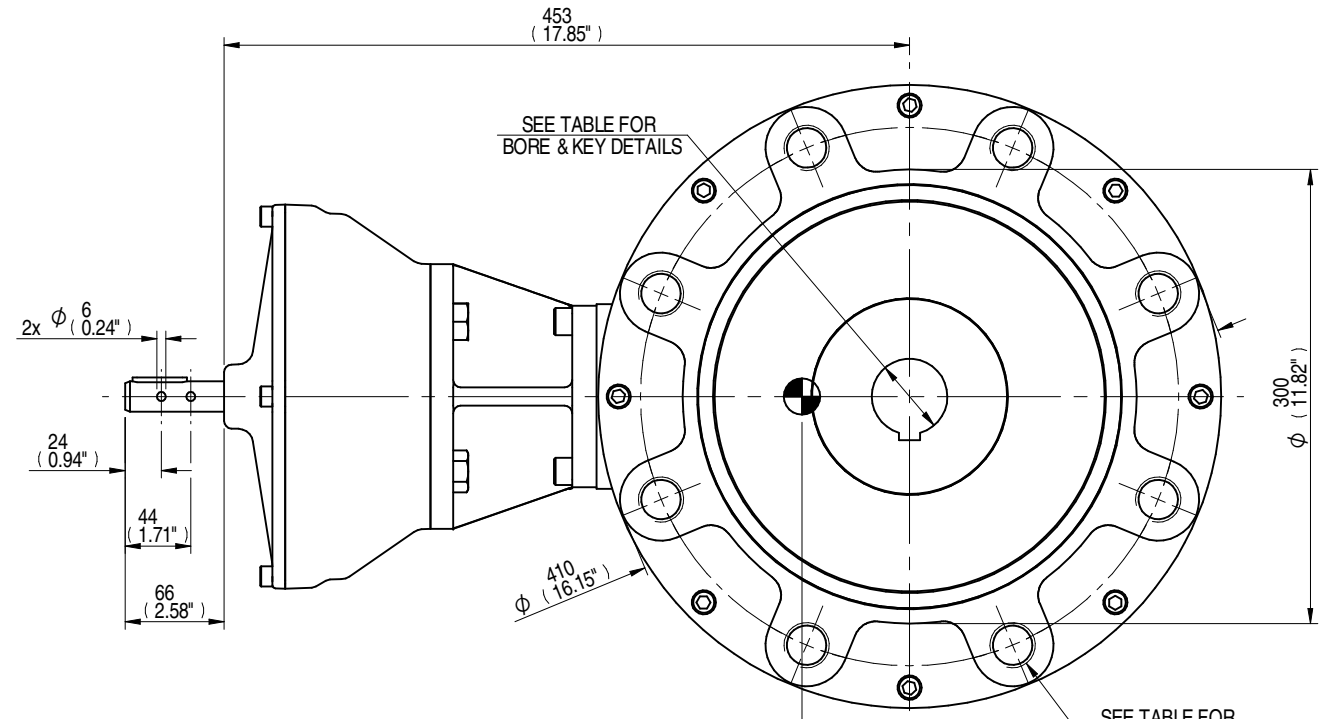
E-FLANGE INPUT



E-FLANGE INPUT ISOMETRIC VIEW 1:8



STANDARD INPUT ISOMETRIC VIEW 1:8



STANDARD INPUT

NOTE: MPR IS NOT SUITABLE FOR MOTORISED APPLICATIONS.

COMMON INPUT DETAILS		E-FLANGE INPUT DETAILS			
SHAFT DIA.	KEY DETAILS	FLANGE O/DIA.	RECESS DIA.	RECESS DEPTH	HOLE DETAILS (45° OFF CENTRES)
Ø19.98-0.05	6x6x36	Ø126	Ø70.05+0.05	3	4 HOLES Ø10.5 ON Ø102.0 P.C.
(Ø0.787"-0.002")	(0.24"x0.24"x1.42")	(Ø4.96")	(Ø2.758"+0.002")	(0.12")	4 HOLES Ø0.41" ON Ø4.02" P.C.

STANDARD	MOUNTING HOLES - BOLT CIRCLE (OFF CENTRES)	
	SPIGOT DIAMETER	HOLE DETAILS (22.5° OFF CENTRES)
ISO F35	Ø259.95-0.05 (Ø10.234"-0.002")	8 HOLES M30X40 (1.57") DEEP ON Ø356.0 (Ø14.02") P.C.
FA35	Ø215.80-0.25 (Ø8.496"-0.008")	8 HOLES 1"UNCX40 (1.57") DEEP ON Ø355.6 (Ø14.00") P.C.

MAX BORE SQ KEY			MAX BORE RECTANGULAR KEY		MAX. STEM SCREW ACCEPTANCE DIA.
STD	BORE	KEY	BORE	KEY	
BS4235	-	-	96.0	28x16	100 (3.875")
BS46	3.500"	7/8" SQ	3.625"	1" x 3/4"	
ANSI B17.1	3.500"	7/8" SQ	3.625"	7/8" x 5/8"	

DESCRIPTION		TORQUE			C of G		
MPR	RATIO	OUTPUT	INPUT	MA	X	Y	Z
MPR10	60.8:1	5423 Nm	124 Nm	43.9	0	68	74

AS PART OF CONTINUOUS PRODUCT DEVELOPMENT, ALL DETAILS SUBJECT TO CHANGE WITHOUT PRIOR NOTICE. FOR UP TO DATE DETAILS PLEASE VISIT www.rotork.com

Rev	CN	Revised	Approved	Date	Change Description
A	-	-	-	29/04/2014	FIRST ISSUE

This drawing is confidential and is the property of Rotork Gears and must not be reproduced either wholly or partly. All rights in respect of patents, designs and copyrights are reserved. © 2014

Document type	PUBLICITY	Mass	136.40 kg	Title	HOB11 GEARBOX
Created	J. DICKINSON	29/04/2014	Dimensions in mm		
Checked	T. WITAMORE	14/05/2014	Scale 1:5		
Approved	-	-	Drawing Number		
			PUB-HOB11MPR10-F35		
			Rev A		