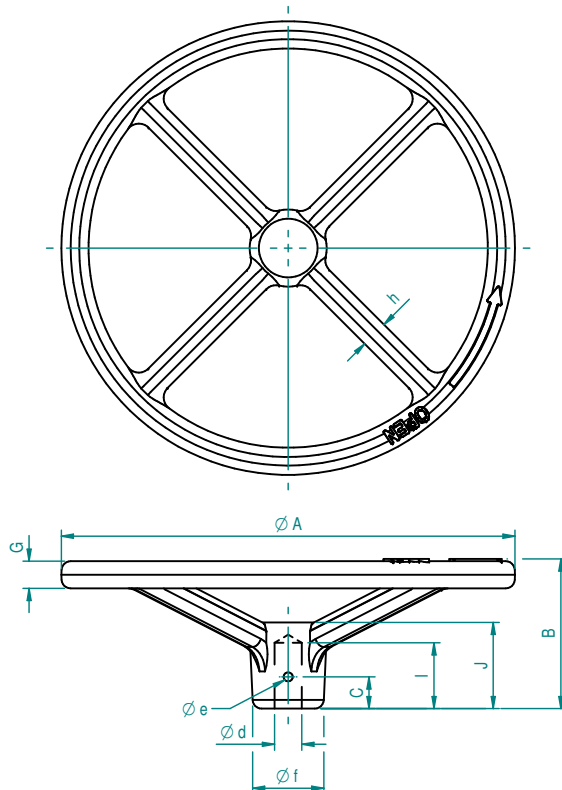
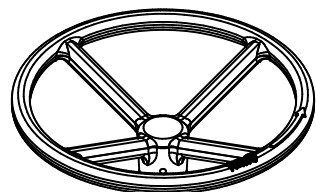
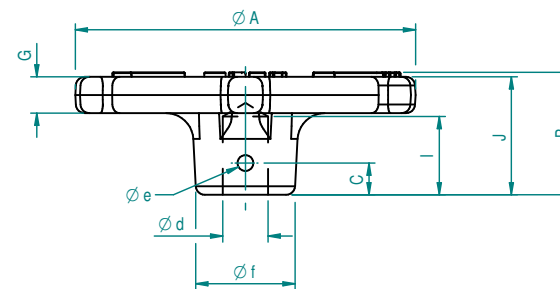
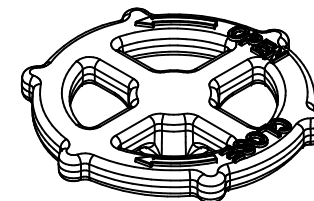
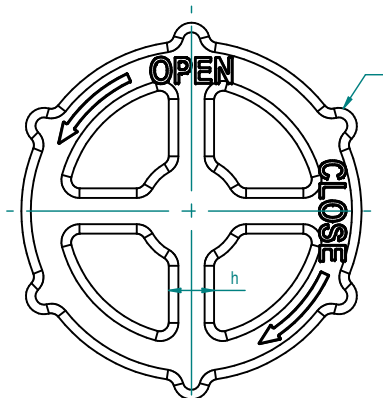


ISSUE	ALTERATIONS
01	REMOVED TYPES CD75 & CD125
02	ADDED TYPE CD125
03	Update dimension C



MODEL 1



MODEL 2

Standard coating: RAL9005 black
 * Other colours available on request

HANDWHEEL	MODEL	Ø A	B	C	Ø d	Ø e	Ø f	G	H	I	J	R
CD50-10	2	50 [1.97]	23 [0.91]	8 [0.31]	10 [0.39]	3.5 [0.14]	18 [0.71]	8 [0.31]	10 [0.39]	17 [0.67]	22 [0.87]	4 [0.16]
CD100-10	1	100 [3.94]	33 [1.30]	8 [0.31]	10 [0.39]	3.5 [0.14]	23 [0.91]	10 [0.39]	10 [0.39]	20 [0.79]	26 [1.02]	-
CD100-12					12 [0.47]	4 [0.16]						
CD125-12	1	125 [4.92]	47 [1.85]	8 [0.31]	12 [0.47]	4 [0.16]	32 [1.26]	10 [0.39]	10 [0.39]	20 [0.79]	38 [1.50]	-
CD125-16					16 [0.63]	5 [0.20]				29 [1.14]		
CD200-12	1	200 [7.87]	66 [2.60]	8 [0.31]	12 [0.47]	4 [0.16]	32 [1.26]	12 [0.55]	12 [0.55]	29 [1.14]	38 [1.50]	-
CD200-16					16 [0.63]	5 [0.20]						

UNLESS OTHERWISE SPECIFIED:
 1. ALL DIMENSIONS IN MM [inch]

ROTORK GEARS BV
 NIJVERHEIDSSTRAAT 25
 7581 PV LOSSER
 THE NETHERLANDS

HANDWHEELS TYPE CD

THIS DOCUMENT IS PROPERTY OF ROTORK GEARS. NEITHER THIS OR ITS CONTENT MAY BE COPIED OR USED IN ANY OTHER WAY DETRIMENTAL TO THE INTEREST OF ROTORK GEARS. ACCEPTANCE OF THIS DOCUMENT SHALL CONSTITUTE ACKNOWLEDGEMENT OF THE FOREGOING CONDITIONS

DRAWN:- Robbin Goosen 24-07-2012
 CHECKED:- Henk Hoff 24-07-2012

CD00-001