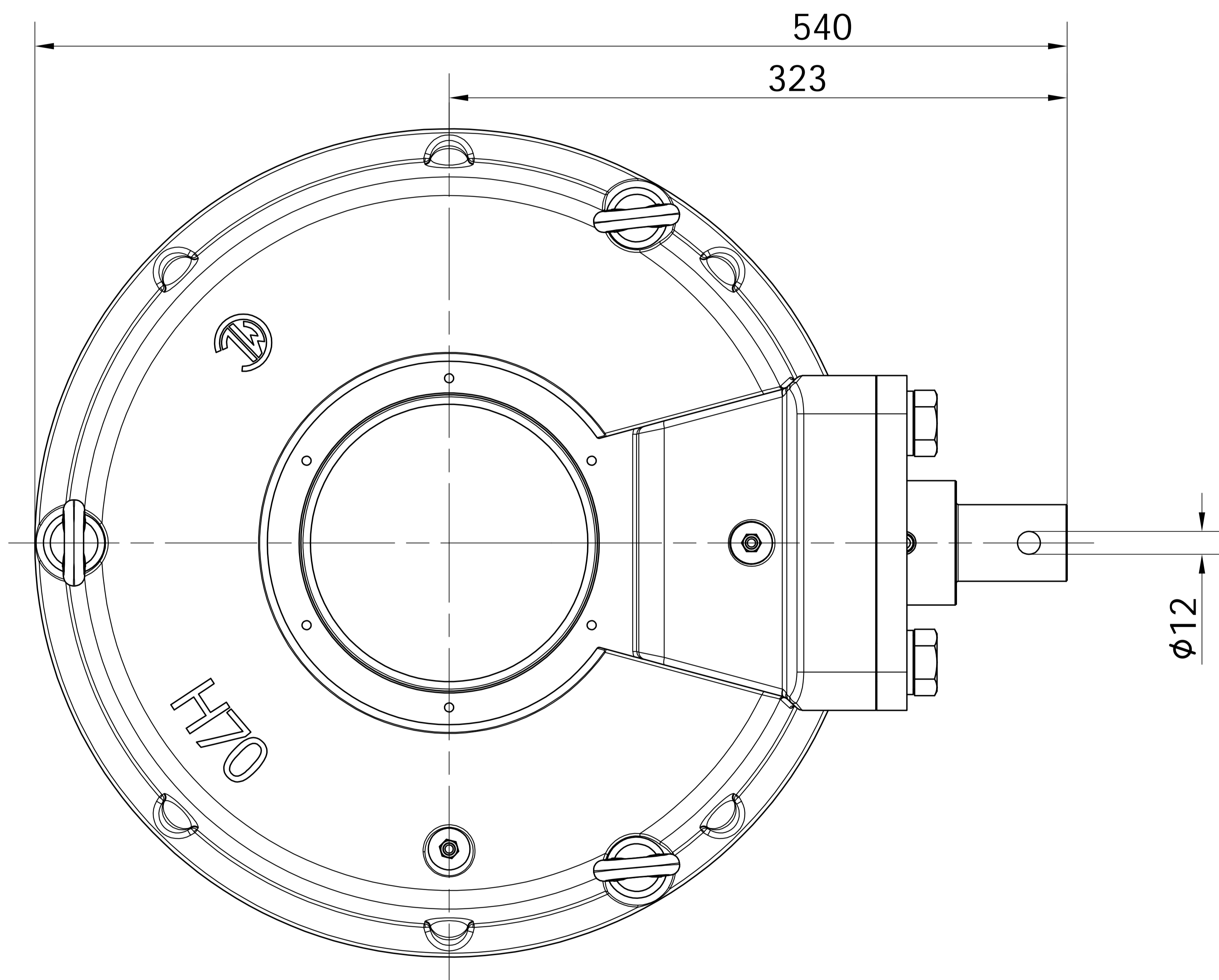
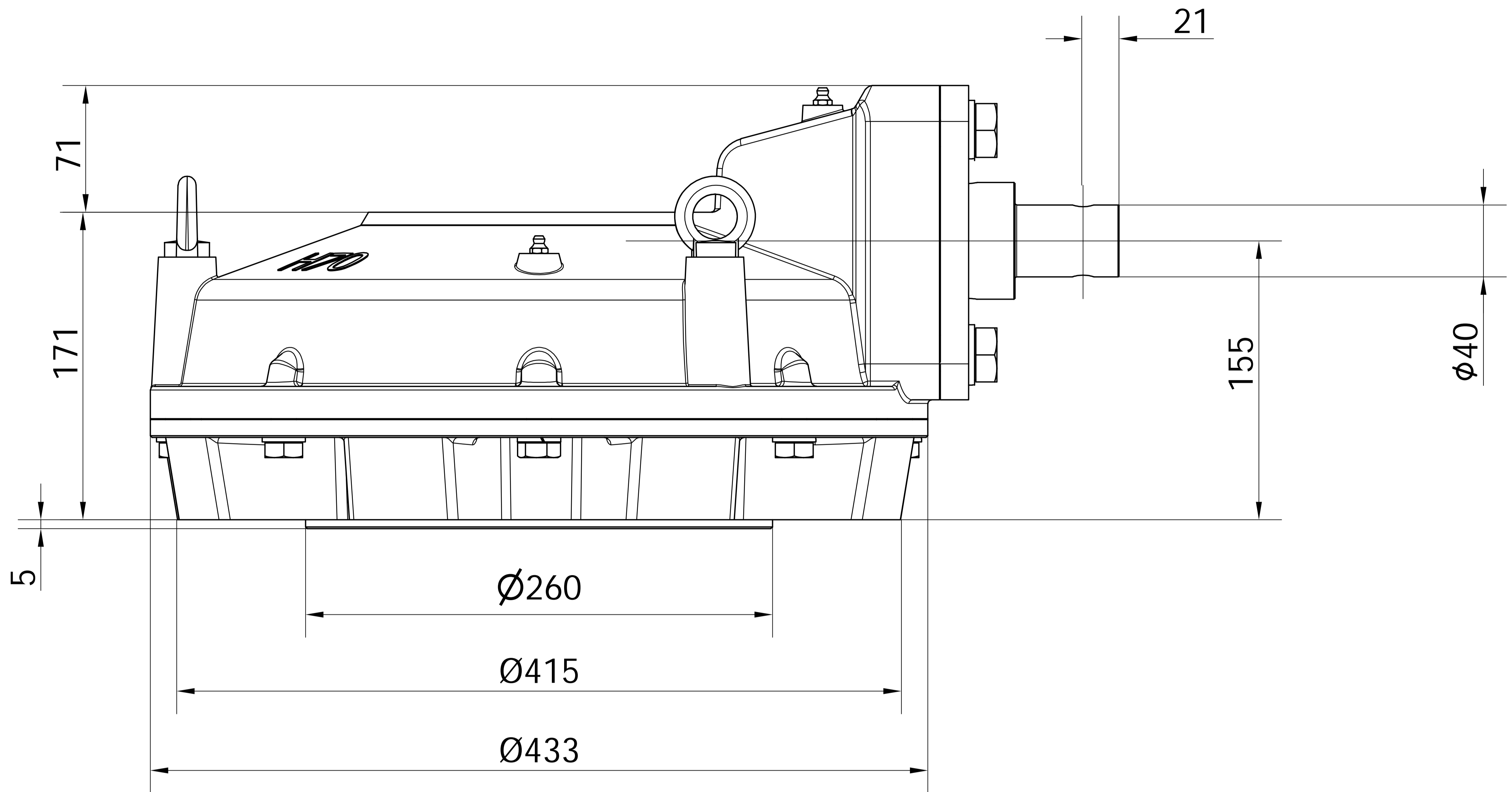


H70 MANUAL BEVEL GEAR



MOUNTING HOLE DETAILS:

ISO F35, DIN Gr.6..... 8x M30 ON P.C.D.356 [14.016in]

GENERAL INFORMATION

TYPE	MAX OUTPUT TORQUE	RATIO	M.A.	MAX INPUT TORQUE	MAX THRUST	APPROX.WEIGHT
H70	6.000 Nm / 53.100 in-lb	4.5 : 1	4.05	1481 Nm / 1093 Lbs	700 KN / 157.400 Lbs	115 Kg / 259 Lbs

**COSTRUZIONI
MECCANICHE
LEGNANESI unipersonale**
DIVISION OF REGAL-BELOIT CORPORATION

THIS DRAWING/DESIGN IS THE PROPERTY OF MASTERGEAR, AND MUST NOT BE USED WITHOUT THEIR SPECIFIC WRITTEN CONSENT©

DO NOT SCALE
APPROVED BY
DL

DRAWING No.
H70
01/02/17