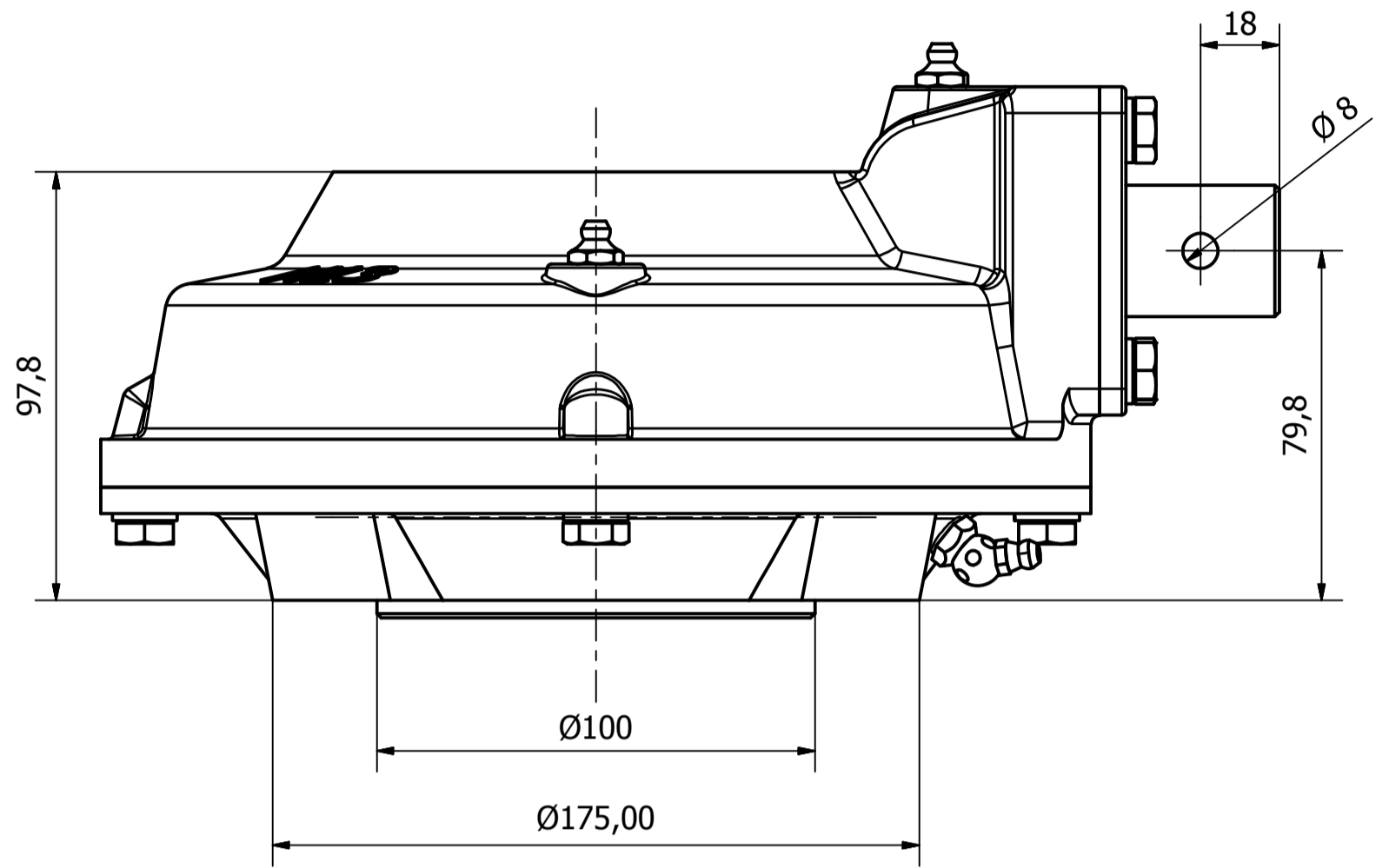
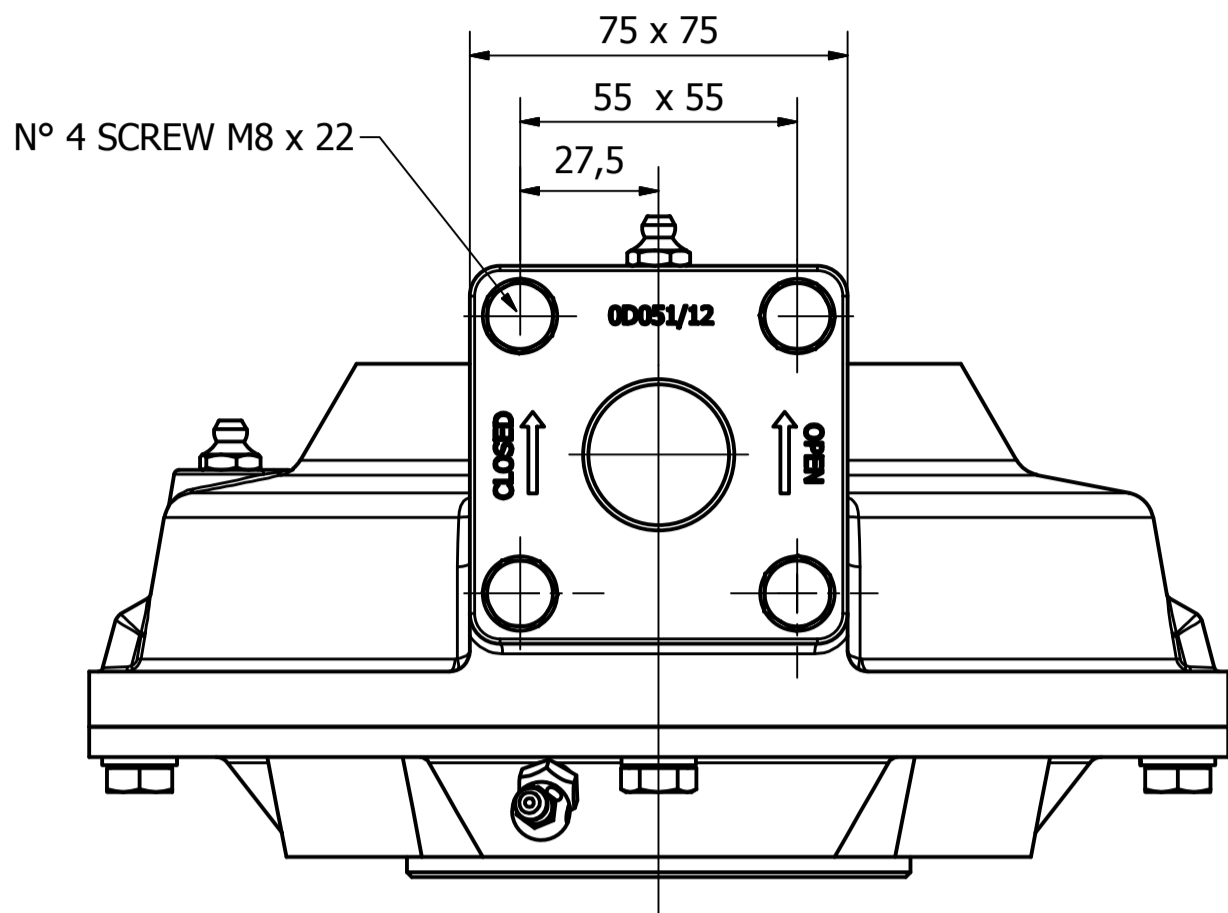
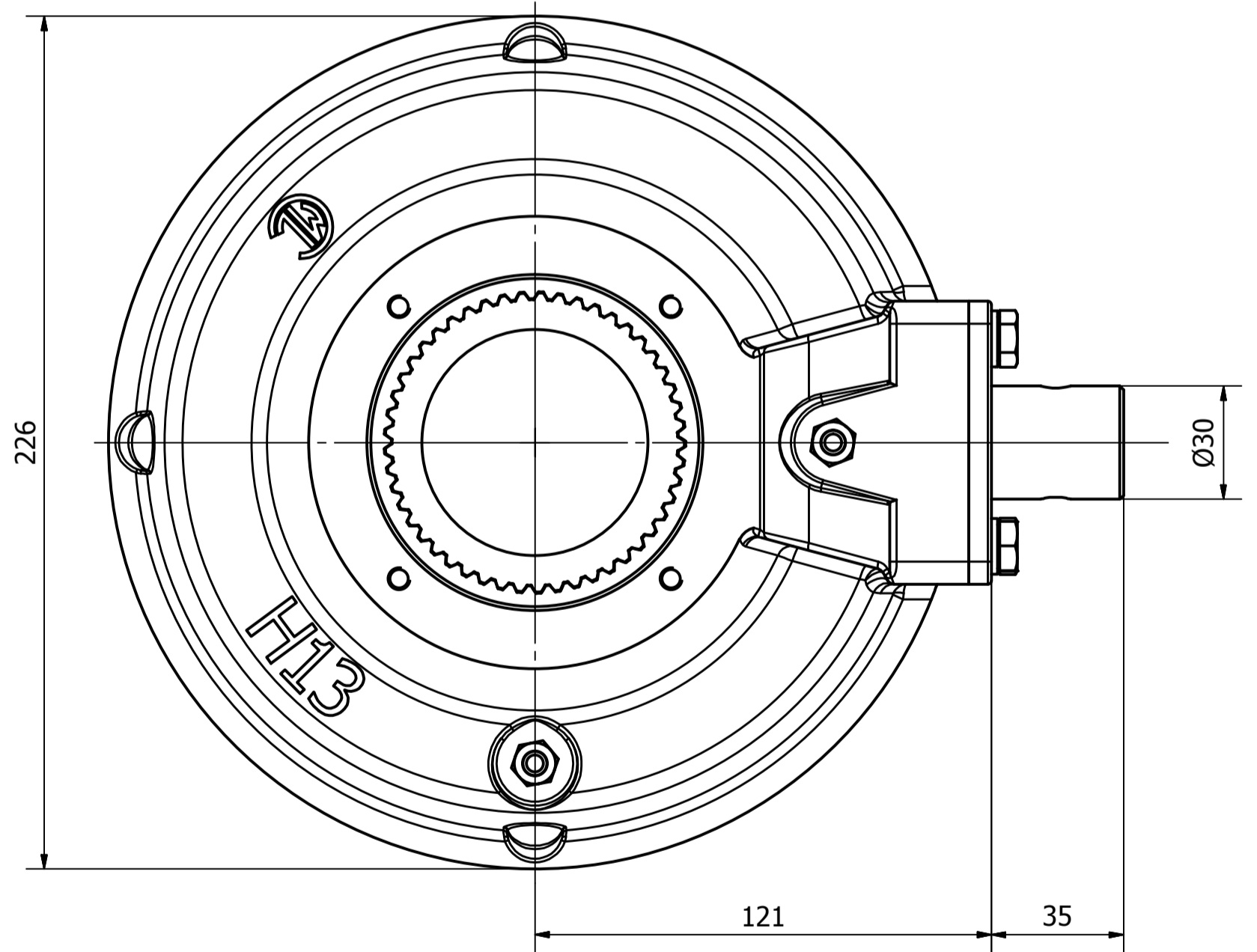
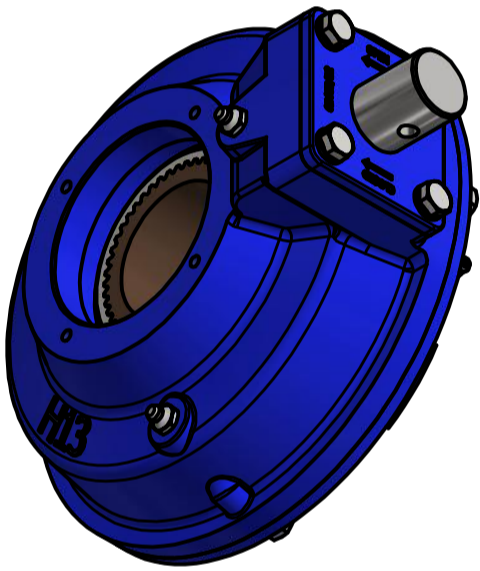


H13 BEVEL GEAR



VISTA39 (1 : 3)



MOUNTING HOLE DETAILS:

ISO F14 - DIN Gr.1/2..... 4x M16 ON P.C.D.140 [5.512in]
 MSS FA14..... 4x 5/8"-11 UNC ON P.C.D. 139.7 [5.50in]

GENERAL INFORMATION

TYPE	MAX OUTPUT TORQUE	RATIO	M.A.	MAX INPUT TORQUE	MAX THRUST	APPROX.WEIGHT
H13	600 Nm / 5.310 in-lb	4.5:1	4.05	148 Nm / 1.310 in-lb	135 KN / 30.350 Lbs	15 Kg / 33 Lbs



A rotork® Brand

THIS DRAWING/DESIGN IS THE PROPERTY OF MASTERGEAR, AND MUST NOT BE USED WITHOUT THEIR SPECIFIC WRITTEN CONSENT ©

DO NOT SCALE	DRAWING No. H13 MAN rev.1
APPROVED BY DL	08-29-14