

- Ⓢ LIFTING POINT ACTUATOR ONLY
- D ACCORDING TO VALVE FLANGE
- X PNEUMATIC CONNECTION
- NOTE 3 CONTROL PANEL INTERFACE ACCORDING TO : DWG. GD00198-040
- NOTE 2 COUPLING ACTUATOR INTERFACE ACCORDING TO : DWG. GD00198-030
- NOTE 1 MICROSWITCHES GROUP INTERFACE ACCORDING TO : DWG. GD00220

All dimensions are in mm



SINGLE ACTING PNEUMATIC ACTUATOR  
 FAIL TO OPEN c/w M  
 OVERALL DIMENSIONS

02	16.04.08	BERNINI	BARSOITI
01	27.10.05	BERNINI	BARSOITI
00	15.12.00	FERDENZI	PISARONI
rev.	date	drawn	check
OGPAEQ0ADC			

REPORTED ARE MAXIMUM DIMENSIONS - IT WILL BE CARE OF R.F.S. TO INFORM YOU IN CASE OF ANY DIMENSIONAL INCREASE.

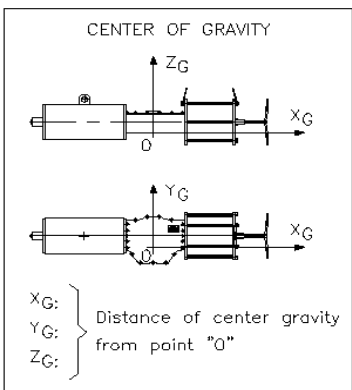
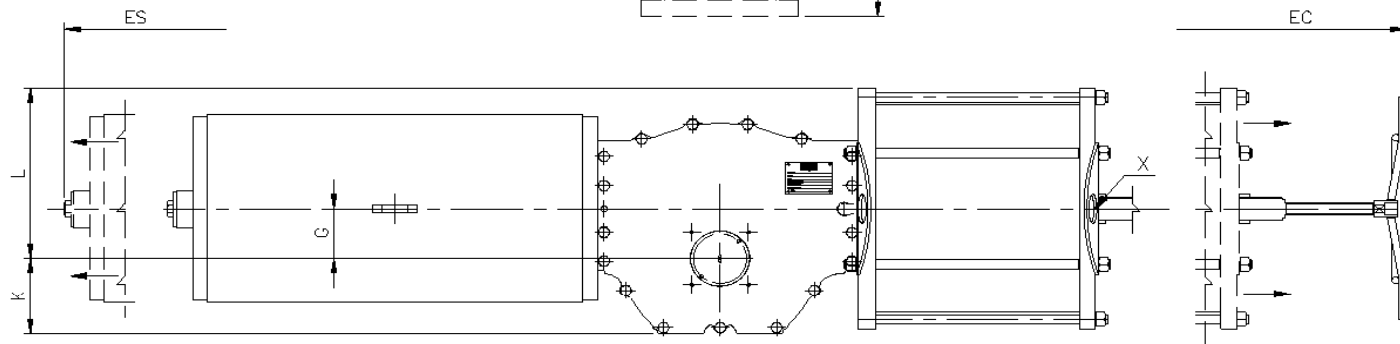
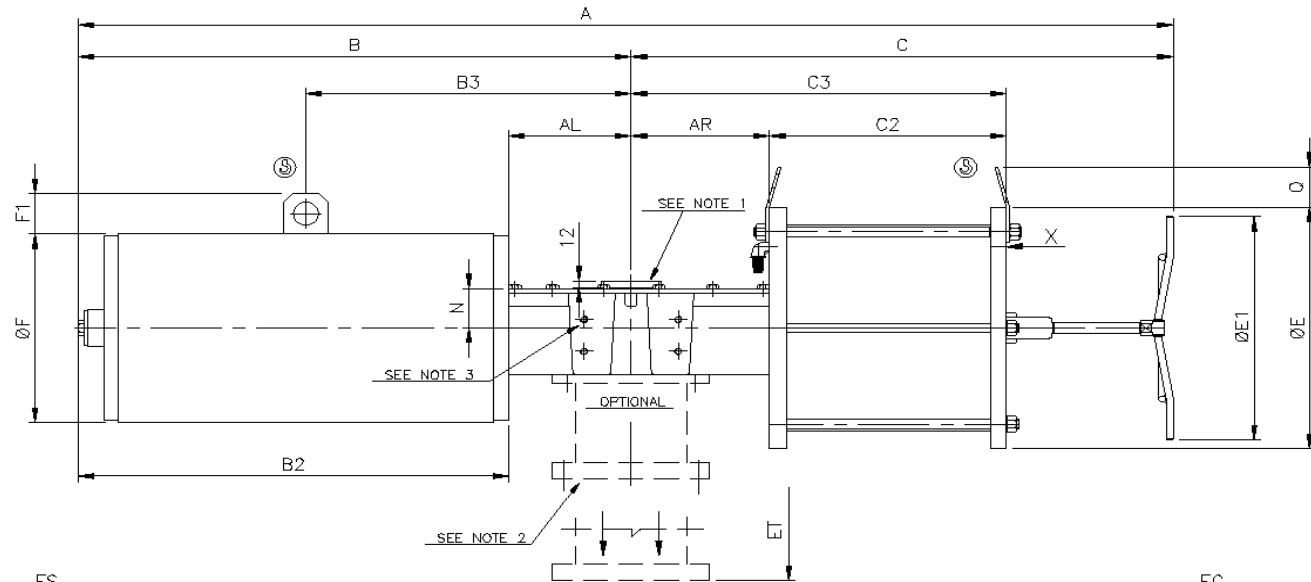
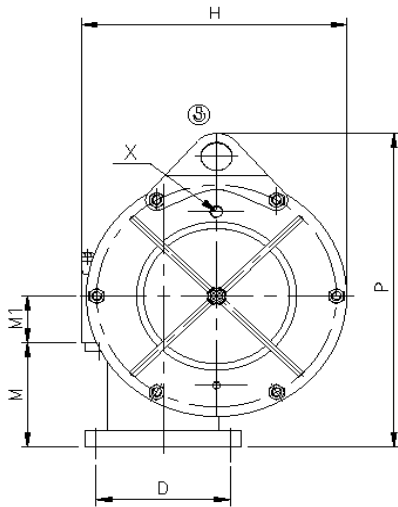


**GP RANGE METRIC DIMENSION DATA  
- SPRING RETURN FAIL OPEN + MANUAL OVERRIDE M- OGPAE00ADC REV.2**

ACTUATOR MODEL	ACTUATOR OVERALL DIMENSIONS (mm)																	CARTER		SPOOL * (OPTIONAL)			LIFTING POINT			CLEARANCE FOR DISASSEMBLY			DISPLACEMENT (LITRES)		X	weight	CENTER GRAVITY		
	A	B	C	B2	C2	ØE	ØE1	F	F1	G	H	K	L	N	P	Q	AL	AR	M1	M	Weight	B3	C3	ES	EC	ET	Simmetric	Canted	( NPT )	( Kg )	XG	ZG	YG		
GP-065*-180*/O1 M	1808	864	944	672.5	353	240	600	273	70	65	330	145	185	70	530	80	165	190	80	250	40	468	519	260	127	140	4.20	4.27	1/4"	181	-112.7	73.0	54.4		
GP-065*-235*/O1 M	1813	864	949	672.5	358	310	600	273	70	65	365	145	220	70	565	80	165	190	80	250	40	468	524	260	127	140	7.15	7.28	1/2"	212	-42.6	73.0	56.0		
GP-065*-280*/O1 M	1823	864	959	672.5	368	355	600	273	70	65	388	145	243	70	588	80	165	190	80	250	40	468	534	260	127	140	10.16	10.34	1/2"	238	4.5	73.0	57.0		
GP-065*-335*/O1 M	1833	864	969	672.5	378	415	600	273	70	65	418	145	273	70	608	70	165	190	80	250	40	468	544	260	127	140	14.52	14.78	1/2"	283	69.7	73.0	58.4		
GP-065*-385*/O1 M	1836	864	972	672.5	381	465	600	273	70	65	443	145	298	70	643	80	165	190	80	250	40	468	547	260	127	140	19.21	19.56	1"	320	108.4	73.0	59.1		
GP-065*-435*/O1 M	1841	864	977	672.5	386	515	600	273	70	65	468	145	323	70	668	80	165	190	80	250	40	468	552	260	127	140	24.50	24.95	1"	366	145.5	73.0	59.9		
GP-065*-485*/O1 M	1846	864	982	672.5	391	570	600	273	70	65	495	145	350	70	695	80	165	190	80	250	40	468	557	260	127	140	30.47	31.02	1"	421	179.5	73.0	60.6		
GP-065*-180*/O2 M	1808	864	944	672.5	353	240	600	273	70	65	330	145	185	70	530	80	165	190	80	250	40	468	519	260	127	140	4.20	4.27	1/4"	190	-132.3	73.0	54.9		
GP-065*-235*/O2 M	1813	864	949	672.5	358	310	600	273	70	65	365	145	220	70	565	80	165	190	80	250	40	468	524	260	127	140	7.15	7.28	1/2"	221	-62.3	73.0	56.4		
GP-065*-280*/O2 M	1823	864	959	672.5	368	355	600	273	70	65	388	145	243	70	588	80	165	190	80	250	40	468	534	260	127	140	10.16	10.34	1/2"	247	-14.8	73.0	57.3		
GP-065*-335*/O2 M	1833	864	969	672.5	378	415	600	273	70	65	418	145	273	70	608	70	165	190	80	250	40	468	544	260	127	140	14.52	14.78	1/2"	292	51.3	73.0	58.6		
GP-065*-385*/O2 M	1836	864	972	672.5	381	465	600	273	70	65	443	145	298	70	643	80	165	190	80	250	40	468	547	260	127	140	19.21	19.56	1"	329	91.0	73.0	59.3		
GP-065*-435*/O2 M	1841	864	977	672.5	386	515	600	273	70	65	468	145	323	70	668	80	165	190	80	250	40	468	552	260	127	140	24.50	24.95	1"	375	129.4	73.0	60.0		
GP-065*-485*/O2 M	1846	864	982	672.5	391	570	600	273	70	65	495	145	350	70	695	80	165	190	80	250	40	468	557	260	127	140	30.47	31.02	1"	430	164.7	73.0	60.7		
GP-065*-180*/O3 M	1751	807	944	615.5	353	240	600	323.9	70	65	330	145	185	70	530	80	165	190	80	250	40	487	519	260	127	140	4.20	4.27	1/4"	241	-199.6	73.0	57.1		
GP-065*-235*/O3 M	1756	807	949	615.5	358	310	600	323.9	70	65	365	145	220	70	565	80	165	190	80	250	40	487	524	260	127	140	7.15	7.28	1/2"	272	-135.1	73.0	58.1		
GP-065*-280*/O3 M	1766	807	959	615.5	368	355	600	323.9	70	65	388	145	243	70	588	80	165	190	80	250	40	487	534	260	127	140	10.16	10.34	1/2"	298	-89.3	73.0	58.7		
GP-065*-335*/O3 M	1776	807	969	615.5	378	415	600	323.9	70	65	418	145	273	70	608	70	165	190	80	250	40	487	544	260	127	140	14.52	14.78	1/2"	343	-23.2	73.0	59.5		
GP-065*-385*/O3 M	1779	807	972	615.5	381	465	600	323.9	70	65	443	145	298	70	643	80	165	190	80	250	40	487	547	260	127	140	19.21	19.56	1"	380	18.4	73.0	60.1		
GP-065*-435*/O3 M	1784	807	977	615.5	386	515	600	323.9	70	65	468	145	323	70	668	80	165	190	80	250	40	487	552	260	127	140	24.50	24.95	1"	426	60.0	73.0	60.6		
GP-065*-485*/O3 M	1789	807	982	615.5	391	570	600	323.9	70	65	495	145	350	70	695	80	165	190	80	250	40	487	557	260	127	140	30.47	31.02	1"	481	99.5	73.0	61.1		
GP-065*-180*/O4 M	1722	778	944	586.5	353	240	600	323.9	70	65	330	145	185	70	530	80	165	190	80	250	40	473	519	260	127	140	4.20	4.27	1/4"	240	-190.2	73.0	57.1		
GP-065*-235*/O4 M	1727	778	949	586.5	358	310	600	323.9	70	65	365	145	220	70	565	80	165	190	80	250	40	473	524	260	127	140	7.15	7.28	1/2"	271	-126.5	73.0	58.0		
GP-065*-280*/O4 M	1737	778	959	586.5	368	355	600	323.9	70	65	388	145	243	70	588	80	165	190	80	250	40	473	534	260	127	140	10.16	10.34	1/2"	297	-81.4	73.0	58.7		
GP-065*-335*/O4 M	1747	778	969	586.5	378	415	600	323.9	70	65	418	145	273	70	608	70	165	190	80	250	40	473	544	260	127	140	14.52	14.78	1/2"	342	-16.1	73.0	59.5		
GP-065*-385*/O4 M	1750	778	972	586.5	381	465	600	323.9	70	65	443	145	298	70	643	80	165	190	80	250	40	473	547	260	127	140	19.21	19.56	1"	379	24.9	73.0	60.1		
GP-065*-435*/O4 M	1755	778	977	586.5	386	515	600	323.9	70	65	468	145	323	70	668	80	165	190	80	250	40	473	552	260	127	140	24.50	24.95	1"	425	65.9	73.0	60.6		
GP-065*-485*/O4 M	1760	778	982	586.5	391	570	600	323.9	70	65	495	145	350	70	695	80	165	190	80	250	40	473	557	260	127	140	30.47	31.02	1"	480	104.8	73.0	61.1		

GP 065  
- CARTER CARBON STEEL - FLANGE TYPE ISO F25





- ⊕ LIFTING POINT ACTUATOR ONLY
- D ACCORDING TO VALVE FLANGE
- X PNEUMATIC CONNECTION
- NOTE 3 CONTROL PANEL INTERFACE ACCORDING TO : DWG. GD00198-040
- NOTE 2 COUPLING ACTUATOR INTERFACE ACCORDING TO : DWG. GD00198-030
- NOTE 1 MICROSWITCHES GROUP INTERFACE ACCORDING TO : DWG. GD00220

All dimensions are in mm



SINGLE ACTING PNEUMATIC ACTUATOR  
 FAIL TO CLOSE c/w M  
 OVERALL DIMENSIONS

02	16.04.08	BERNINI	BARSOITI
01	08.06.05	BERNINI	BARSOITI
00	03.02.00	FERDENZI	PISARONI
rev.	date	drawn	check
OGPCE00ADC			

REPORTED ARE MAXIMUM DIMENSIONS - IT WILL BE CARE OF R.F.S. TO INFORM YOU IN CASE OF ANY DIMENSIONAL INCREASE



**GP RANGE METRIC DIMENSION DATA**  
**- SPRING RETURN FAIL CLOSE + MANUAL OVERRIDE M - OGPCE00ADC REV.2**

ACTUATOR MODEL	ACTUATOR OVERALL DIMENSIONS (mm)																CARTER		SPOOL * (OPTIONAL)			LIFTING POINT			CLEARANCE FOR DISASSEMBLY			DISPLACEMENT (LITRES)		X	weight	CENTER GRAVITY		
	A	B	C	B2	C2	ØE	ØE1	F	F1	G	H	K	L	N	P	Q	AL	AR	M1	M	Weight	B3	C3	ES	EC	ET	Simmetric	Canted	(NPT)	(Kg)	XG	ZG	YG	
GP-065*-180*/C1 M	1808	839	969	672.5	353	240	600	273	70	65	330	145	185	70	530	80	165	190	80	250	40	443	544	260	127	140	4.20	4.27	1/4"	181	-91.5	73.0	54.4	
GP-065*-235*/C1 M	1813	839	974	672.5	358	310	600	273	70	65	365	145	220	70	565	80	165	190	80	250	40	443	549	260	127	140	7.15	7.28	1/2"	212	-20.9	73.0	56.0	
GP-065*-280*/C1 M	1823	839	984	672.5	368	355	600	273	70	65	388	145	243	70	588	80	165	190	80	250	40	443	559	260	127	140	10.16	10.34	1/2"	238	26.7	73.0	57.0	
GP-065*-335*/C1 M	1833	839	994	672.5	378	415	600	273	70	65	418	145	273	70	608	70	165	190	80	250	40	443	569	260	127	140	14.52	14.78	1/2"	283	92.3	73.0	58.4	
GP-065*-385*/C1 M	1836	839	997	672.5	381	465	600	273	70	65	443	145	298	70	643	80	165	190	80	250	40	443	572	260	127	140	19.21	19.56	1"	320	131.2	73.0	59.1	
GP-065*-435*/C1 M	1841	839	1002	672.5	386	515	600	273	70	65	468	145	323	70	668	80	165	190	80	250	40	443	577	260	127	140	24.50	24.95	1"	366	168.7	73.0	59.9	
GP-065*-485*/C1 M	1846	839	1007	672.5	391	570	600	273	70	65	495	145	350	70	695	80	165	190	80	250	40	443	582	260	127	140	30.47	31.02	1"	421	202.8	73.0	60.6	
GP-065*-180*/C2 M	1808	839	969	672.5	353	240	600	273	70	65	330	145	185	70	530	80	165	190	80	250	40	443	544	260	127	140	4.20	4.27	1/4"	190	-110.9	73.0	54.9	
GP-065*-235*/C2 M	1813	839	974	672.5	358	310	600	273	70	65	365	145	220	70	565	80	165	190	80	250	40	443	549	260	127	140	7.15	7.28	1/2"	221	-40.4	73.0	56.4	
GP-065*-280*/C2 M	1823	839	984	672.5	368	355	600	273	70	65	388	145	243	70	588	80	165	190	80	250	40	443	559	260	127	140	10.16	10.34	1/2"	247	7.4	73.0	57.3	
GP-065*-335*/C2 M	1833	839	994	672.5	378	415	600	273	70	65	418	145	273	70	608	70	165	190	80	250	40	443	569	260	127	140	14.52	14.78	1/2"	292	74.0	73.0	58.6	
GP-065*-385*/C2 M	1836	839	997	672.5	381	465	600	273	70	65	443	145	298	70	643	80	165	190	80	250	40	443	572	260	127	140	19.21	19.56	1"	329	113.9	73.0	59.3	
GP-065*-435*/C2 M	1841	839	1002	672.5	386	515	600	273	70	65	468	145	323	70	668	80	165	190	80	250	40	443	577	260	127	140	24.50	24.95	1"	375	152.6	73.0	60.0	
GP-065*-485*/C2 M	1846	839	1007	672.5	391	570	600	273	70	65	495	145	350	70	695	80	165	190	80	250	40	443	582	260	127	140	30.47	31.02	1"	430	188.1	73.0	60.7	
GP-065*-180*/C3 M	1751	782	969	615.5	353	240	600	323.9	70	65	330	145	185	70	530	80	165	190	80	250	40	462	544	260	127	140	4.20	4.27	1/4"	241	-177.4	73.0	57.1	
GP-065*-235*/C3 M	1756	782	974	615.5	358	310	600	323.9	70	65	365	145	220	70	565	80	165	190	80	250	40	462	549	260	127	140	7.15	7.28	1/2"	272	-112.6	73.0	58.1	
GP-065*-280*/C3 M	1766	782	984	615.5	368	355	600	323.9	70	65	388	145	243	70	588	80	165	190	80	250	40	462	559	260	127	140	10.16	10.34	1/2"	298	-66.6	73.0	58.7	
GP-065*-335*/C3 M	1776	782	994	615.5	378	415	600	323.9	70	65	418	145	273	70	608	70	165	190	80	250	40	462	569	260	127	140	14.52	14.78	1/2"	343	-0.2	73.0	59.5	
GP-065*-385*/C3 M	1779	782	997	615.5	381	465	600	323.9	70	65	443	145	298	70	643	80	165	190	80	250	40	462	572	260	127	140	19.21	19.56	1"	380	41.6	73.0	60.1	
GP-065*-435*/C3 M	1784	782	1002	615.5	386	515	600	323.9	70	65	468	145	323	70	668	80	165	190	80	250	40	462	577	260	127	140	24.50	24.95	1"	426	83.4	73.0	60.6	
GP-065*-485*/C3 M	1789	782	1007	615.5	391	570	600	323.9	70	65	495	145	350	70	695	80	165	190	80	250	40	462	582	260	127	140	30.47	31.02	1"	481	123.1	73.0	61.1	
GP-065*-180*/C4 M	1722	753	969	586.5	353	240	600	323.9	70	65	330	145	185	70	530	80	165	190	80	250	40	448	544	260	127	140	4.20	4.27	1/4"	240	-168.1	73.0	57.1	
GP-065*-235*/C4 M	1727	753	974	586.5	358	310	600	323.9	70	65	365	145	220	70	565	80	165	190	80	250	40	448	549	260	127	140	7.15	7.28	1/2"	271	-104.0	73.0	58.0	
GP-065*-280*/C4 M	1737	753	984	586.5	368	355	600	323.9	70	65	388	145	243	70	588	80	165	190	80	250	40	448	559	260	127	140	10.16	10.34	1/2"	297	-58.7	73.0	58.7	
GP-065*-335*/C4 M	1747	753	994	586.5	378	415	600	323.9	70	65	418	145	273	70	608	70	165	190	80	250	40	448	569	260	127	140	14.52	14.78	1/2"	342	6.9	73.0	59.5	
GP-065*-385*/C4 M	1750	753	997	586.5	381	465	600	323.9	70	65	443	145	298	70	643	80	165	190	80	250	40	448	572	260	127	140	19.21	19.56	1"	379	48.1	73.0	60.1	
GP-065*-435*/C4 M	1755	753	1002	586.5	386	515	600	323.9	70	65	468	145	323	70	668	80	165	190	80	250	40	448	577	260	127	140	24.50	24.95	1"	425	89.3	73.0	60.6	
GP-065*-485*/C4 M	1760	753	1007	586.5	391	570	600	323.9	70	65	495	145	350	70	695	80	165	190	80	250	40	448	582	260	127	140	30.47	31.02	1"	480	128.4	73.0	61.1	

GP 065  
- CARTER CARBON STEEL - FLANGE TYPE ISO F25

