

- Ⓢ LIFTING POINT ACTUATOR ONLY
- D ACCORDING TO VALVE FLANGE
- X PNEUMATIC CONNECTION
- NOTE 3 CONTROL PANEL INTERFACE ACCORDING TO : DWG. GD00198-040
- NOTE 2 COUPLING ACTUATOR INTERFACE ACCORDING TO : DWG. GD00198-030
- NOTE 1 MICROSWITCHES GROUP INTERFACE ACCORDING TO : DWG. GD00220

All dimensions are in mm



SINGLE ACTING PNEUMATIC ACTUATOR
 FAIL TO OPEN c/w HPA
 OVERALL DIMENSIONS

02	16.04.08	BERNINI	BARSOZZI
01	25.10.05	BERNINI	BARSOZZI
00	05.12.00	FERDENZI	PISARONI
rev.	date	drawn	check

OGPAHQ0ADC

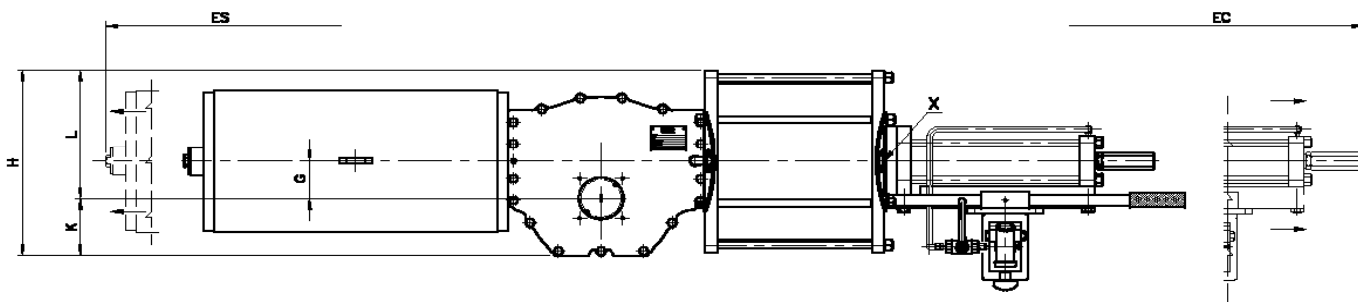
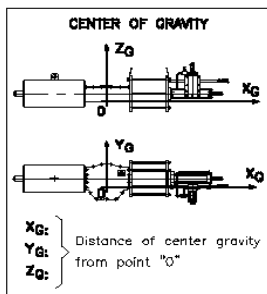
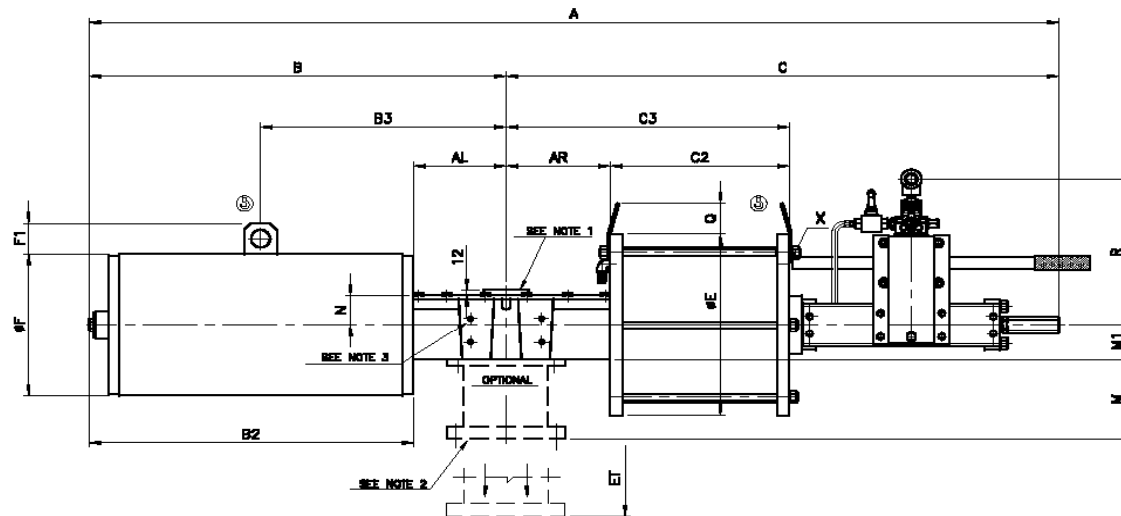
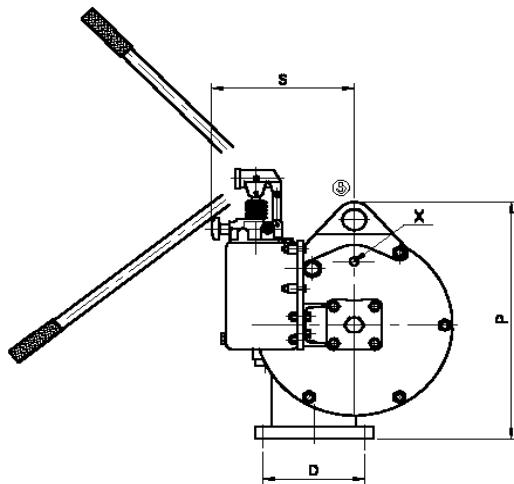
REPORTED ARE MAXIMUM DIMENSIONS - IT WILL BE CARE OF R.F.S. TO INFORM YOU IN CASE OF ANY DIMENSIONAL INCREASE



**GP RANGE METRIC DIMENSION DATA
- SPRING RETURN FAIL OPEN + MANUAL OVERRIDE HPA - OGPAA00ADC REV.2**

ACTUATOR MODEL	ACTUATOR OVERALL DIMENSIONS (mm)																	CARTER		SPOOL * (OPTIONAL)			LIFTING POINT		CLEARANCE FOR DISASSEMBLY			DISPLACEMENT (LITRES)		X	weight	CENTER GRAVITY		
	A	B	C	B2	C2	ØE	F	F1	G	H	K	L	N	P	Q	R	S	AL	AR	M1	M	Weight	B3	C3	ES	EC	ET	Simmetric	Canted	(NPT)	(Kg)	XG	ZG	YG
GP-065-180/O1 HPA	1952	864	1088	672.5	353	240	273	70	65	365	145	185	70	370	80	350	305	165	190	80	90	14	468	519	260	127	140	4.20	4.27	1/4"	209	-27.9	73.0	54.4
GP-065-235/O1 HPA	1957	864	1093	672.5	358	310	273	70	65	365	145	220	70	405	80	350	305	165	190	80	90	14	468	524	260	127	140	7.15	7.28	1/2"	240	23.6	73.0	56.0
GP-065-280/O1 HPA	1967	864	1103	672.5	368	355	273	70	65	388	145	243	70	478	80	350	305	165	190	80	140	18	468	534	260	127	140	10.16	10.34	1/2"	266	60.4	73.0	57.0
GP-065-335/O1 HPA	1977	864	1113	672.5	378	415	273	70	65	418	145	273	70	498	70	350	305	165	190	80	140	18	468	544	260	127	140	14.52	14.78	1/2"	311	112.6	73.0	58.4
GP-065-385/O1 HPA	1980	864	1116	672.5	381	465	273	70	65	443	145	298	70	583	80	350	305	165	190	80	190	25	468	547	260	127	140	19.21	19.56	1"	348	143.8	73.0	59.1
GP-065-435/O1 HPA	1985	864	1121	672.5	386	515	273	70	65	468	145	323	70	608	80	350	305	165	190	80	190	25	468	552	260	127	140	24.50	24.95	1"	394	174.5	73.0	59.9
GP-065-485/O1 HPA	1990	864	1126	672.5	391	570	273	70	65	495	145	350	70	665	80	350	305	165	190	80	220	32	468	557	260	127	140	30.47	31.02	1"	449	203.1	73.0	60.6
GP-065-180/O2 HPA	1952	864	1088	672.5	353	240	273	70	65	330	145	185	70	370	80	350	305	165	190	80	90	14	468	519	260	127	140	4.20	4.27	1/4"	218	-48.5	73.0	54.9
GP-065-235/O2 HPA	1957	864	1093	672.5	358	310	273	70	65	365	145	220	70	405	80	350	305	165	190	80	90	14	468	524	260	127	140	7.15	7.28	1/2"	249	3.8	73.0	56.4
GP-065-280/O2 HPA	1967	864	1103	672.5	368	355	273	70	65	388	145	243	70	478	80	350	305	165	190	80	140	18	468	534	260	127	140	10.16	10.34	1/2"	275	41.2	73.0	57.3
GP-065-335/O2 HPA	1977	864	1113	672.5	378	415	273	70	65	418	145	273	70	498	70	350	305	165	190	80	140	18	468	544	260	127	140	14.52	14.78	1/2"	320	94.6	73.0	58.6
GP-065-385/O2 HPA	1980	864	1116	672.5	381	465	273	70	65	443	145	298	70	583	80	350	305	165	190	80	190	25	468	547	260	127	140	19.21	19.56	1"	357	126.9	73.0	59.3
GP-065-435/O2 HPA	1985	864	1121	672.5	386	515	273	70	65	468	145	323	70	608	80	350	305	165	190	80	190	25	468	552	260	127	140	24.50	24.95	1"	403	158.9	73.0	60.0
GP-065-485/O2 HPA	1990	864	1126	672.5	391	570	273	70	65	495	145	350	70	665	80	350	305	165	190	80	220	32	468	557	260	127	140	30.47	31.02	1"	458	188.8	73.0	60.7
GP-065-180/O3 HPA	1895	807	1088	615.5	353	240	323.9	70	65	330	145	185	70	370	80	350	305	165	190	80	90	14	487	519	260	127	140	4.20	4.27	1/4"	269	-124.6	73.0	57.1
GP-065-235/O3 HPA	1900	807	1093	615.5	358	310	323.9	70	65	365	145	220	70	405	80	350	305	165	190	80	90	14	487	524	260	127	140	7.15	7.28	1/2"	300	-73.4	73.0	58.1
GP-065-280/O3 HPA	1910	807	1103	615.5	368	355	323.9	70	65	388	145	243	70	478	80	350	305	165	190	80	140	18	487	534	260	127	140	10.16	10.34	1/2"	326	-35.7	73.0	58.7
GP-065-335/O3 HPA	1920	807	1113	615.5	378	415	323.9	70	65	418	145	273	70	498	70	350	305	165	190	80	140	18	487	544	260	127	140	14.52	14.78	1/2"	371	19.7	73.0	59.5
GP-065-385/O3 HPA	1923	807	1116	615.5	381	465	323.9	70	65	443	145	298	70	583	80	350	305	165	190	80	190	25	487	547	260	127	140	19.21	19.56	1"	408	54.8	73.0	60.1
GP-065-435/O3 HPA	1928	807	1121	615.5	386	515	323.9	70	65	468	145	323	70	608	80	350	305	165	190	80	190	25	487	552	260	127	140	24.50	24.95	1"	454	90.5	73.0	60.6
GP-065-485/O3 HPA	1933	807	1126	615.5	391	570	323.9	70	65	495	145	350	70	665	80	350	305	165	190	80	220	32	487	557	260	127	140	30.47	31.02	1"	509	124.8	73.0	61.1
GP-065-180/O4 HPA	1866	778	1088	586.5	353	240	323.9	70	65	330	145	185	70	370	80	350	305	165	190	80	90	14	473	519	260	127	140	4.20	4.27	1/4"	268	-115.9	73.0	57.1
GP-065-235/O4 HPA	1871	778	1093	586.5	358	310	323.9	70	65	365	145	220	70	405	80	350	305	165	190	80	90	14	473	524	260	127	140	7.15	7.28	1/2"	299	-65.4	73.0	58.0
GP-065-280/O4 HPA	1881	778	1103	586.5	368	355	323.9	70	65	388	145	243	70	478	80	350	305	165	190	80	140	18	473	534	260	127	140	10.16	10.34	1/2"	325	-28.2	73.0	58.7
GP-065-335/O4 HPA	1891	778	1113	586.5	378	415	323.9	70	65	418	145	273	70	498	70	350	305	165	190	80	140	18	473	544	260	127	140	14.52	14.78	1/2"	370	26.4	73.0	59.5
GP-065-385/O4 HPA	1894	778	1116	586.5	381	465	323.9	70	65	443	145	298	70	583	80	350	305	165	190	80	190	25	473	547	260	127	140	19.21	19.56	1"	407	60.9	73.0	60.1
GP-065-435/O4 HPA	1899	778	1121	586.5	386	515	323.9	70	65	468	145	323	70	608	80	350	305	165	190	80	190	25	473	552	260	127	140	24.50	24.95	1"	453	96.1	73.0	60.6
GP-065-485/O4 HPA	1904	778	1126	586.5	391	570	323.9	70	65	495	145	350	70	665	80	350	305	165	190	80	220	32	473	557	260	127	140	30.47	31.02	1"	508	129.8	73.0	61.1

GP 065
- CARTER CARBON STEEL - FLANGE TYPE ISO F25



- Ⓢ LIFTING POINT ACTUATOR ONLY
- D ACCORDING TO VALVE FLANGE
- X PNEUMATIC CONNECTION
- NOTE 3 CONTROL PANEL INTERFACE ACCORDING TO : DWG. GD00198-040
- NOTE 2 COUPLING ACTUATOR INTERFACE ACCORDING TO : DWG. GD00198-030
- NOTE 1 MICROSWITCHES GROUP INTERFACE ACCORDING TO : DWG. GD00220

All dimensions are in mm



SINGLE ACTING PNEUMATIC ACTUATOR
FAIL TO CLOSE c/w HPA
OVERALL DIMENSIONS

02	16.04.08	BERNINI	BARSAOTTI
01	25.10.05	BERNINI	BARSAOTTI
00	05.12.00	FERDENZI	PISARONI
rev.	date	drawn	check
OGPCH00ADC			

REPORTED ARE MAXIMUM DIMENSIONS - IT WILL BE CARE OF R.F.S. TO INFORM YOU IN CASE OF ANY DIMENSIONAL INCREASE



GP RANGE METRIC DIMENSION DATA
- SPRING RETURN FAIL CLOSE+ MANUAL OVERRIDE HPA - OGPCH00ADC REV.2

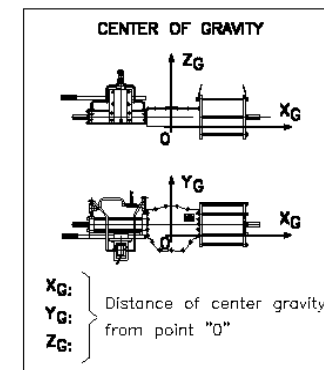
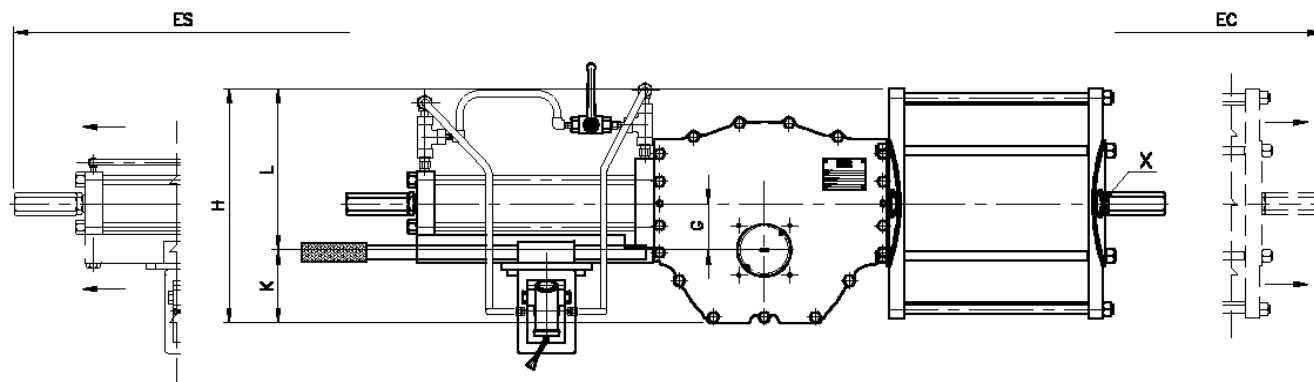
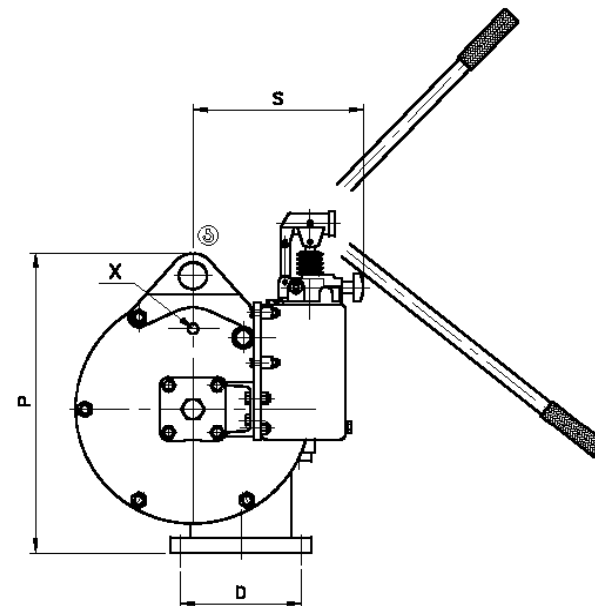
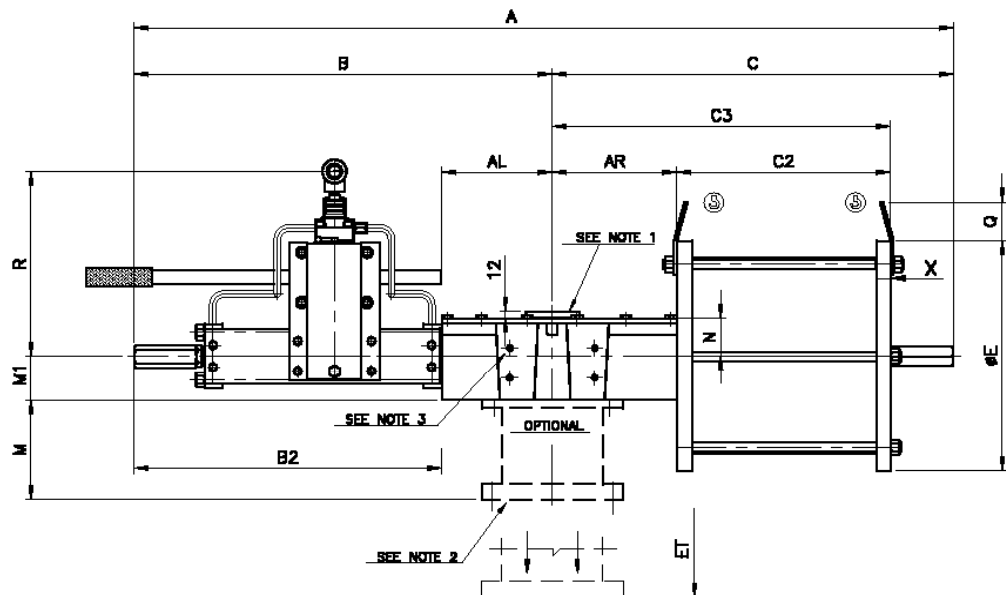
ACTUATOR MODEL	ACTUATOR OVERALL DIMENSIONS (mm)																CARTER		SPOOL * (OPTIONAL)			LIFTING POINT			CLEARANCE FOR DISASSEMBLY			DISPLACEMENT (LITRES)		X	weight	CENTER GRAVITY		
	A	B	C	B2	C2	ØE	F	F1	G	H	K	L	N	P	Q	R	S	AL	AR	M1	M	Weight	B3	C3	ES	EC	ET	Simmetric	Canted	(NPT)	(Kg)	XG	ZG	YG
GP-065*-180*/C1 HPA	1952	839	1113	672.5	353	240	273	70	65	330	145	185	70	370	80	350	325	165	190	80	90	14	443	544	260	127	140	4.20	4.27	1/4"	209	-6.2	73.0	54.4
GP-065*-235*/C1 HPA	1957	839	1118	672.5	358	310	273	70	65	365	145	220	70	405	80	350	325	165	190	80	90	14	443	549	260	127	140	7.15	7.28	1/2"	240	45.8	73.0	56.0
GP-065*-280*/C1 HPA	1967	839	1128	672.5	368	355	273	70	65	388	145	243	70	478	80	350	325	165	190	80	140	18	443	559	260	127	140	10.16	10.34	1/2"	266	82.9	73.0	57.0
GP-065*-335*/C1 HPA	1977	839	1138	672.5	378	415	273	70	65	418	145	273	70	498	70	350	325	165	190	80	140	18	443	569	260	127	140	14.52	14.78	1/2"	311	135.3	73.0	58.4
GP-065*-385*/C1 HPA	1980	839	1141	672.5	381	465	273	70	65	443	145	298	70	583	80	350	325	165	190	80	190	25	443	572	260	127	140	19.21	19.56	1"	348	166.8	73.0	59.1
GP-065*-435*/C1 HPA	1985	839	1146	672.5	386	515	273	70	65	468	145	323	70	608	80	350	325	165	190	80	190	25	443	577	260	127	140	24.50	24.95	1"	394	197.8	73.0	59.9
GP-065*-485*/C1 HPA	1990	839	1151	672.5	391	570	273	70	65	495	145	350	70	665	80	350	325	165	190	80	220	32	443	582	260	127	140	30.47	31.02	1"	449	226.6	73.0	60.6
GP-065*-180*/C2 HPA	1952	839	1113	672.5	353	240	273	70	65	330	145	185	70	370	80	350	325	165	190	80	90	14	443	544	260	127	140	4.20	4.27	1/4"	218	-26.6	73.0	54.9
GP-065*-235*/C2 HPA	1957	839	1118	672.5	358	310	273	70	65	365	145	220	70	405	80	350	325	165	190	80	90	14	443	549	260	127	140	7.15	7.28	1/2"	249	26.0	73.0	56.4
GP-065*-280*/C2 HPA	1967	839	1128	672.5	368	355	273	70	65	388	145	243	70	478	80	350	325	165	190	80	140	18	443	559	260	127	140	10.16	10.34	1/2"	275	63.7	73.0	57.3
GP-065*-335*/C2 HPA	1977	839	1138	672.5	378	415	273	70	65	418	145	273	70	498	70	350	325	165	190	80	140	18	443	569	260	127	140	14.52	14.78	1/2"	320	117.4	73.0	58.6
GP-065*-385*/C2 HPA	1980	839	1141	672.5	381	465	273	70	65	443	145	298	70	583	80	350	325	165	190	80	190	25	443	572	260	127	140	19.21	19.56	1"	357	150.0	73.0	59.3
GP-065*-435*/C2 HPA	1985	839	1146	672.5	386	515	273	70	65	468	145	323	70	608	80	350	325	165	190	80	190	25	443	577	260	127	140	24.50	24.95	1"	403	182.2	73.0	60.0
GP-065*-485*/C2 HPA	1990	839	1151	672.5	391	570	273	70	65	495	145	350	70	665	80	350	325	165	190	80	220	32	443	582	260	127	140	30.47	31.02	1"	458	212.3	73.0	60.7
GP-065*-180*/C3 HPA	1895	782	1113	615.5	353	240	323.9	70	65	330	145	185	70	370	80	350	325	165	190	80	90	14	462	544	260	127	140	4.20	4.27	1/4"	269	-102.2	73.0	57.1
GP-065*-235*/C3 HPA	1900	782	1118	615.5	358	310	323.9	70	65	365	145	220	70	405	80	350	325	165	190	80	90	14	462	549	260	127	140	7.15	7.28	1/2"	300	-50.7	73.0	58.1
GP-065*-280*/C3 HPA	1910	782	1128	615.5	368	355	323.9	70	65	388	145	243	70	478	80	350	325	165	190	80	140	18	462	559	260	127	140	10.16	10.34	1/2"	326	-12.8	73.0	58.7
GP-065*-335*/C3 HPA	1920	782	1138	615.5	378	415	323.9	70	65	418	145	273	70	498	70	350	325	165	190	80	140	18	462	569	260	127	140	14.52	14.78	1/2"	371	42.8	73.0	59.5
GP-065*-385*/C3 HPA	1923	782	1141	615.5	381	465	323.9	70	65	443	145	298	70	583	80	350	325	165	190	80	190	25	462	572	260	127	140	19.21	19.56	1"	408	78.1	73.0	60.1
GP-065*-435*/C3 HPA	1928	782	1146	615.5	386	515	323.9	70	65	468	145	323	70	608	80	350	325	165	190	80	190	25	462	577	260	127	140	24.50	24.95	1"	454	113.9	73.0	60.6
GP-065*-485*/C3 HPA	1933	782	1151	615.5	391	570	323.9	70	65	495	145	350	70	665	80	350	325	165	190	80	220	32	462	582	260	127	140	30.47	31.02	1"	509	148.4	73.0	61.1
GP-065*-180*/C4 HPA	1866	753	1113	586.5	353	240	323.9	70	65	330	145	185	70	370	80	350	325	165	190	80	90	14	448	544	260	127	140	4.20	4.27	1/4"	268	-93.5	73.0	57.1
GP-065*-235*/C4 HPA	1871	753	1118	586.5	358	310	323.9	70	65	365	145	220	70	405	80	350	325	165	190	80	90	14	448	549	260	127	140	7.15	7.28	1/2"	299	-42.7	73.0	58.0
GP-065*-280*/C4 HPA	1881	753	1128	586.5	368	355	323.9	70	65	388	145	243	70	478	80	350	325	165	190	80	140	18	448	559	260	127	140	10.16	10.34	1/2"	325	-5.3	73.0	58.7
GP-065*-335*/C4 HPA	1891	753	1138	586.5	378	415	323.9	70	65	418	145	273	70	498	70	350	325	165	190	80	140	18	448	569	260	127	140	14.52	14.78	1/2"	370	48.5	73.0	59.5
GP-065*-385*/C4 HPA	1894	753	1141	586.5	381	465	323.9	70	65	443	145	298	70	583	80	350	325	165	190	80	190	25	448	572	260	127	140	19.21	19.56	1"	407	84.2	73.0	60.1
GP-065*-435*/C4 HPA	1899	753	1146	586.5	386	515	323.9	70	65	468	145	323	70	608	80	350	325	165	190	80	190	25	448	577	260	127	140	24.50	24.95	1"	453	119.6	73.0	60.6
GP-065*-485*/C4 HPA	1904	753	1151	586.5	391	570	323.9	70	65	495	145	350	70	665	80	350	325	165	190	80	220	32	448	582	260	127	140	30.47	31.02	1"	508	153.5	73.0	61.1

GP 065
- CARTER CARBONSTEEL - FLANGE TYPE ISO F25



GP RANGE METRIC DIMENSION DATA
- SPRING RETURN FAIL CLOSE+ MANUAL OVERRIDE HPA - OGPCH00ADC REV.2

Table with columns: ACTUATOR MODEL, ACTUATOR OVERALL DIMENSIONS (mm), CARTER, SPOOL (OPTIONAL), LIFTING POINT, CLEARANCE FOR DISASSEMBLY, DISPLACEMENT (LITRES), X, weight, CENTER GRAVITY. Rows include models like GP-271-942/C0 HPA and GP-350-942/C0 HPA.



- Ⓢ LIFTING POINT ACTUATOR ONLY
- D ACCORDING TO VALVE FLANGE
- X PNEUMATIC CONNECTION
- NOTE 3 CONTROL PANEL INTERFACE ACCORDING TO : DWG. GD00198-040
- NOTE 2 COUPLING ACTUATOR INTERFACE ACCORDING TO : DWG. GD00198-030
- NOTE 1 MICROSWITCHES GROUP INTERFACE ACCORDING TO : DWG. GD00220

All dimensions are in mm

rotork
fluid systems

PNEUMATIC ACTUATOR
DOUBLE ACTING c/w HP1
OVERALL DIMENSIONS

02	16.04.08	BERNINI	BARSOITI
01	08.06.05	BERNINI	BARSOITI
00	05.12.00	FERDIZZI	PISARONI
rev.	date	drawn	check
			OGPDH00ADC

REPORTED ARE MAXIMUM DIMENSIONS - IT WILL BE CARE OF R.F.S. TO INFORM YOU IN CASE OF ANY DIMENSIONAL INCREASE

