

- Ⓢ LIFTING POINT ACTUATOR ONLY
- D ACCORDING TO VALVE FLANGE
- X1 HYDRAULIC CONNECTION
- NOTE 3 CONTROL PANEL INTERFACE ACCORDING TO : DWG. GD00198-040
- NOTE 2 COUPLING ACTUATOR INTERFACE ACCORDING TO : DWG. GD00198-030
- NOTE 1 MICROSWITCHES GROUP INTERFACE ACCORDING TO : DWG. GD00220

All dimensions are in mm.



SINGLE ACTING HYDRAULIC ACTUATOR  
FAIL TO OPEN  
OVERALL DIMENSIONS

02	22.04.10	BERNINI	BARSOITI
01	08.06.05	BERNINI	BARSOITI
00	21.01.02	BONGIANNI	FERDENZI
rev.	date	drawn	check
OGHA000ADC			

REPORTED ARE MAXIMUM DIMENSIONS - IT WILL BE CARE OF R.F.S. TO INFORM YOU IN CASE OF ANY DIMENSIONAL INCREASE



**GH RANGE METRIC DIMENSION DATA  
- SINGLE ACTING - FAIL OPEN - OGH000ADC REV.2**

ACTUATOR MODEL	ACTUATOR OVERALL DIMENSIONS (mm)															CARTER		SPOOL * (OPTIONAL)			CLEARANCE FOR DISASSEMBLY			DISPLACEMENT (LITRES)		X	weight	CENTER GRAVITY			
	A	B	C	B2	C2	C4	Ev	E	F	F1	G	H	K	L	N	P	AL	AR	M1	M	Weight	ES	EC	ET	Simm.	Canted	( NPT )	( Kg )	XG	ZG	YG
	GH 065 - CARTER CARBON STEEL - FLANGE TYPE ISO F25																														
GH-065*-040*/O1	1526	864	662	672.5	384	112	100	120	273	70	65	347	145	202	70	426.5	165	190	80	140	33	260	130	140	0.18	0.19	1/4"	147	-229.2	73.0	52.7
GH-065*-045*/O1	1526	864	662	672.5	384	112	106	134	273	70	65	347	145	202	70	426.5	165	190	80	140	33	260	130	140	0.23	0.24	1/4"	148	-225.3	73.0	52.7
GH-065*-050*/O1	1526	864	662	672.5	384	112	106	134	273	70	65	347	145	202	70	426.5	165	190	80	140	33	260	130	140	0.28	0.30	1/4"	148	-225.0	73.0	52.7
GH-065*-060*/O1	1526	864	662	672.5	384	112	110	110	273	70	65	347	145	202	70	426.5	165	190	80	140	33	260	130	140	0.40	0.43	1/2"	152	-209.4	73.0	53.1
GH-065*-070*/O1	1531	864	667	672.5	384	117	135	135	273	70	65	347	145	202	70	426.5	165	190	80	140	33	260	130	140	0.55	0.59	1/2"	160	-180.7	73.0	53.7
GH-065*-080*/O1	1526	864	662	672.5	384	112	116	116	273	70	65	347	145	202	70	426.5	165	190	80	140	33	260	130	140	0.72	0.76	1/2"	156	-193.8	73.0	53.4
GH-065*-090*/O1	1535	864	671	672.5	388	117	130	115	273	70	65	347	145	202	70	426.5	165	190	80	140	33	260	130	140	0.91	0.97	1/2"	160	-179.1	73.0	53.7
GH-065*-100*/O1	1551	864	687	672.5	384	137	130	130	273	70	65	347	145	202	70	426.5	165	190	80	140	33	260	150	140	1.12	1.19	1/2"	160	-178.8	73.0	53.7
GH-065*-110*/O1	1580	864	716	672.5	413	137	160	145	273	70	65	347	145	202	70	426.5	165	190	80	140	33	260	150	140	1.36	1.44	1/2"	175	-128.0	73.0	54.6
GH-065*-125*/O1	1582	864	718	672.5	415	137	180	175	273	70	65	347	145	202	70	426.5	165	190	80	140	33	260	150	140	1.75	1.87	1/2"	177	-120.9	73.0	54.7
GH-065*-140*/O1	1587	864	723	672.5	420	137	220	170	273	70	65	347	145	202	70	426.5	165	190	80	140	33	260	150	140	2.20	2.34	1/2"	196	-71.3	73.0	55.7
GH-065*-160*/O1	1582	864	718	672.5	415	137	220	190	273	70	65	347	145	202	70	426.5	165	190	80	140	33	260	150	140	2.87	3.06	3/4"	202	-57.1	73.0	56.0
GH-065*-180*/O1	1654	864	790	672.5	466	158	220	240	273	70	65	347	145	202	70	426.5	165	190	80	140	33	260	160	140	3.64	3.87	3/4"	223	-3.1	73.0	56.9
GH-065*-200*/O1	1633	864	769	672.5	466	137	240	240	273	70	65	347	145	202	70	426.5	165	190	80	140	33	260	160	140	4.49	4.77	3/4"	233	-2.0	73.0	57.2
GH-065*-040*/O2	1526	864	662	672.5	384	112	100	120	273	70	65	347	145	202	70	426.5	165	190	80	140	33	260	130	140	0.18	0.19	1/4"	156	-246.2	73.0	53.4
GH-065*-045*/O2	1526	864	662	672.5	384	112	106	134	273	70	65	347	145	202	70	426.5	165	190	80	140	33	260	130	140	0.23	0.24	1/4"	157	-242.4	73.0	53.4
GH-065*-050*/O2	1526	864	662	672.5	384	112	106	134	273	70	65	347	145	202	70	426.5	165	190	80	140	33	260	130	140	0.28	0.30	1/4"	157	-242.1	73.0	53.4
GH-065*-060*/O2	1526	864	662	672.5	384	112	110	110	273	70	65	347	145	202	70	426.5	165	190	80	140	33	260	130	140	0.40	0.43	1/2"	161	-227.0	73.0	53.7
GH-065*-070*/O2	1531	864	667	672.5	384	117	135	135	273	70	65	347	145	202	70	426.5	165	190	80	140	33	260	130	140	0.55	0.59	1/2"	169	-199.0	73.0	54.3
GH-065*-080*/O2	1526	864	662	672.5	384	112	116	116	273	70	65	347	145	202	70	426.5	165	190	80	140	33	260	130	140	0.72	0.76	1/2"	165	-211.8	73.0	54.0
GH-065*-090*/O2	1535	864	671	672.5	388	117	130	115	273	70	65	347	145	202	70	426.5	165	190	80	140	33	260	130	140	0.91	0.97	1/2"	169	-197.5	73.0	54.3
GH-065*-100*/O2	1551	864	687	672.5	384	137	130	130	273	70	65	347	145	202	70	426.5	165	190	80	140	33	260	150	140	1.12	1.19	1/2"	169	-197.2	73.0	54.3
GH-065*-110*/O2	1580	864	716	672.5	413	137	160	145	273	70	65	347	145	202	70	426.5	165	190	80	140	33	260	150	140	1.36	1.44	1/2"	184	-147.3	73.0	55.1
GH-065*-125*/O2	1582	864	718	672.5	415	137	180	175	273	70	65	347	145	202	70	426.5	165	190	80	140	33	260	150	140	1.75	1.87	1/2"	186	-140.4	73.0	55.2
GH-065*-140*/O2	1587	864	723	672.5	420	137	220	170	273	70	65	347	145	202	70	426.5	165	190	80	140	33	260	150	140	2.20	2.34	1/2"	205	-91.2	73.0	56.1
GH-065*-160*/O2	1582	864	718	672.5	415	137	220	190	273	70	65	347	145	202	70	426.5	165	190	80	140	33	260	150	140	2.87	3.06	3/4"	211	-77.0	73.0	56.4
GH-065*-180*/O2	1654	864	790	672.5	466	158	220	240	273	70	65	347	145	202	70	426.5	165	190	80	140	33	260	160	140	3.64	3.87	3/4"	232	-23.3	73.0	57.2
GH-065*-200*/O2	1633	864	769	672.5	466	137	240	240	273	70	65	347	145	202	70	426.5	165	190	80	140	33	260	160	140	4.49	4.77	3/4"	242	1.7	73.0	57.5
GH-065*-040*/O3	1469	807	662	615.5	384	112	100	120	323.9	70	65	372	145	227	70	452.0	165	190	80	140	33	260	130	140	0.18	0.19	1/4"	207	-296.3	73.0	56.2
GH-065*-045*/O3	1469	807	662	615.5	384	112	106	134	323.9	70	65	372	145	227	70	452.0	165	190	80	140	33	260	130	140	0.23	0.24	1/4"	208	-293.1	73.0	56.3
GH-065*-050*/O3	1469	807	662	615.5	384	112	106	134	323.9	70	65	372	145	227	70	452.0	165	190	80	140	33	260	130	140	0.28	0.30	1/4"	208	-292.9	73.0	56.3
GH-065*-060*/O3	1469	807	662	615.5	384	112	110	110	323.9	70	65	372	145	227	70	452.0	165	190	80	140	33	260	130	140	0.40	0.43	1/2"	212	-280.5	73.0	56.4
GH-065*-070*/O3	1474	807	667	615.5	384	117	135	135	323.9	70	65	372	145	227	70	452.0	165	190	80	140	33	260	130	140	0.55	0.59	1/2"	220	-257.0	73.0	56.8
GH-065*-080*/O3	1469	807	662	615.5	384	112	116	116	323.9	70	65	372	145	227	70	452.0	165	190	80	140	33	260	130	140	0.72	0.76	1/2"	216	-267.8	73.0	56.6
GH-065*-090*/O3	1478	807	671	615.5	388	117	130	115	323.9	70	65	372	145	227	70	452.0	165	190	80	140	33	260	130	140	0.91	0.97	1/2"	220	-255.8	73.0	56.8
GH-065*-100*/O3	1494	807	687	615.5	384	137	130	130	323.9	70	65	372	145	227	70	452.0	165	190	80	140	33	260	150	140	1.12	1.19	1/2"	220	-255.6	73.0	56.8
GH-065*-110*/O3	1523	807	716	615.5	413	137	160	145	323.9	70	65	372	145	227	70	452.0	165	190	80	140	33	260	150	140	1.36	1.44	1/2"	235	-212.8	73.0	57.3
GH-065*-125*/O3	1525	807	718	615.5	415	137	180	175	323.9	70	65	372	145	227	70	452.0	165	190	80	140	33	260	150	140	1.75	1.87	1/2"	237	-206.8	73.0	57.3
GH-065*-140*/O3	1530	807	723	615.5	420	137	220	170	323.9	70	65	372	145	227	70	452.0	165	190	80	140	33	260	150	140	2.20	2.34	1/2"	256	-162.4	73.0	57.9
GH-065*-160*/O3	1525	807	718	615.5	415	137	220	190	323.9	70	65	372	145	227	70	452.0	165	190	80	140	33	260	150	140	2.87	3.06	3/4"	262	-149.4	73.0	58.1
GH-065*-180*/O3	1597	807	790	615.5	466	158	220	240	323.9	70	65	372	145	227	70	452.0	165	190	80	140	33	260	160	140	3.64	3.87	3/4"	283	-99.9	73.0	58.6
GH-065*-200*/O3	1576	807	769	615.5	466	137	240	240	323.9	70	65	372	145	227	70	452.0	165	190	80	140	33	260	160	140	4.49	4.77	3/4"	293	-76.7	73.0	58.8
GH-065*-040*/O4	1440	778	662	586.5	384	112	100	120	323.9	70	65	372	145	227	70	452.0	165	190	80	140	33	260	130	140	0.18	0.19	1/4"	206	-285.8	73.0	56



**GH RANGE METRIC DIMENSION DATA  
- SINGLE ACTING - FAIL OPEN - OGH000ADC REV.2**

ACTUATOR MODEL	ACTUATOR OVERALL DIMENSIONS (mm)															CARTER		SPOOL * (OPTIONAL)			CLEARANCE FOR DISASSEMBLY			DISPLACEMENT (LITRES)		X	weight	CENTER GRAVITY				
	A	B	C	B2	C2	C4	Ev	E	F	F1	G	H	K	L	N	P	AL	AR	M1	M	Weight	ES	EC	ET	Simm.	Canted	( NPT )	( Kg )	XG	ZG	YG	
	GH 085 - CARTER CAST IRON - FLANGE TYPE ISO F25																															
GH-085-040/O1	1586	894	692	672.5	384	112	100	120	273	70	85	352	130	222	70	426.5	195	220	80	140	33	305	150	140	0.23	0.25	1/4"	172	-208.9	74.0	69.2	
GH-085-045/O1	1586	894	692	672.5	384	112	106	134	273	70	85	352	130	222	70	426.5	195	220	80	140	33	305	150	140	0.30	0.32	1/4"	173	-205.3	74.0	69.3	
GH-085-050/O1	1586	894	692	672.5	384	112	106	134	273	70	85	352	130	222	70	426.5	195	220	80	140	33	305	150	140	0.37	0.39	1/4"	173	-204.4	74.0	69.3	
GH-085-060/O1	1586	894	692	672.5	384	112	110	110	273	70	85	352	130	222	70	426.5	195	220	80	140	33	305	150	140	0.53	0.57	1/2"	177	-190.4	74.0	69.6	
GH-085-070/O1	1591	894	697	672.5	384	117	135	135	273	70	85	352	130	222	70	426.5	195	220	80	140	33	305	150	140	0.72	0.77	1/2"	185	-164.9	74.0	70.3	
GH-085-080/O1	1586	894	692	672.5	384	112	116	116	273	70	85	352	130	222	70	426.5	195	220	80	140	33	305	150	140	0.94	1.01	1/2"	181	-176.1	74.0	70.0	
GH-085-090/O1	1595	894	701	672.5	388	117	130	115	273	70	85	352	130	222	70	426.5	195	220	80	140	33	305	150	140	1.19	1.27	1/2"	185	-163.0	74.0	70.3	
GH-085-100/O1	1611	894	717	672.5	384	137	130	130	273	70	85	352	130	222	70	426.5	195	220	80	140	33	305	150	140	1.47	1.57	1/2"	185	-165.5	74.0	70.3	
GH-085-110/O1	1640	894	746	672.5	413	137	160	145	273	70	85	352	130	222	70	426.5	195	220	80	140	33	305	150	140	1.78	1.90	1/2"	200	-123.1	74.0	71.4	
GH-085-125/O1	1642	894	748	672.5	415	137	180	175	273	70	85	352	130	222	70	426.5	195	220	80	140	33	305	150	140	2.29	2.45	1/2"	202	-115.9	74.0	71.5	
GH-085-140/O1	1647	894	753	672.5	420	137	220	170	273	70	85	352	130	222	70	426.5	195	220	80	140	33	305	150	140	2.88	3.08	1/2"	221	-71.8	74.0	72.7	
GH-085-160/O1	1642	894	748	672.5	415	137	220	190	273	70	85	352	130	222	70	426.5	195	220	80	140	33	305	150	140	3.76	4.02	3/4"	227	-57.2	74.0	73.0	
GH-085-180/O1	1714	894	820	672.5	466	158	220	240	273	70	85	352	130	222	70	426.5	195	220	80	140	33	305	160	140	4.76	5.09	3/4"	248	-17.1	74.0	74.0	
GH-085-200/O1	1693	894	799	672.5	466	137	240	240	273	70	85	352	130	222	70	426.5	195	220	80	140	33	305	160	140	5.87	6.28	3/4"	258	-5.9	74.0	74.5	
GH-085-040/O2	1586	894	692	672.5	384	112	100	120	273	70	85	352	130	222	70	426.5	195	220	80	140	33	305	150	140	0.23	0.25	1/4"	181	-226.1	74.0	70.0	
GH-085-045/O2	1586	894	692	672.5	384	112	106	134	273	70	85	352	130	222	70	426.5	195	220	80	140	33	305	150	140	0.30	0.32	1/4"	182	-222.5	74.0	70.1	
GH-085-050/O2	1586	894	692	672.5	384	112	106	134	273	70	85	352	130	222	70	426.5	195	220	80	140	33	305	150	140	0.37	0.39	1/4"	182	-221.7	74.0	70.1	
GH-085-060/O2	1586	894	692	672.5	384	112	110	110	273	70	85	352	130	222	70	426.5	195	220	80	140	33	305	150	140	0.53	0.57	1/2"	186	-208.0	74.0	70.4	
GH-085-070/O2	1591	894	697	672.5	384	117	135	135	273	70	85	352	130	222	70	426.5	195	220	80	140	33	305	150	140	0.72	0.77	1/2"	194	-183.0	74.0	71.0	
GH-085-080/O2	1586	894	692	672.5	384	112	116	116	273	70	85	352	130	222	70	426.5	195	220	80	140	33	305	150	140	0.94	1.01	1/2"	190	-194.0	74.0	70.7	
GH-085-090/O2	1595	894	701	672.5	388	117	130	115	273	70	85	352	130	222	70	426.5	195	220	80	140	33	305	150	140	1.19	1.27	1/2"	194	-181.1	74.0	71.0	
GH-085-100/O2	1611	894	717	672.5	384	137	130	130	273	70	85	352	130	222	70	426.5	195	220	80	140	33	305	150	140	1.47	1.57	1/2"	194	-183.5	74.0	71.0	
GH-085-110/O2	1640	894	746	672.5	413	137	160	145	273	70	85	352	130	222	70	426.5	195	220	80	140	33	305	150	140	1.78	1.90	1/2"	209	-141.7	74.0	72.0	
GH-085-125/O2	1642	894	748	672.5	415	137	180	175	273	70	85	352	130	222	70	426.5	195	220	80	140	33	305	150	140	2.29	2.45	1/2"	211	-134.6	74.0	72.1	
GH-085-140/O2	1647	894	753	672.5	420	137	220	170	273	70	85	352	130	222	70	426.5	195	220	80	140	33	305	150	140	2.88	3.08	1/2"	230	-90.7	74.0	73.2	
GH-085-160/O2	1642	894	748	672.5	415	137	220	190	273	70	85	352	130	222	70	426.5	195	220	80	140	33	305	150	140	3.76	4.02	3/4"	236	-76.1	74.0	73.5	
GH-085-180/O2	1714	894	820	672.5	466	158	220	240	273	70	85	352	130	222	70	426.5	195	220	80	140	33	305	160	140	4.76	5.09	3/4"	257	-35.9	74.0	74.4	
GH-085-200/O2	1693	894	799	672.5	466	137	240	240	273	70	85	352	130	222	70	426.5	195	220	80	140	33	305	160	140	5.87	6.28	3/4"	267	-13.0	74.0	74.8	
GH-085-040/O3	1599	907	692	685.5	384	112	100	120	323.9	70	85	377	130	247	70	452.0	195	220	80	140	33	305	150	140	0.23	0.25	1/4"	236	-306.5	74.0	73.5	
GH-085-045/O3	1599	907	692	685.5	384	112	106	134	323.9	70	85	377	130	247	70	452.0	195	220	80	140	33	305	150	140	0.30	0.32	1/4"	237	-303.5	74.0	73.5	
GH-085-050/O3	1599	907	692	685.5	384	112	106	134	323.9	70	85	377	130	247	70	452.0	195	220	80	140	33	305	150	140	0.37	0.39	1/4"	237	-302.9	74.0	73.5	
GH-085-060/O3	1599	907	692	685.5	384	112	110	110	323.9	70	85	377	130	247	70	452.0	195	220	80	140	33	305	150	140	0.53	0.57	1/2"	241	-290.9	74.0	73.7	
GH-085-070/O3	1604	907	697	685.5	384	117	135	135	323.9	70	85	377	130	247	70	452.0	195	220	80	140	33	305	150	140	0.72	0.77	1/2"	249	-268.7	74.0	74.1	
GH-085-080/O3	1599	907	692	685.5	384	112	116	116	323.9	70	85	377	130	247	70	452.0	195	220	80	140	33	305	150	140	0.94	1.01	1/2"	245	-278.7	74.0	73.9	
GH-085-090/O3	1608	907	701	685.5	388	117	130	115	323.9	70	85	377	130	247	70	452.0	195	220	80	140	33	305	150	140	1.19	1.27	1/2"	249	-267.3	74.0	74.1	
GH-085-100/O3	1624	907	717	685.5	384	137	130	130	323.9	70	85	377	130	247	70	452.0	195	220	80	140	33	305	150	140	1.47	1.57	1/2"	249	-269.2	74.0	74.1	
GH-085-110/O3	1653	907	746	685.5	413	137	160	145	323.9	70	85	377	130	247	70	452.0	195	220	80	140	33	305	150	140	1.78	1.90	1/2"	264	-231.1	74.0	74.7	
GH-085-125/O3	1655	907	748	685.5	415	137	180	175	323.9	70	85	377	130	247	70	452.0	195	220	80	140	33	305	150	140	2.29	2.45	1/2"	266	-224.9	74.0	74.8	
GH-085-140/O3	1660	907	753	685.5	420	137	220	170	323.9	70	85	377	130	247	70	452.0	195	220	80	140	33	305	150	140	2.88	3.08	1/2"	285	-183.4	74.0	75.5	
GH-085-160/O3	1655	907	748	685.5	415	137	220	190	323.9	70	85	377	130	247	70	452.0	195	220	80	140	33	305	150	140	3.76	4.02	3/4"	291	-169.7	74.0	75.7	
GH-085-180/O3	1727	907	820	685.5	466	158	220	240	323.9	70	85	377	130	247	70	452.0	195	220	80	140	33	305	160	140	4.76	5.09	3/4"	312	-130.2	74.0	76.3	
GH-085-200/O3	1706	907	799	685.5	466	137	240	240	323.9	70	85	377	130	247	70	452.0	195	220	80	140	33	305	160	140	5.87	6.28	3/4"	322	-108.3	74.0	76.6	
GH-085-040/O4	1599	907	692	685.5	384	112	100	120	323.9	70	85	377	130	247	70	452.0	195	220	80	140	33	305	150	140	0.23	0.25	1/4"	216	-282.9	74.0	72.4	
GH-085-045/O4	1599	907</																														



**GH RANGE METRIC DIMENSION DATA  
- SINGLE ACTING - FAIL OPEN - OGH000ADC REV.2**

ACTUATOR MODEL	ACTUATOR OVERALL DIMENSIONS (mm)														CARTER		SPOOL * (OPTIONAL)			CLEARANCE FOR DISASSEMBLY			DISPLACEMENT (LITRES)		X	weight	CENTER GRAVITY				
	A	B	C	B2	C2	C4	Ev	E	F	F1	G	H	K	L	N	P	AL	AR	M1	M	Weight	ES	EC	ET	Simm.	Canted	(NPT)	(Kg)	XG	ZG	YG
																		Weight													
GH-085-040/O6	1599	907	692	685.5	384	112	100	120	323.9	70	85	377	130	247	70	452.0	195	220	80	140	33	305	150	140	0.23	0.25	1/4"	256	-326.5	74.0	74.4
GH-085-045/O6	1599	907	692	685.5	384	112	106	134	323.9	70	85	377	130	247	70	452.0	195	220	80	140	33	305	150	140	0.30	0.32	1/4"	257	-323.6	74.0	74.4
GH-085-050/O6	1599	907	692	685.5	384	112	106	134	323.9	70	85	377	130	247	70	452.0	195	220	80	140	33	305	150	140	0.37	0.39	1/4"	257	-323.0	74.0	74.4
GH-085-060/O6	1599	907	692	685.5	384	112	110	110	323.9	70	85	377	130	247	70	452.0	195	220	80	140	33	305	150	140	0.53	0.57	1/2"	261	-311.7	74.0	74.6
GH-085-070/O6	1604	907	697	685.5	384	117	135	135	323.9	70	85	377	130	247	70	452.0	195	220	80	140	33	305	150	140	0.72	0.77	1/2"	269	-290.5	74.0	74.9
GH-085-080/O6	1599	907	692	685.5	384	112	116	116	323.9	70	85	377	130	247	70	452.0	195	220	80	140	33	305	150	140	0.94	1.01	1/2"	265	-300.0	74.0	74.7
GH-085-090/O6	1608	907	701	685.5	388	117	130	115	323.9	70	85	377	130	247	70	452.0	195	220	80	140	33	305	150	140	1.19	1.27	1/2"	269	-289.2	74.0	74.9
GH-085-100/O6	1624	907	717	685.5	384	137	130	130	323.9	70	85	377	130	247	70	452.0	195	220	80	140	33	305	150	140	1.47	1.57	1/2"	269	-290.9	74.0	74.9
GH-085-110/O6	1653	907	746	685.5	413	137	160	145	323.9	70	85	377	130	247	70	452.0	195	220	80	140	33	305	150	140	1.78	1.90	1/2"	284	-254.4	74.0	75.4
GH-085-125/O6	1655	907	748	685.5	415	137	180	175	323.9	70	85	377	130	247	70	452.0	195	220	80	140	33	305	150	140	2.29	2.45	1/2"	286	-248.4	74.0	75.5
GH-085-140/O6	1660	907	753	685.5	420	137	220	170	323.9	70	85	377	130	247	70	452.0	195	220	80	140	33	305	150	140	2.88	3.08	1/2"	305	-208.2	74.0	76.1
GH-085-160/O6	1655	907	748	685.5	415	137	220	190	323.9	70	85	377	130	247	70	452.0	195	220	80	140	33	305	150	140	3.76	4.02	3/4"	311	-194.9	74.0	76.3
GH-085-180/O6	1727	907	820	685.5	466	158	220	240	323.9	70	85	377	130	247	70	452.0	195	220	80	140	33	305	160	140	4.76	5.09	3/4"	332	-156.2	74.0	76.8
GH-085-200/O6	1706	907	799	685.5	466	137	240	240	323.9	70	85	377	130	247	70	452.0	195	220	80	140	33	305	160	140	5.87	6.28	3/4"	342	-134.6	74.0	77.0
GH-085-040/O7	1703	1011	692	790	384	112	100	120	406.4	70	85	418	130	288	70	493.2	195	220	80	140	33	305	150	140	0.23	0.25	1/4"	316	-407.5	74.0	76.4
GH-085-045/O7	1703	1011	692	790	384	112	106	134	406.4	70	85	418	130	288	70	493.2	195	220	80	140	33	305	150	140	0.30	0.32	1/4"	317	-404.8	74.0	76.4
GH-085-050/O7	1703	1011	692	790	384	112	106	134	406.4	70	85	418	130	288	70	493.2	195	220	80	140	33	305	150	140	0.37	0.39	1/4"	317	-404.4	74.0	76.4
GH-085-060/O7	1703	1011	692	790	384	112	110	110	406.4	70	85	418	130	288	70	493.2	195	220	80	140	33	305	150	140	0.53	0.57	1/2"	321	-394.2	74.0	76.5
GH-085-070/O7	1708	1011	697	790	384	117	135	135	406.4	70	85	418	130	288	70	493.2	195	220	80	140	33	305	150	140	0.72	0.77	1/2"	329	-374.8	74.0	76.7
GH-085-080/O7	1703	1011	692	790	384	112	116	116	406.4	70	85	418	130	288	70	493.2	195	220	80	140	33	305	150	140	0.94	1.01	1/2"	325	-383.7	74.0	76.6
GH-085-090/O7	1712	1011	701	790	388	117	130	115	406.4	70	85	418	130	288	70	493.2	195	220	80	140	33	305	150	140	1.19	1.27	1/2"	329	-373.8	74.0	76.7
GH-085-100/O7	1728	1011	717	790	384	137	130	130	406.4	70	85	418	130	288	70	493.2	195	220	80	140	33	305	150	140	1.47	1.57	1/2"	329	-375.2	74.0	76.7
GH-085-110/O7	1757	1011	746	790	413	137	160	145	406.4	70	85	418	130	288	70	493.2	195	220	80	140	33	305	150	140	1.78	1.90	1/2"	344	-341.4	74.0	77.1
GH-085-125/O7	1759	1011	748	790	415	137	180	175	406.4	70	85	418	130	288	70	493.2	195	220	80	140	33	305	150	140	2.29	2.45	1/2"	346	-335.9	74.0	77.1
GH-085-140/O7	1764	1011	753	790	420	137	220	170	406.4	70	85	418	130	288	70	493.2	195	220	80	140	33	305	150	140	2.88	3.08	1/2"	365	-297.7	74.0	77.5
GH-085-160/O7	1759	1011	748	790	415	137	220	190	406.4	70	85	418	130	288	70	493.2	195	220	80	140	33	305	150	140	3.76	4.02	3/4"	371	-285.1	74.0	77.7
GH-085-180/O7	1831	1011	820	790	466	158	220	240	406.4	70	85	418	130	288	70	493.2	195	220	80	140	33	305	160	140	4.76	5.09	3/4"	392	-247.5	74.0	78.1
GH-085-200/O7	1810	1011	799	790	466	137	240	240	406.4	70	85	418	130	288	70	493.2	195	220	80	140	33	305	160	140	5.87	6.28	3/4"	402	-227.0	74.0	78.2
<b>GH 100 - CARTER CARBON STEEL - FLANGE TYPE ISO F25</b>																															
GH-100-060/O1	2027	1127	900	871	527	147	120	120	406.4	70	100	463	160	303	84	506.2	225	255	93	140	33	353	170	167	0.62	0.67	1/2"	392	-419.4	86.7	91.1
GH-100-070/O1	2027	1127	900	871	527	147	135	135	406.4	70	100	463	160	303	84	506.2	225	255	93	140	33	353	170	167	0.85	0.90	1/2"	397	-407.7	86.7	91.2
GH-100-080/O1	2026	1127	899	871	526	147	140	140	406.4	70	100	463	160	303	84	506.2	225	255	93	140	33	353	170	167	1.11	1.18	1/2"	403	-394.1	86.7	91.3
GH-100-090/O1	2027	1127	900	871	527	147	140	140	406.4	70	100	463	160	303	84	506.2	225	255	93	140	33	353	170	167	1.40	1.49	1/2"	403	-393.7	86.7	91.3
GH-100-100/O1	2027	1127	900	871	527	147	160	150	406.4	70	100	463	160	303	84	506.2	225	255	93	140	33	353	170	167	1.73	1.84	1/2"	400	-400.0	86.7	91.3
GH-100-110/O1	2027	1127	900	871	527	147	160	145	406.4	70	100	463	160	303	84	506.2	225	255	93	140	33	353	170	167	2.09	2.23	1/2"	401	-397.1	86.7	91.3
GH-100-115/O1	2027	1127	900	871	527	147	160	160	406.4	70	100	463	160	303	84	506.2	225	255	93	140	33	353	170	167	2.28	2.44	1/2"	405	-388.4	86.7	91.4
GH-100-125/O1	2027	1127	900	871	527	147	185	165	406.4	70	100	463	160	303	84	506.2	225	255	93	140	33	353	170	167	2.70	2.88	1/2"	411	-375.0	86.7	91.5
GH-100-140/O1	2027	1127	900	871	527	147	220	170	406.4	70	100	463	160	303	84	506.2	225	255	93	140	33	353	170	167	3.39	3.62	1/2"	424	-348.1	86.7	91.8
GH-100-160/O1	2093	1127	966	871	573	167	195	195	406.4	70	100	463	160	303	84	506.2	225	255	93	140	33	353	170	167	4.42	4.72	3/4"	425	-340.7	86.7	91.8
GH-100-180/O1	2156	1127	1029	871	636	167	260	260	406.4	70	100	463	160	303	84	506.2	225	255	93	140	33	353	170	167	5.60	5.98	3/4"	503	-193.5	86.7	93.1
GH-100-200/O1	2116	1127	989	871	626	137	240	240	406.4	70	100	463	160	303	84	506.2	225	255	93	140	33	353	170	167	6.91	7.38	3/4"	487	-216.6	86.7	92.8
GH-100-210/O1	2146	1127	1019	871	626	167	255	255	406.4	70	100	463	160	303	84	506.2	225	255	93	140	33	353	170	167	7.61	8.13	3/4"	507	-185.1	86.7	93.1
GH-100-220/O1	2169	1127	1042	871	625	191	275	275	406.4	70	100	463	160	303	84	506.2	225	255	93	140	33	353	200	167	8.36	8.93	3/4"	543	-136.4	86.7	93.6
GH-100-240/O1	2169	1127	1042	871	625	191	275	300	406.4	70	100	463	160	303	84	506.2	225	255	93	140	33										



**GH RANGE METRIC DIMENSION DATA  
- SINGLE ACTING - FAIL OPEN - OGH000ADC REV.2**

ACTUATOR MODEL	ACTUATOR OVERALL DIMENSIONS (mm)																CARTER		SPOOL * (OPTIONAL)			CLEARANCE FOR DISASSEMBLY			DISPLACEMENT (LITRES)		X	weight	CENTER GRAVITY			
	A	B	C	B2	C2	C4	Ev	E	F	F1	G	H	K	L	N	P	AL	AR	M1	M	Weight	ES	EC	ET	Simm.	Canted	( NPT )	( Kg )	XG	ZG	YG	
	GH 130 - CARTER CAST IRON - FLANGE TYPE ISO F30																															
GH-130-060/O1	2256	1310	946	1003	527	147	120	120	457.2	100	130	520	161.5	359	99	591.6	271	306	113	150	50	424	205	202	0.81	0.86	1/2"	537	-493.1	106.0	120.9	
GH-130-070/O1	2256	1310	946	1003	527	147	135	135	457.2	100	130	520	161.5	359	99	591.6	271	306	113	150	50	424	205	202	1.10	1.17	1/2"	542	-484.4	106.0	121.0	
GH-130-080/O1	2255	1310	945	1003	526	147	140	140	457.2	100	130	520	161.5	359	99	591.6	271	306	113	150	50	424	205	202	1.44	1.53	1/2"	548	-474.2	106.0	121.0	
GH-130-090/O1	2256	1310	946	1003	527	147	140	140	457.2	100	130	520	161.5	359	99	591.6	271	306	113	150	50	424	205	202	1.82	1.94	1/2"	548	-474.0	106.0	121.0	
GH-130-100/O1	2256	1310	946	1003	527	147	160	150	457.2	100	130	520	161.5	359	99	591.6	271	306	113	150	50	424	205	202	2.25	2.39	1/2"	545	-478.7	106.0	121.0	
GH-130-110/O1	2256	1310	946	1003	527	147	160	145	457.2	100	130	520	161.5	359	99	591.6	271	306	113	150	50	424	205	202	2.72	2.90	1/2"	546	-476.6	106.0	121.0	
GH-130-115/O1	2256	1310	946	1003	527	147	160	160	457.2	100	130	520	161.5	359	99	591.6	271	306	113	150	50	424	205	202	2.97	3.17	1/2"	550	-470.1	106.0	121.1	
GH-130-125/O1	2256	1310	946	1003	527	147	185	165	457.2	100	130	520	161.5	359	99	591.6	271	306	113	150	50	424	205	202	3.51	3.74	1/2"	556	-459.9	106.0	121.2	
GH-130-140/O1	2256	1310	946	1003	527	147	220	170	457.2	100	130	520	161.5	359	99	591.6	271	306	113	150	50	424	205	202	4.40	4.69	1/2"	569	-439.1	106.0	121.3	
GH-130-160/O1	2322	1310	1012	1003	573	167	195	195	457.2	100	130	520	161.5	359	99	591.6	271	306	113	150	50	424	205	202	5.75	6.13	3/4"	570	-433.9	106.0	121.4	
GH-130-180/O1	2385	1310	1075	1003	636	167	260	260	457.2	100	130	520	161.5	359	99	591.6	271	306	113	150	50	424	205	202	7.28	7.76	3/4"	648	-314.3	106.0	122.3	
GH-130-200/O1	2345	1310	1035	1003	626	137	240	240	457.2	100	130	520	161.5	359	99	591.6	271	306	113	150	50	424	205	202	8.98	9.58	3/4"	632	-334.3	106.0	122.1	
GH-130-210/O1	2375	1310	1065	1003	626	167	255	255	457.2	100	130	520	161.5	359	99	591.6	271	306	113	150	50	424	205	202	9.90	10.55	3/4"	652	-307.3	106.0	122.4	
GH-130-220/O1	2398	1310	1088	1003	625	191	275	275	457.2	100	130	520	161.5	359	99	591.6	271	306	113	150	50	424	205	202	10.87	11.59	3/4"	688	-264.0	106.0	122.7	
GH-130-240/O1	2398	1310	1088	1003	625	191	275	300	457.2	100	130	520	161.5	359	99	591.6	271	306	113	150	50	424	205	202	12.93	13.79	3/4"	693	-256.3	106.0	122.8	
GH-130-260/O1	2398	1310	1088	1003	625	191	275	300	457.2	100	130	520	161.5	359	99	591.6	271	306	113	150	50	424	205	202	15.16	16.17	1"	713	-232.7	106.0	123.0	
GH-130-060/O2	2256	1310	946	1003	527	147	120	120	457.2	100	130	520	161.5	359	99	591.6	271	306	113	150	50	424	205	202	0.81	0.86	1/2"	562	-505.7	106.0	121.3	
GH-130-070/O2	2256	1310	946	1003	527	147	135	135	457.2	100	130	520	161.5	359	99	591.6	271	306	113	150	50	424	205	202	1.10	1.17	1/2"	567	-492.7	106.0	121.3	
GH-130-080/O2	2255	1310	945	1003	526	147	140	140	457.2	100	130	520	161.5	359	99	591.6	271	306	113	150	50	424	205	202	1.44	1.53	1/2"	573	-487.3	106.0	121.4	
GH-130-090/O2	2256	1310	946	1003	527	147	140	140	457.2	100	130	520	161.5	359	99	591.6	271	306	113	150	50	424	205	202	1.82	1.94	1/2"	573	-487.1	106.0	121.4	
GH-130-100/O2	2256	1310	946	1003	527	147	160	150	457.2	100	130	520	161.5	359	99	591.6	271	306	113	150	50	424	205	202	2.25	2.39	1/2"	570	-491.7	106.0	121.4	
GH-130-110/O2	2256	1310	946	1003	527	147	160	145	457.2	100	130	520	161.5	359	99	591.6	271	306	113	150	50	424	205	202	2.72	2.90	1/2"	571	-489.7	106.0	121.4	
GH-130-115/O2	2256	1310	946	1003	527	147	160	160	457.2	100	130	520	161.5	359	99	591.6	271	306	113	150	50	424	205	202	2.97	3.17	1/2"	575	-483.3	106.0	121.4	
GH-130-125/O2	2256	1310	946	1003	527	147	185	165	457.2	100	130	520	161.5	359	99	591.6	271	306	113	150	50	424	205	202	3.51	3.74	1/2"	581	-473.4	106.0	121.5	
GH-130-140/O2	2256	1310	946	1003	527	147	220	170	457.2	100	130	520	161.5	359	99	591.6	271	306	113	150	50	424	205	202	4.40	4.69	1/2"	594	-453.1	106.0	121.7	
GH-130-160/O2	2322	1310	1012	1003	573	167	195	195	457.2	100	130	520	161.5	359	99	591.6	271	306	113	150	50	424	205	202	5.75	6.13	3/4"	595	-448.0	106.0	121.7	
GH-130-180/O2	2385	1310	1075	1003	636	167	260	260	457.2	100	130	520	161.5	359	99	591.6	271	306	113	150	50	424	205	202	7.28	7.76	3/4"	673	-331.0	106.0	122.6	
GH-130-200/O2	2345	1310	1035	1003	626	137	240	240	457.2	100	130	520	161.5	359	99	591.6	271	306	113	150	50	424	205	202	8.98	9.58	3/4"	657	-350.7	106.0	122.4	
GH-130-210/O2	2375	1310	1065	1003	626	167	255	255	457.2	100	130	520	161.5	359	99	591.6	271	306	113	150	50	424	205	202	9.90	10.55	3/4"	677	-324.2	106.0	122.6	
GH-130-220/O2	2398	1310	1088	1003	625	191	275	275	457.2	100	130	520	161.5	359	99	591.6	271	306	113	150	50	424	205	202	10.87	11.59	3/4"	713	-281.4	106.0	123.0	
GH-130-240/O2	2398	1310	1088	1003	625	191	275	300	457.2	100	130	520	161.5	359	99	591.6	271	306	113	150	50	424	205	202	12.93	13.79	3/4"	718	-273.9	106.0	123.0	
GH-130-260/O2	2398	1310	1088	1003	625	191	275	300	457.2	100	130	520	161.5	359	99	591.6	271	306	113	150	50	424	205	202	15.16	16.17	1"	738	-250.6	106.0	123.3	
GH-130-060/O3	2775	1829	946	1522	527	147	120	120	406.4	100	130	494.7	161.5	333	99	566.2	271	306	113	150	50	424	205	202	0.81	0.86	1/2"	607	-703.8	106.0	121.8	
GH-130-070/O3	2775	1829	946	1522	527	147	135	135	406.4	100	130	494.7	161.5	333	99	566.2	271	306	113	150	50	424	205	202	1.10	1.17	1/2"	612	-694.4	106.0	121.9	
GH-130-080/O3	2774	1829	945	1522	526	147	140	140	406.4	100	130	494.7	161.5	333	99	566.2	271	306	113	150	50	424	205	202	1.44	1.53	1/2"	618	-683.5	106.0	122.0	
GH-130-090/O3	2775	1829	946	1522	527	147	140	140	406.4	100	130	494.7	161.5	333	99	566.2	271	306	113	150	50	424	205	202	1.82	1.94	1/2"	618	-683.2	106.0	122.0	
GH-130-100/O3	2775	1829	946	1522	527	147	160	150	406.4	100	130	494.7	161.5	333	99	566.2	271	306	113	150	50	424	205	202	2.25	2.39	1/2"	615	-688.4	106.0	121.9	
GH-130-110/O3	2775	1829	946	1522	527	147	160	145	406.4	100	130	494.7	161.5	333	99	566.2	271	306	113	150	50	424	205	202	2.72	2.90	1/2"	616	-686.2	106.0	121.9	
GH-130-115/O3	2775	1829	946	1522	527	147	160	160	406.4	100	130	494.7	161.5	333	99	566.2	271	306	113	150	50	424	205	202	2.97	3.17	1/2"	620	-679.1	106.0	122.0	
GH-130-125/O3	2775	1829	946	1522	527	147	185	165	406.4	100	130	494.7	161.5	333	99	566.2	271	306	113	150	50	424	205	202	3.51	3.74	1/2"	626	-668.2	106.0	122.1	
GH-130-140/O3	2775	1829	946	1522	527	147	220	170	406.4	100	130	494.7	161.5	333	99	566.2	271	306	113	150	50	424	205	202	4.40	4.69	1/2"	639	-645.6	106.0	122.2	
GH-130-160/O3	2841	1829	1012	1522	573	167	195	195	406.4	100	130	494.7	161.5	333	99	566.2	271	306	113	150	50											



**GH RANGE METRIC DIMENSION DATA  
- SINGLE ACTING - FAIL OPEN - OGH000ADC REV.2**

ACTUATOR MODEL	ACTUATOR OVERALL DIMENSIONS (mm)															CARTER		SPOOL * (OPTIONAL)			CLEARANCE FOR DISASSEMBLY			DISPLACEMENT (LITRES)		X	weight	CENTER GRAVITY			
	A	B	C	B2	C2	C4	Ev	E	F	F1	G	H	K	L	N	P	AL	AR	M1	M	Weight	ES	EC	ET	Simm.	Canted	(NPT)	(Kg)	XG	ZG	YG
																		Weight													
GH-130-060/O5	2262	1316	946	1009	527	147	120	120	508	100	130	546	161.5	384	99	617.0	271	306	113	150	50	424	205	202	0.81	0.86	1/2"	767	-592.4	106.0	123.4
GH-130-070/O5	2262	1316	946	1009	527	147	135	135	508	100	130	546	161.5	384	99	617.0	271	306	113	150	50	424	205	202	1.10	1.17	1/2"	772	-575.5	106.0	123.5
GH-130-080/O5	2261	1316	945	1009	526	147	140	140	508	100	130	546	161.5	384	99	617.0	271	306	113	150	50	424	205	202	1.44	1.53	1/2"	778	-567.5	106.0	123.5
GH-130-090/O5	2262	1316	946	1009	527	147	140	140	508	100	130	546	161.5	384	99	617.0	271	306	113	150	50	424	205	202	1.82	1.94	1/2"	778	-567.3	106.0	123.5
GH-130-100/O5	2262	1316	946	1009	527	147	160	150	508	100	130	546	161.5	384	99	617.0	271	306	113	150	50	424	205	202	2.25	2.39	1/2"	775	-571.1	106.0	123.5
GH-130-110/O5	2262	1316	946	1009	527	147	160	145	508	100	130	546	161.5	384	99	617.0	271	306	113	150	50	424	205	202	2.72	2.90	1/2"	776	-569.4	106.0	123.5
GH-130-115/O5	2262	1316	946	1009	527	147	160	160	508	100	130	546	161.5	384	99	617.0	271	306	113	150	50	424	205	202	2.97	3.17	1/2"	780	-564.2	106.0	123.5
GH-130-125/O5	2262	1316	946	1009	527	147	185	165	508	100	130	546	161.5	384	99	617.0	271	306	113	150	50	424	205	202	3.51	3.74	1/2"	786	-556.1	106.0	123.6
GH-130-140/O5	2262	1316	946	1009	527	147	220	170	508	100	130	546	161.5	384	99	617.0	271	306	113	150	50	424	205	202	4.40	4.69	1/2"	799	-539.4	106.0	123.7
GH-130-160/O5	2328	1316	1012	1009	573	167	195	195	508	100	130	546	161.5	384	99	617.0	271	306	113	150	50	424	205	202	5.75	6.13	3/4"	800	-535.5	106.0	123.7
GH-130-180/O5	2391	1316	1075	1009	636	167	260	260	508	100	130	546	161.5	384	99	617.0	271	306	113	150	50	424	205	202	7.28	7.76	3/4"	878	-436.7	106.0	124.2
GH-130-200/O5	2351	1316	1035	1009	626	137	240	240	508	100	130	546	161.5	384	99	617.0	271	306	113	150	50	424	205	202	8.98	9.58	3/4"	862	-453.9	106.0	124.1
GH-130-210/O5	2381	1316	1065	1009	626	167	255	255	508	100	130	546	161.5	384	99	617.0	271	306	113	150	50	424	205	202	9.90	10.55	3/4"	882	-430.9	106.0	124.2
GH-130-220/O5	2404	1316	1088	1009	625	191	275	275	508	100	130	546	161.5	384	99	617.0	271	306	113	150	50	424	205	202	10.87	11.59	3/4"	918	-393.2	106.0	124.4
GH-130-240/O5	2404	1316	1088	1009	625	191	275	300	508	100	130	546	161.5	384	99	617.0	271	306	113	150	50	424	205	202	12.93	13.79	3/4"	923	-386.6	106.0	124.5
GH-130-260/O5	2404	1316	1088	1009	625	191	275	300	508	100	130	546	161.5	384	99	617.0	271	306	113	150	50	424	205	202	15.16	16.17	1"	943	-365.8	106.0	124.6
GH-130-060/O6	2262	1316	946	1009	527	147	120	120	508	100	130	545.5	161.5	384	99	617.0	271	306	113	150	50	424	205	202	0.81	0.86	1/2"	822	-596.5	106.0	123.8
GH-130-070/O6	2262	1316	946	1009	527	147	135	135	508	100	130	545.5	161.5	384	99	617.0	271	306	113	150	50	424	205	202	1.10	1.17	1/2"	827	-590.0	106.0	123.9
GH-130-080/O6	2261	1316	945	1009	526	147	140	140	508	100	130	545.5	161.5	384	99	617.0	271	306	113	150	50	424	205	202	1.44	1.53	1/2"	833	-582.4	106.0	123.9
GH-130-090/O6	2262	1316	946	1009	527	147	140	140	508	100	130	545.5	161.5	384	99	617.0	271	306	113	150	50	424	205	202	1.82	1.94	1/2"	833	-582.2	106.0	123.9
GH-130-100/O6	2262	1316	946	1009	527	147	160	150	508	100	130	545.5	161.5	384	99	617.0	271	306	113	150	50	424	205	202	2.25	2.39	1/2"	830	-585.8	106.0	123.9
GH-130-110/O6	2262	1316	946	1009	527	147	160	145	508	100	130	545.5	161.5	384	99	617.0	271	306	113	150	50	424	205	202	2.72	2.90	1/2"	831	-584.3	106.0	123.9
GH-130-115/O6	2262	1316	946	1009	527	147	160	160	508	100	130	545.5	161.5	384	99	617.0	271	306	113	150	50	424	205	202	2.97	3.17	1/2"	835	-579.3	106.0	123.9
GH-130-125/O6	2262	1316	946	1009	527	147	185	165	508	100	130	545.5	161.5	384	99	617.0	271	306	113	150	50	424	205	202	3.51	3.74	1/2"	841	-571.6	106.0	124.0
GH-130-140/O6	2262	1316	946	1009	527	147	220	170	508	100	130	545.5	161.5	384	99	617.0	271	306	113	150	50	424	205	202	4.40	4.69	1/2"	854	-555.7	106.0	124.0
GH-130-160/O6	2328	1316	1012	1009	573	167	195	195	508	100	130	545.5	161.5	384	99	617.0	271	306	113	150	50	424	205	202	5.75	6.13	3/4"	856	-551.9	106.0	124.0
GH-130-180/O6	2391	1316	1075	1009	636	167	260	260	508	100	130	545.5	161.5	384	99	617.0	271	306	113	150	50	424	205	202	7.28	7.76	3/4"	933	-457.3	106.0	124.5
GH-130-200/O6	2351	1316	1035	1009	626	137	240	240	508	100	130	545.5	161.5	384	99	617.0	271	306	113	150	50	424	205	202	8.98	9.58	3/4"	917	-473.9	106.0	124.4
GH-130-210/O6	2381	1316	1065	1009	626	167	255	255	508	100	130	545.5	161.5	384	99	617.0	271	306	113	150	50	424	205	202	9.90	10.55	3/4"	937	-451.8	106.0	124.5
GH-130-220/O6	2404	1316	1088	1009	625	191	275	275	508	100	130	545.5	161.5	384	99	617.0	271	306	113	150	50	424	205	202	10.87	11.59	3/4"	973	-415.3	106.0	124.7
GH-130-240/O6	2404	1316	1088	1009	625	191	275	300	508	100	130	545.5	161.5	384	99	617.0	271	306	113	150	50	424	205	202	12.93	13.79	3/4"	978	-409.0	106.0	124.8
GH-130-260/O6	2404	1316	1088	1009	625	191	275	300	508	100	130	545.5	161.5	384	99	617.0	271	306	113	150	50	424	205	202	15.16	16.17	1"	998	-388.8	106.0	124.8
<b>GH 160 - CARTER CARBON STEEL - FLANGE TYPE ISO F35</b>																															
GH-160-070/O0	2562	1480	1082	1099	594	147	136	135	609.6	100	160	705	240	465	105	681.8	340	380	127	150	80	530	255	222	1.36	1.45	1/2"	860	-599.0	113.9	143.5
GH-160-080/O0	2561	1480	1081	1099	593	147	140	140	609.6	100	160	705	240	465	105	681.8	340	380	127	150	80	530	255	222	1.77	1.89	1/2"	864	-593.2	113.9	143.6
GH-160-090/O0	2592	1480	1112	1099	624	147	150	150	609.6	100	160	705	240	465	105	681.8	340	380	127	150	80	530	255	222	2.24	2.39	1/2"	876	-574.9	113.9	143.8
GH-160-100/O0	2613	1480	1133	1099	625	167	180	160	609.6	100	160	705	240	465	105	681.8	340	380	127	150	80	530	255	222	2.76	2.95	1/2"	891	-554.1	113.9	144.1
GH-160-110/O0	2579	1480	1099	1099	611	147	180	160	609.6	100	160	705	240	465	105	681.8	340	380	127	150	80	530	255	222	3.34	3.57	1/2"	880	-569.1	113.9	143.9
GH-160-115/O0	2579	1480	1099	1099	611	147	160	160	609.6	100	160	705	240	465	105	681.8	340	380	127	150	80	530	255	222	3.65	3.90	1/2"	872	-580.0	113.9	143.7
GH-160-125/O0	2599	1480	1119	1099	611	167	160	160	609.6	100	160	705	240	465	105	681.8	340	380	127	150	80	530	255	222	4.32	4.61	1/2"	873	-578.2	113.9	143.7
GH-160-140/O0	2579	1480	1099	1099	611	147	220	170	609.6	100	160	705	240	465	105	681.8	340	380	127	150	80	530	255	262	5.42	5.79	1/2"	895	-547.6	113.9	144.1
GH-160-160/O0	2640	1480	1160	1099	628	191	235	185	609.6	100	160	705	240	465	105	681.8	340	380	127	150	80	530	255	262	7.08	7.56	3/4"	903	-533.5	113.9	144.3
GH-160-180/O0	2708	1480	1228	1099	696	191	340	340	609.6	100	160	705	240	465	105	681.8	340	380	127												



**GH RANGE METRIC DIMENSION DATA  
- SINGLE ACTING - FAIL OPEN - OGH000ADC REV.2**

ACTUATOR MODEL	ACTUATOR OVERALL DIMENSIONS (mm)															CARTER		SPOOL * (OPTIONAL)			CLEARANCE FOR DISASSEMBLY			DISPLACEMENT (LITRES)		X	weight	CENTER GRAVITY			
	A	B	C	B2	C2	C4	Ev	E	F	F1	G	H	K	L	N	P	AL	AR	M1	M	Weight	ES	EC	ET	Simm.	Canted	(NPT)	(Kg)	XG	ZG	YG
																		Weight													
GH-160-070/O2	3156	2074	1082	1693	594	147	136	135	609.6	100	160	705	240	465	105	681.8	340	380	127	150	80	530	255	262	1.36	1.45	1/2"	1190	-919.8	113.9	148.1
GH-160-080/O2	3155	2074	1081	1693	593	147	140	140	609.6	100	160	705	240	465	105	681.8	340	380	127	150	80	530	255	262	1.77	1.89	1/2"	1194	-914.4	113.9	148.1
GH-160-090/O2	3186	2074	1112	1693	624	147	150	150	609.6	100	160	705	240	465	105	681.8	340	380	127	150	80	530	255	262	2.24	2.39	1/2"	1206	-898.0	113.9	148.2
GH-160-100/O2	3207	2074	1133	1693	625	167	180	180	609.6	100	160	705	240	465	105	681.8	340	380	127	150	80	530	255	262	2.76	2.95	1/2"	1221	-878.8	113.9	148.4
GH-160-110/O2	3173	2074	1099	1693	611	147	180	180	609.6	100	160	705	240	465	105	681.8	340	380	127	150	80	530	255	262	3.34	3.57	1/2"	1210	-892.7	113.9	148.3
GH-160-115/O2	3173	2074	1099	1693	611	147	160	160	609.6	100	160	705	240	465	105	681.8	340	380	127	150	80	530	255	262	3.65	3.90	1/2"	1202	-902.7	113.9	148.2
GH-160-125/O2	3193	2074	1119	1693	611	167	160	160	609.6	100	160	705	240	465	105	681.8	340	380	127	150	80	530	255	262	4.32	4.61	1/2"	1203	-901.2	113.9	148.2
GH-160-140/O2	3173	2074	1099	1693	611	147	220	170	609.6	100	160	705	240	465	105	681.8	340	380	127	150	80	530	255	262	5.42	5.79	1/2"	1225	-873.0	113.9	148.4
GH-160-160/O2	3234	2074	1160	1693	628	191	235	185	609.6	100	160	705	240	465	105	681.8	340	380	127	150	80	530	255	262	7.08	7.56	3/4"	1233	-860.3	113.9	148.5
GH-160-180/O2	3302	2074	1228	1693	696	191	340	340	609.6	100	160	705	240	465	105	681.8	340	380	127	150	80	530	255	262	8.95	9.57	3/4"	1328	-745.4	113.9	149.3
GH-160-200/O2	3272	2074	1198	1693	696	161	340	340	609.6	100	160	705	240	465	105	681.8	340	380	127	150	80	530	255	262	11.05	11.81	3/4"	1335	-736.9	113.9	149.4
GH-160-210/O2	3291	2074	1217	1693	696	180	265	265	609.6	100	160	705	240	465	105	681.8	340	380	127	150	80	530	255	262	12.18	13.01	3/4"	1328	-743.6	113.9	149.3
GH-160-220/O2	3302	2074	1228	1693	696	191	265	265	609.6	100	160	705	240	465	105	681.8	340	380	127	150	80	530	255	262	13.38	14.29	3/4"	1313	-759.3	113.9	149.2
GH-160-230/O2	3299	2074	1225	1693	693	191	370	370	609.6	100	160	705	240	465	105	681.8	340	380	127	150	80	530	255	262	14.62	15.61	3/4"	1380	-689.0	113.9	149.7
GH-160-240/O2	3299	2074	1225	1693	693	191	370	370	609.6	100	160	705	240	465	105	681.8	340	380	127	150	80	530	255	262	15.92	17.00	3/4"	1410	-659.1	113.9	149.9
GH-160-260/O2	3301	2074	1227	1693	693	193	420	420	609.6	100	160	705	240	465	105	681.8	340	380	127	150	80	530	255	262	18.66	19.93	1"	1440	-629.7	113.9	150.1
GH-160-070/O3	2986	1904	1082	1523	594	147	136	135	609.6	100	160	705	240	465	105	681.8	340	380	127	150	80	530	255	262	1.36	1.45	1/2"	1153	-844.9	113.9	147.7
GH-160-080/O3	2985	1904	1081	1523	593	147	140	140	609.6	100	160	705	240	465	105	681.8	340	380	127	150	80	530	255	262	1.77	1.89	1/2"	1157	-839.7	113.9	147.7
GH-160-090/O3	3016	1904	1112	1523	624	147	150	150	609.6	100	160	705	240	465	105	681.8	340	380	127	150	80	530	255	262	2.24	2.39	1/2"	1169	-823.5	113.9	147.9
GH-160-100/O3	3037	1904	1133	1523	625	167	180	180	609.6	100	160	705	240	465	105	681.8	340	380	127	150	80	530	255	262	2.76	2.95	1/2"	1184	-804.7	113.9	148.0
GH-160-110/O3	3003	1904	1099	1523	611	147	180	180	609.6	100	160	705	240	465	105	681.8	340	380	127	150	80	530	255	262	3.34	3.57	1/2"	1173	-818.3	113.9	147.9
GH-160-115/O3	3003	1904	1099	1523	611	147	160	160	609.6	100	160	705	240	465	105	681.8	340	380	127	150	80	530	255	262	3.65	3.90	1/2"	1165	-828.2	113.9	147.8
GH-160-125/O3	3023	1904	1119	1523	611	167	160	160	609.6	100	160	705	240	465	105	681.8	340	380	127	150	80	530	255	262	4.32	4.61	1/2"	1166	-826.6	113.9	147.8
GH-160-140/O3	3003	1904	1099	1523	611	147	220	170	609.6	100	160	705	240	465	105	681.8	340	380	127	150	80	530	255	262	5.42	5.79	1/2"	1188	-798.9	113.9	148.1
GH-160-160/O3	3064	1904	1160	1523	628	191	235	185	609.6	100	160	705	240	465	105	681.8	340	380	127	150	80	530	255	262	7.08	7.56	3/4"	1196	-786.4	113.9	148.1
GH-160-180/O3	3132	1904	1228	1523	696	191	340	340	609.6	100	160	705	240	465	105	681.8	340	380	127	150	80	530	255	262	8.95	9.57	3/4"	1291	-673.6	113.9	149.0
GH-160-200/O3	3102	1904	1198	1523	696	161	340	340	609.6	100	160	705	240	465	105	681.8	340	380	127	150	80	530	255	262	11.05	11.81	3/4"	1298	-665.2	113.9	149.1
GH-160-210/O3	3121	1904	1217	1523	696	180	265	265	609.6	100	160	705	240	465	105	681.8	340	380	127	150	80	530	255	262	12.18	13.01	3/4"	1291	-671.8	113.9	149.0
GH-160-220/O3	3132	1904	1228	1523	696	191	265	265	609.6	100	160	705	240	465	105	681.8	340	380	127	150	80	530	255	262	13.38	14.29	3/4"	1276	-687.2	113.9	148.9
GH-160-230/O3	3129	1904	1225	1523	693	191	370	370	609.6	100	160	705	240	465	105	681.8	340	380	127	150	80	530	255	262	14.62	15.61	3/4"	1343	-618.5	113.9	149.4
GH-160-240/O3	3129	1904	1225	1523	693	191	370	370	609.6	100	160	705	240	465	105	681.8	340	380	127	150	80	530	255	262	15.92	17.00	3/4"	1373	-589.3	113.9	149.7
GH-160-260/O3	3131	1904	1227	1523	693	193	420	420	609.6	100	160	705	240	465	105	681.8	340	380	127	150	80	530	255	262	18.66	19.93	1"	1403	-560.6	113.9	149.9
GH-160-070/O4	2986	1904	1082	1523	594	147	136	135	609.6	100	160	705	240	465	105	681.8	340	380	127	150	80	530	255	262	1.36	1.45	1/2"	1325	-893.4	113.9	149.3
GH-160-080/O4	2985	1904	1081	1523	593	147	140	140	609.6	100	160	705	240	465	105	681.8	340	380	127	150	80	530	255	262	1.77	1.89	1/2"	1329	-878.7	113.9	149.3
GH-160-090/O4	3016	1904	1112	1523	624	147	150	150	609.6	100	160	705	240	465	105	681.8	340	380	127	150	80	530	255	262	2.24	2.39	1/2"	1341	-864.2	113.9	149.4
GH-160-100/O4	3037	1904	1133	1523	625	167	180	180	609.6	100	160	705	240	465	105	681.8	340	380	127	150	80	530	255	262	2.76	2.95	1/2"	1356	-847.3	113.9	149.5
GH-160-110/O4	3003	1904	1099	1523	611	147	180	180	609.6	100	160	705	240	465	105	681.8	340	380	127	150	80	530	255	262	3.34	3.57	1/2"	1345	-859.5	113.9	149.4
GH-160-115/O4	3003	1904	1099	1523	611	147	160	160	609.6	100	160	705	240	465	105	681.8	340	380	127	150	80	530	255	262	3.65	3.90	1/2"	1337	-868.4	113.9	149.4
GH-160-125/O4	3023	1904	1119	1523	611	167	160	160	609.6	100	160	705	240	465	105	681.8	340	380	127	150	80	530	255	262	4.32	4.61	1/2"	1338	-867.0	113.9	149.4
GH-160-140/O4	3003	1904	1099	1523	611	147	220	170	609.6	100	160	705	240	465	105	681.8	340	380	127	150	80	530	255	262	5.42	5.79	1/2"	1360	-842.2	113.9	149.6
GH-160-160/O4	3064	1904	1160	1523	628	191	235	185	609.6	100	160	705	240	465	105	681.8	340	380	127	150	80	530	255	262	7.08	7.56	3/4"	1368	-830.9	113.9	149.6
GH-160-180/O4	3132	1904	1228	1523	696	191	340	340	609.6	100	160	705	240	465	105	681.8</															





**GH RANGE METRIC DIMENSION DATA  
- SINGLE ACTING - FAIL OPEN - OGH000ADC REV.2**

ACTUATOR MODEL	ACTUATOR OVERALL DIMENSIONS (mm)															CARTER		SPOOL * (OPTIONAL)			CLEARANCE FOR DISASSEMBLY			DISPLACEMENT (LITRES)		X	weight	CENTER GRAVITY			
	A	B	C	B2	C2	C4	Ev	E	F	F1	G	H	K	L	N	P	AL	AR	M1	M	Weight	ES	EC	ET	Simm.	Canted	(NPT)	(Kg)	XG	ZG	YG
																		Weight													
GH-161-070*/O1	2919	1837	1082	1455.5	594	147	136	135	406.4	100	160	603	240	363	145	603.2	340	380	150	150	80	530	255	285	1.36	1.45	1/2"	780	-569.2	136.3	135.2
GH-161-080*/O1	2918	1837	1081	1455.5	593	147	140	140	406.4	100	160	603	240	363	145	603.2	340	380	150	150	80	530	255	285	1.77	1.89	1/2"	784	-562.9	136.3	135.3
GH-161-090*/O1	2949	1837	1112	1455.5	624	147	150	150	406.4	100	160	603	240	363	145	603.2	340	380	150	150	80	530	255	140	2.24	2.39	1/2"	796	-543.3	136.3	135.7
GH-161-100*/O1	2970	1837	1133	1455.5	625	167	180	160	406.4	100	160	603	240	363	145	603.2	340	380	150	150	80	530	255	289	2.76	2.95	1/2"	811	-520.9	136.3	136.1
GH-161-110*/O1	2936	1837	1099	1455.5	611	147	180	160	406.4	100	160	603	240	363	145	603.2	340	380	150	150	80	530	255	289	3.34	3.57	1/2"	800	-537.0	136.3	135.8
GH-161-115*/O1	2936	1837	1099	1455.5	611	147	160	160	406.4	100	160	603	240	363	145	603.2	340	380	150	150	80	530	255	289	3.65	3.90	1/2"	792	-548.7	136.3	135.6
GH-161-125*/O1	2956	1837	1119	1455.5	611	167	160	160	406.4	100	160	603	240	363	145	603.2	340	380	150	150	80	530	255	289	4.32	4.61	1/2"	793	-546.8	136.3	135.6
GH-161-140*/O1	2936	1837	1099	1455.5	611	147	220	170	406.4	100	160	603	240	363	145	603.2	340	380	150	150	80	530	255	289	5.42	5.79	1/2"	815	-513.9	136.3	136.3
GH-161-160*/O1	2997	1837	1160	1455.5	628	191	235	185	406.4	100	160	603	240	363	145	603.2	340	380	150	150	80	530	255	289	7.08	7.56	3/4"	823	-498.9	136.3	136.5
GH-161-180*/O1	3065	1837	1228	1455.5	696	191	340	340	406.4	100	160	603	240	363	145	603.2	340	380	150	150	80	530	255	289	8.95	9.57	3/4"	918	-370.1	136.3	138.9
GH-161-200*/O1	3035	1837	1198	1455.5	696	161	340	340	406.4	100	160	603	240	363	145	603.2	340	380	150	150	80	530	255	285	11.05	11.81	3/4"	925	-360.6	136.3	139.1
GH-161-210*/O1	3054	1837	1217	1455.5	696	180	265	265	406.4	100	160	603	240	363	145	603.2	340	380	150	150	80	530	255	285	12.18	13.01	3/4"	918	-367.5	136.3	138.9
GH-161-220*/O1	3065	1837	1228	1455.5	696	191	265	265	406.4	100	160	603	240	363	145	603.2	340	380	150	150	80	530	255	285	13.38	14.29	3/4"	903	-384.2	136.3	138.6
GH-161-230*/O1	3062	1837	1225	1455.5	693	191	370	370	406.4	100	160	603	240	363	145	603.2	340	380	150	150	80	530	255	285	14.62	15.61	3/4"	970	-310.0	136.3	140.1
GH-161-240*/O1	3065	1837	1228	1455.5	696	191	265	265	406.4	100	160	603	240	363	145	603.2	340	380	150	150	80	530	255	285	15.92	17.00	3/4"	1000	-279.2	136.3	140.7
GH-161-260*/O1	3064	1837	1227	1455.5	693	193	420	420	406.4	100	160	603	240	363	145	603.2	340	380	150	150	80	530	255	285	18.66	19.93	1"	1030	-249.1	136.3	141.2
GH-161-070*/O2	3156	2074	1082	1693	594	147	136	135	609.6	100	160	705	240	465	145	704.8	340	380	150	150	80	530	255	285	1.36	1.45	1/2"	1270	-862.5	136.3	144.8
GH-161-080*/O2	3155	2074	1081	1693	593	147	140	140	609.6	100	160	705	240	465	145	704.8	340	380	150	150	80	530	255	285	1.77	1.89	1/2"	1274	-857.7	136.3	144.8
GH-161-090*/O2	3186	2074	1112	1693	624	147	150	150	609.6	100	160	705	240	465	145	704.8	340	380	150	150	80	530	255	285	2.24	2.39	1/2"	1286	-842.8	136.3	145.0
GH-161-100*/O2	3207	2074	1133	1693	625	167	180	160	609.6	100	160	705	240	465	145	704.8	340	380	150	150	80	530	255	285	2.76	2.95	1/2"	1301	-825.5	136.3	145.1
GH-161-110*/O2	3173	2074	1099	1693	611	147	180	160	609.6	100	160	705	240	465	145	704.8	340	380	150	150	80	530	255	285	3.34	3.57	1/2"	1290	-838.0	136.3	145.0
GH-161-115*/O2	3173	2074	1099	1693	611	147	160	160	609.6	100	160	705	240	465	145	704.8	340	380	150	150	80	530	255	285	3.65	3.90	1/2"	1282	-847.1	136.3	144.9
GH-161-125*/O2	3193	2074	1119	1693	611	167	160	160	609.6	100	160	705	240	465	145	704.8	340	380	150	150	80	530	255	285	4.32	4.61	1/2"	1283	-845.7	136.3	144.9
GH-161-140*/O2	3173	2074	1099	1693	611	147	220	170	609.6	100	160	705	240	465	145	704.8	340	380	150	150	80	530	255	285	5.42	5.79	1/2"	1305	-820.2	136.3	145.2
GH-161-160*/O2	3234	2074	1160	1693	628	191	235	185	609.6	100	160	705	240	465	145	704.8	340	380	150	150	80	530	255	285	7.08	7.56	3/4"	1313	-808.6	136.3	145.3
GH-161-180*/O2	3302	2074	1228	1693	696	191	340	340	609.6	100	160	705	240	465	145	704.8	340	380	150	150	80	530	255	285	8.95	9.57	3/4"	1408	-703.7	136.3	146.3
GH-161-200*/O2	3272	2074	1198	1693	696	161	340	340	609.6	100	160	705	240	465	145	704.8	340	380	150	150	80	530	255	285	11.05	11.81	3/4"	1415	-695.9	136.3	146.3
GH-161-210*/O2	3291	2074	1217	1693	696	180	265	265	609.6	100	160	705	240	465	145	704.8	340	380	150	150	80	530	255	285	12.18	13.01	3/4"	1408	-702.0	136.3	146.3
GH-161-220*/O2	3302	2074	1228	1693	696	191	265	265	609.6	100	160	705	240	465	145	704.8	340	380	150	150	80	530	255	285	13.38	14.29	3/4"	1393	-716.4	136.3	146.1
GH-161-230*/O2	3299	2074	1225	1693	693	191	370	370	609.6	100	160	705	240	465	145	704.8	340	380	150	150	80	530	255	285	14.62	15.61	3/4"	1460	-651.9	136.3	146.7
GH-161-240*/O2	3302	2074	1228	1693	696	191	265	265	609.6	100	160	705	240	465	145	704.8	340	380	150	150	80	530	255	285	15.92	17.00	3/4"	1490	-624.3	136.3	147.0
GH-161-260*/O2	3301	2074	1227	1693	693	193	420	420	609.6	100	160	705	240	465	145	704.8	340	380	150	150	80	530	255	285	18.66	19.93	1"	1520	-597.1	136.3	147.3
GH-161-070*/O3	2986	1904	1082	1523	594	147	136	135	609.6	100	160	705	240	465	145	704.8	340	380	150	150	80	530	255	285	1.36	1.45	1/2"	1233	-790.9	136.3	144.4
GH-161-080*/O3	2985	1904	1081	1523	593	147	140	140	609.6	100	160	705	240	465	145	704.8	340	380	150	150	80	530	255	285	1.77	1.89	1/2"	1237	-786.2	136.3	144.4
GH-161-090*/O3	3016	1904	1112	1523	624	147	150	150	609.6	100	160	705	240	465	145	704.8	340	380	150	150	80	530	255	285	2.24	2.39	1/2"	1249	-771.5	136.3	144.5
GH-161-100*/O3	3037	1904	1133	1523	625	167	180	160	609.6	100	160	705	240	465	145	704.8	340	380	150	150	80	530	255	285	2.76	2.95	1/2"	1264	-754.5	136.3	144.7
GH-161-110*/O3	3003	1904	1099	1523	611	147	180	160	609.6	100	160	705	240	465	145	704.8	340	380	150	150	80	530	255	285	3.34	3.57	1/2"	1253	-766.7	136.3	144.6
GH-161-115*/O3	3003	1904	1099	1523	611	147	160	160	609.6	100	160	705	240	465	145	704.8	340	380	150	150	80	530	255	285	3.65	3.90	1/2"	1245	-775.7	136.3	144.5
GH-161-125*/O3	3023	1904	1119	1523	611	167	160	160	609.6	100	160	705	240	465	145	704.8	340	380	150	150	80	530	255	285	4.32	4.61	1/2"	1246	-774.3	136.3	144.5
GH-161-140*/O3	3003	1904	1099	1523	611	147	220	170	609.6	100	160	705	240	465	145	704.8	340	380	150	150	80	530	255	285	5.42	5.79	1/2"	1268	-749.2	136.3	144.7
GH-161-160*/O3	3064	1904	1160	1523	628	191	235	185	609.6	100	160	705	240	465	145	704.8	340	380	150	150	80	530	255	285	7.08	7.56	3/4"	1276	-737.8	136.3	144.8
GH-161-180*/O3	3132	1904	1228	1523	696	191	340	340	609.																						





**GH RANGE METRIC DIMENSION DATA  
- SINGLE ACTING - FAIL OPEN - OGH000ADC REV.2**

ACTUATOR MODEL	ACTUATOR OVERALL DIMENSIONS (mm)															CARTER		SPOOL * (OPTIONAL)			CLEARANCE FOR DISASSEMBLY			DISPLACEMENT (LITRES)		X	weight	CENTER GRAVITY			
	A	B	C	B2	C2	C4	Ev	E	F	F1	G	H	K	L	N	P	AL	AR	M1	M	Weight	ES	EC	ET	Simm.	Canted	(NPT)	(Kg)	XG	ZG	YG
																		AL	AR	M1	M	Weight	ES	EC	ET	Simm.	Canted	(NPT)	(Kg)	XG	ZG
GH-161-070/O5	2997	1915	1082	1534	594	147	136	135	609.6	100	160	705	240	465	145	704.8	340	380	150	150	80	530	255	285	1.36	1.45	1/2"	1405	-837.8	136.3	146.2
GH-161-080/O5	2996	1915	1081	1534	593	147	140	140	609.6	100	160	705	240	465	145	704.8	340	380	150	150	80	530	255	285	1.77	1.89	1/2"	1409	-833.6	136.3	146.3
GH-161-090/O5	3027	1915	1112	1534	624	147	150	150	609.6	100	160	705	240	465	145	704.8	340	380	150	150	80	530	255	285	2.24	2.39	1/2"	1421	-820.3	136.3	146.4
GH-161-100/O5	3048	1915	1133	1534	625	167	180	160	609.6	100	160	705	240	465	145	704.8	340	380	150	150	80	530	255	285	2.76	2.95	1/2"	1436	-804.8	136.3	146.5
GH-161-110/O5	3014	1915	1099	1534	611	147	180	160	609.6	100	160	705	240	465	145	704.8	340	380	150	150	80	530	255	285	3.34	3.57	1/2"	1425	-816.0	136.3	146.4
GH-161-115/O5	3014	1915	1099	1534	611	147	160	160	609.6	100	160	705	240	465	145	704.8	340	380	150	150	80	530	255	285	3.65	3.90	1/2"	1417	-824.1	136.3	146.3
GH-161-125/O5	3034	1915	1119	1534	611	167	160	160	609.6	100	160	705	240	465	145	704.8	340	380	150	150	80	530	255	285	4.32	4.61	1/2"	1418	-822.9	136.3	146.4
GH-161-140/O5	3014	1915	1099	1534	611	147	220	170	609.6	100	160	705	240	465	145	704.8	340	380	150	150	80	530	255	285	5.42	5.79	1/2"	1440	-800.0	136.3	146.6
GH-161-160/O5	3075	1915	1160	1534	628	191	235	185	609.6	100	160	705	240	465	145	704.8	340	380	150	150	80	530	255	285	7.08	7.56	3/4"	1448	-789.7	136.3	146.6
GH-161-180/O5	3143	1915	1228	1534	696	191	340	340	609.6	100	160	705	240	465	145	704.8	340	380	150	150	80	530	255	285	8.95	9.57	3/4"	1543	-695.1	136.3	147.5
GH-161-200/O5	3113	1915	1198	1534	696	161	340	340	609.6	100	160	705	240	465	145	704.8	340	380	150	150	80	530	255	285	11.05	11.81	3/4"	1550	-688.0	136.3	147.5
GH-161-210/O5	3132	1915	1217	1534	696	180	265	265	609.6	100	160	705	240	465	145	704.8	340	380	150	150	80	530	255	285	12.18	13.01	3/4"	1543	-693.5	136.3	147.5
GH-161-220/O5	3143	1915	1228	1534	696	191	265	265	609.6	100	160	705	240	465	145	704.8	340	380	150	150	80	530	255	285	13.38	14.29	3/4"	1528	-706.6	136.3	147.3
GH-161-230/O5	3140	1915	1225	1534	693	191	370	370	609.6	100	160	705	240	465	145	704.8	340	380	150	150	80	530	255	285	14.62	15.61	3/4"	1595	-648.0	136.3	147.9
GH-161-240/O5	3143	1915	1228	1534	696	191	265	265	609.6	100	160	705	240	465	145	704.8	340	380	150	150	80	530	255	285	15.92	17.00	3/4"	1625	-622.7	136.3	148.1
GH-161-260/O5	3142	1915	1227	1534	693	193	420	420	609.6	100	160	705	240	465	145	704.8	340	380	150	150	80	530	255	285	18.66	19.93	1"	1655	-597.8	136.3	148.3
<b>GH 200 - CARTER CARBON STEEL - FLANGE TYPE ISO F40</b>																															
GH-200-090/O1	3362	1993	1369	1517	731	212	150	150	609.6	100	200	785	280	505	128	757.8	425	475	153	200	165	663	320	271	2.80	2.99	1/2"	1537	-779.4	137.9	177.3
GH-200-100/O1	3385	1993	1392	1517	752	214	190	190	609.6	100	200	785	280	505	128	757.8	425	475	153	200	165	663	320	271	3.45	3.69	1/2"	1567	-748.5	137.9	177.8
GH-200-110/O1	3383	1993	1390	1517	752	212	190	190	609.6	100	200	785	280	505	128	757.8	425	475	153	200	165	663	320	271	4.18	4.47	1/2"	1559	-756.1	137.9	177.7
GH-200-125/O1	3385	1993	1392	1517	768	198	210	210	609.6	100	200	785	280	505	128	757.8	425	475	153	200	165	663	320	271	5.40	5.77	1/2"	1594	-720.1	137.9	178.1
GH-200-140/O1	3385	1993	1392	1517	768	198	260	290	609.6	100	200	785	280	505	128	757.8	425	475	153	200	165	663	320	271	6.77	7.23	1/2"	1647	-670.5	137.9	178.9
GH-200-160/O1	3430	1993	1437	1517	813	198	340	340	609.6	100	200	785	280	505	128	757.8	425	475	153	200	165	663	320	271	8.84	9.45	3/4"	1697	-623.3	137.9	179.5
GH-200-170/O1	3425	1993	1432	1517	808	198	340	340	609.6	100	200	785	280	505	128	757.8	425	475	153	200	165	663	320	271	11.19	11.96	3/4"	1682	-636.2	137.9	179.3
GH-200-180/O1	3425	1993	1432	1517	808	198	340	340	609.6	100	200	785	280	505	128	757.8	425	475	153	200	165	663	320	271	13.82	14.76	3/4"	1682	-635.8	137.9	179.3
GH-200-200/O1	3501	1993	1508	1517	850	232	270	240	609.6	100	200	785	280	505	128	757.8	425	475	153	200	165	663	320	271	15.22	16.26	3/4"	1682	-629.6	137.9	179.3
GH-200-210/O1	3459	1993	1466	1517	808	232	365	365	609.6	100	200	785	280	505	128	757.8	425	475	153	200	165	663	320	271	16.72	17.86	3/4"	1752	-575.8	137.9	180.1
GH-200-220/O1	3424	1993	1431	1517	808	197	340	340	609.6	100	200	785	280	505	128	757.8	425	475	153	200	165	663	320	271	18.27	19.51	3/4"	1702	-615.5	137.9	179.5
GH-200-230/O1	3424	1993	1431	1517	808	197	370	370	609.6	100	200	785	280	505	128	757.8	425	475	153	200	165	663	320	271	19.90	21.25	3/4"	1727	-595.1	137.9	179.8
GH-200-240/O1	3486	1993	1493	1517	835	232	420	420	609.6	100	200	785	280	505	128	757.8	425	475	153	200	165	663	320	271	23.32	24.91	3/4"	1857	-494.1	137.9	181.2
GH-200-250/O1	3499	1993	1506	1517	808	272	420	420	609.6	100	200	785	280	505	128	757.8	425	475	153	200	165	663	320	271	21.56	23.03	1"	1752	-573.5	137.9	180.1
GH-200-260/O1	3499	1993	1506	1517	808	272	420	420	609.6	100	200	785	280	505	128	757.8	425	475	153	200	165	663	320	271	23.32	24.91	1"	1797	-537.8	137.9	180.6
GH-200-280/O1	3499	1993	1506	1517	808	272	430	430	609.6	100	200	785	280	505	128	757.8	425	475	153	200	165	663	320	271	27.08	28.93	1"	1852	-496.2	137.9	181.2
GH-200-300/O1	3459	1993	1466	1517	808	232	420	420	609.6	100	200	785	280	505	128	757.8	425	475	153	200	165	663	320	271	31.09	33.21	3/4"	1817	-520.1	137.9	180.8
GH-200-320/O1	3424	1993	1431	1517	808	197	470	470	609.6	100	200	785	280	505	128	757.8	425	475	153	200	165	663	320	271	35.37	37.78	3/4"	1892	-465.3	137.9	181.6
GH-200-340/O1	3417	1993	1424	1517	801	197	500	500	609.6	100	200	785	280	505	128	757.8	425	475	153	200	165	663	320	271	39.91	42.63	1"	1897	-461.4	137.9	181.6
GH-200-360/O1	3417	1993	1424	1517	801	197	500	500	609.6	100	200	785	280	505	128	757.8	425	475	153	200	165	663	320	271	44.76	47.81	1"	2007	-389.4	137.9	182.6
GH-200-380/O1	3417	1993	1424	1517	801	197	500	500	609.6	100	200	785	280	505	128	757.8	425	475	153	200	165	663	320	271	49.96	53.37	1"	2017	-381.8	137.9	182.7
GH-200-090/O2	3362	1993	1369	1517	731	212	150	150	609.6	100	200	785	280	505	128	757.8	425	475	153	200	165	663	320	271	2.80	2.99	1/2"	1590	-794.5	137.9	178.1
GH-200-100/O2	3385	1993	1392	1517	752	214	190	190	609.6	100	200	785	280	505	128	757.8	425	475	153	200	165	663	320	271	3.45	3.69	1/2"	1620	-764.3	137.9	178.5
GH-200-110/O2	3383	1993	1390	1517	752	212	190	190	609.6	100	200	785	280	505	128	757.8	425	475	153	200	165	663	320	271	4.18	4.47	1/2"	1612	-771.8	137.9	178.4
GH-200-125/O2	3385	1993	1392	1517	768	198	210	210	609.6	100	200	785	280	505	128	757.8	425	475	153	200	165	663	320	271	5.40	5.77	1/2"	1647	-736.6	137.9	178.9
GH-200-140/O2	338																														



**GH RANGE METRIC DIMENSION DATA  
- SINGLE ACTING - FAIL OPEN - OGH000ADC REV.2**

ACTUATOR MODEL	ACTUATOR OVERALL DIMENSIONS (mm)															CARTER		SPOOL * (OPTIONAL)			CLEARANCE FOR DISASSEMBLY			DISPLACEMENT (LITRES)		X	weight	CENTER GRAVITY				
	A	B	C	B2	C2	C4	Ev	E	F	F1	G	H	K	L	N	P	AL	AR	M1	M	Weight	ES	EC	ET	Simm.	Canted	( NPT )	( Kg )	XG	ZG	YG	
	GH 201 - CARTER CARBON STEEL - FLANGE TYPE ISO F40																															
GH-201*-090/O3	3958	2589	1369	2113	731	212	150	150	609.6	100	200	785	280	505	149	767.8	425	475	163	200	165	663	320	302	2.80	2.99	1/2"	2221	-1032.0	147.8	181.8	
GH-201*-100/O3	3981	2589	1392	2113	752	214	190	190	609.6	100	200	785	280	505	149	767.8	425	475	163	200	165	663	320	302	3.45	3.69	1/2"	2251	-1007.1	147.8	182.0	
GH-201*-110/O3	3979	2589	1390	2113	752	212	190	190	609.6	100	200	785	280	505	149	767.8	425	475	163	200	165	663	320	302	4.18	4.47	1/2"	2243	-1013.3	147.8	181.9	
GH-201*-125/O3	3981	2589	1392	2113	768	198	210	210	609.6	100	200	785	280	505	149	767.8	425	475	163	200	165	663	320	302	5.40	5.77	1/2"	2278	-984.1	147.8	182.2	
GH-201*-140/O3	3981	2589	1392	2113	768	198	260	290	609.6	100	200	785	280	505	149	767.8	425	475	163	200	165	663	320	302	6.77	7.23	1/2"	2331	-943.1	147.8	182.6	
GH-201*-160/O3	4026	2589	1437	2113	813	198	340	340	609.6	100	200	785	280	505	149	767.8	425	475	163	200	165	663	320	302	8.84	9.45	3/4"	2381	-903.7	147.8	183.0	
GH-201*-170/O3	4021	2589	1432	2113	808	198	340	340	609.6	100	200	785	280	505	149	767.8	425	475	163	200	165	663	320	302	11.19	11.96	3/4"	2366	-914.7	147.8	182.9	
GH-201*-180/O3	4021	2589	1432	2113	808	198	340	340	609.6	100	200	785	280	505	149	767.8	425	475	163	200	165	663	320	302	13.82	14.76	3/4"	2366	-914.3	147.8	182.9	
GH-201*-200/O3	4097	2589	1508	2113	850	232	270	240	609.6	100	200	785	280	505	149	767.8	425	475	163	200	165	663	320	302	16.22	16.26	3/4"	2366	-909.9	147.8	182.9	
GH-201*-210/O3	4055	2589	1466	2113	808	232	365	365	609.6	100	200	785	280	505	149	767.8	425	475	163	200	165	663	320	302	16.72	17.86	3/4"	2436	-863.2	147.8	183.4	
GH-201*-220/O3	4020	2589	1431	2113	808	197	340	340	609.6	100	200	785	280	505	149	767.8	425	475	163	200	165	663	320	302	18.27	19.51	3/4"	2386	-898.2	147.8	183.0	
GH-201*-230/O3	4020	2589	1431	2113	808	197	370	370	609.6	100	200	785	280	505	149	767.8	425	475	163	200	165	663	320	302	19.90	21.25	3/4"	2411	-880.0	147.8	183.2	
GH-201*-240/O3	4082	2589	1493	2113	835	232	420	420	609.6	100	200	785	280	505	149	767.8	425	475	163	200	165	663	320	302	23.32	24.91	3/4"	2541	-791.6	147.8	184.1	
GH-201*-250/O3	4095	2589	1506	2113	808	272	420	420	609.6	100	200	785	280	505	149	767.8	425	475	163	200	165	663	320	302	21.56	23.03	1"	2436	-861.5	147.8	183.4	
GH-201*-260/O3	4095	2589	1506	2113	808	272	420	420	609.6	100	200	785	280	505	149	767.8	425	475	163	200	165	663	320	302	23.32	24.91	1"	2481	-830.4	147.8	183.7	
GH-201*-280/O3	4095	2589	1506	2113	808	272	430	430	609.6	100	200	785	280	505	149	767.8	425	475	163	200	165	663	320	302	27.08	28.93	1"	2536	-793.7	147.8	184.0	
GH-201*-300/O3	4055	2589	1466	2113	808	232	420	420	609.6	100	200	785	280	505	149	767.8	425	475	163	200	165	663	320	302	31.09	33.21	3/4"	2501	-815.3	147.8	183.8	
GH-201*-320/O3	4020	2589	1431	2113	808	197	470	470	609.6	100	200	785	280	505	149	767.8	425	475	163	200	165	663	320	302	35.37	37.78	3/4"	2576	-766.4	147.8	184.3	
GH-201*-340/O3	4013	2589	1424	2113	801	197	500	500	609.6	100	200	785	280	505	149	767.8	425	475	163	200	165	663	320	302	39.91	42.63	1"	2581	-762.9	147.8	184.3	
GH-201*-360/O3	4013	2589	1424	2113	801	197	500	500	609.6	100	200	785	280	505	149	767.8	425	475	163	200	165	663	320	302	44.76	47.81	1"	2691	-696.9	147.8	184.9	
GH-201*-380/O3	4013	2589	1424	2113	801	197	500	500	609.6	100	200	785	280	505	149	767.8	425	475	163	200	165	663	320	302	49.96	53.37	1"	2701	-690.1	147.8	185.0	
GH-201*-090/O7	3986	2617	1369	2141	731	212	150	150	609.6	100	200	785	280	505	149	767.8	425	475	163	200	165	663	320	302	2.80	2.99	1/2"	2238	-1045.5	147.8	181.9	
GH-201*-100/O7	4009	2617	1392	2141	752	214	190	190	609.6	100	200	785	280	505	149	767.8	425	475	163	200	165	663	320	302	3.45	3.69	1/2"	2268	-1020.6	147.8	182.1	
GH-201*-110/O7	4007	2617	1390	2141	752	212	190	190	609.6	100	200	785	280	505	149	767.8	425	475	163	200	165	663	320	302	4.18	4.47	1/2"	2260	-1026.9	147.8	182.1	
GH-201*-125/O7	4009	2617	1392	2141	768	198	210	210	609.6	100	200	785	280	505	149	767.8	425	475	163	200	165	663	320	302	5.40	5.77	1/2"	2295	-997.7	147.8	182.4	
GH-201*-140/O7	4009	2617	1392	2141	768	198	260	290	609.6	100	200	785	280	505	149	767.8	425	475	163	200	165	663	320	302	6.77	7.23	1/2"	2348	-956.6	147.8	182.8	
GH-201*-160/O7	4054	2617	1437	2141	813	198	340	340	609.6	100	200	785	280	505	149	767.8	425	475	163	200	165	663	320	302	8.84	9.45	3/4"	2398	-917.2	147.8	183.1	
GH-201*-170/O7	4049	2617	1432	2141	808	198	340	340	609.6	100	200	785	280	505	149	767.8	425	475	163	200	165	663	320	302	11.19	11.96	3/4"	2383	-928.2	147.8	183.0	
GH-201*-180/O7	4049	2617	1432	2141	808	198	340	340	609.6	100	200	785	280	505	149	767.8	425	475	163	200	165	663	320	302	13.82	14.76	3/4"	2383	-927.9	147.8	183.0	
GH-201*-200/O7	4125	2617	1508	2141	850	232	270	240	609.6	100	200	785	280	505	149	767.8	425	475	163	200	165	663	320	302	16.22	16.26	3/4"	2383	-923.5	147.8	183.0	
GH-201*-210/O7	4083	2617	1466	2141	808	232	365	365	609.6	100	200	785	280	505	149	767.8	425	475	163	200	165	663	320	302	16.72	17.86	3/4"	2453	-876.7	147.8	183.5	
GH-201*-220/O7	4048	2617	1431	2141	808	197	340	340	609.6	100	200	785	280	505	149	767.8	425	475	163	200	165	663	320	302	18.27	19.51	3/4"	2403	-911.8	147.8	183.1	
GH-201*-230/O7	4048	2617	1431	2141	808	197	370	370	609.6	100	200	785	280	505	149	767.8	425	475	163	200	165	663	320	302	19.90	21.25	3/4"	2428	-893.5	147.8	183.3	
GH-201*-240/O7	4110	2617	1493	2141	835	232	420	420	609.6	100	200	785	280	505	149	767.8	425	475	163	200	165	663	320	302	23.32	24.91	3/4"	2558	-805.0	147.8	184.2	
GH-201*-250/O7	4123	2617	1506	2141	808	272	420	420	609.6	100	200	785	280	505	149	767.8	425	475	163	200	165	663	320	302	21.56	23.03	1"	2453	-875.0	147.8	183.5	
GH-201*-260/O7	4123	2617	1506	2141	808	272	420	420	609.6	100	200	785	280	505	149	767.8	425	475	163	200	165	663	320	302	23.32	24.91	1"	2498	-843.9	147.8	183.8	
GH-201*-280/O7	4123	2617	1506	2141	808	272	430	430	609.6	100	200	785	280	505	149	767.8	425	475	163	200	165	663	320	302	27.08	28.93	1"	2553	-807.1	147.8	184.1	
GH-201*-300/O7	4083	2617	1466	2141	808	232	420	420	609.6	100	200	785	280	505	149	767.8	425	475	163	200	165	663	320	302	31.09	33.21	3/4"	2518	-828.7	147.8	183.9	
GH-201*-320/O7	4048	2617	1431	2141	808	197	470	470	609.6	100	200	785	280	505	149	767.8	425	475	163	200	165	663	320	302	35.37	37.78	3/4"	2593	-779.8	147.8	184.4	
GH-201*-340/O7	4041	2617	1424	2141	801	197	500	500	609.6	100	200	785	280	505	149	767.8	425	475	163	200	165	663	320	302	39.91	42.63	1"	2598	-776.3	147.8	184.4	
GH-201*-360/O7	4041	2617	1424	2141	801	197	500	500	609.6	100	200	785	280	505	149	767.8	425	475	163	200	165	663	320	302	44.76	47.81	1"	2708	-710.2	147.8	185.0	
GH-201*-380/O7	4041	2617	1424	2141	801	197	500	500	609.6	100	200																					



**GH RANGE METRIC DIMENSION DATA  
- SINGLE ACTING - FAIL OPEN - OGH000ADC REV.2**

ACTUATOR MODEL	ACTUATOR OVERALL DIMENSIONS (mm)															CARTER		SPOOL * (OPTIONAL)			CLEARANCE FOR DISASSEMBLY			DISPLACEMENT (LITRES)		X	weight	CENTER GRAVITY			
	A	B	C	B2	C2	C4	Ev	E	F	F1	G	H	K	L	N	P	AL	AR	M1	M	Weight	ES	EC	ET	Simm.	Canted	(NPT)	(Kg)	XG	ZG	YG
																		AL	AR	M1	M	Weight	ES	EC	ET	Simm.	Canted	(NPT)	(Kg)	XG	ZG
GH-270-125/O2	5019	3246	1773	2665	990	272	265	290	711.2	150	270	936	310	626	164	935.6	510	580	180	250	240	800	390	334	7.29	9.77	3/4"	3734	-1334.9	168.9	249.0
GH-270-140/O2	5019	3246	1773	2665	990	272	265	290	711.2	150	270	936	310	626	164	935.6	510	580	180	250	240	800	390	334	9.14	9.77	3/4"	3789	-1300.6	168.9	249.3
GH-270-160/O2	5039	3246	1793	2665	1010	272	300	335	711.2	150	270	936	310	626	164	935.6	510	580	180	250	240	800	390	334	11.94	12.76	3/4"	3819	-1281.3	168.9	249.4
GH-270-180/O2	5069	3246	1823	2665	1040	272	270	240	711.2	150	270	936	310	626	164	935.6	510	580	180	250	240	800	390	334	18.65	19.94	3/4"	3794	-1294.3	168.9	249.3
GH-270-200/O2	5045	3246	1799	2665	1016	272	270	240	711.2	150	270	936	310	626	164	935.6	510	580	180	250	240	800	390	334	20.55	21.97	3/4"	3819	-1279.5	168.9	249.4
GH-270-220/O2	5049	3246	1803	2665	1020	272	290	290	711.2	150	270	936	310	626	164	935.6	510	580	180	250	240	800	390	334	24.66	26.37	1"	3834	-1269.5	168.9	249.5
GH-270-240/O2	5068	3246	1822	2665	1009	302	420	420	711.2	150	270	936	310	626	164	935.6	510	580	180	250	240	800	390	334	31.48	33.66	3/4"	4009	-1172.4	168.9	250.4
GH-270-250/O2	5068	3246	1822	2665	1009	302	420	420	711.2	150	270	936	310	626	164	935.6	510	580	180	250	240	800	390	334	29.11	31.12	3/4"	4009	-1172.3	168.9	250.4
GH-270-260/O2	5031	3246	1785	2665	1002	272	400	400	711.2	150	270	936	310	626	164	935.6	510	580	180	250	240	800	390	334	31.48	33.66	1"	3904	-1229.4	168.9	249.9
GH-270-280/O2	5031	3246	1785	2665	1002	272	430	430	711.2	150	270	936	310	626	164	935.6	510	580	180	250	240	800	390	334	36.56	39.08	1"	3989	-1182.2	168.9	250.3
GH-270-300/O2	5011	3246	1765	2665	982	272	420	420	711.2	150	270	936	310	626	164	935.6	510	580	180	250	240	800	390	334	41.97	44.86	3/4"	3924	-1219.8	168.9	250.0
GH-270-320/O2	5011	3246	1765	2665	982	272	440	440	711.2	150	270	936	310	626	164	935.6	510	580	180	250	240	800	390	334	47.75	51.05	3/4"	3944	-1207.9	168.9	250.1
GH-270-360/O2	5031	3246	1785	2665	1002	272	530	530	711.2	150	270	936	310	626	164	935.6	510	580	180	250	240	800	390	334	60.43	64.60	1"	4139	-1102.1	168.9	251.0
GH-270-380/O2	5041	3246	1795	2665	1000	284	550	550	711.2	150	270	936	310	626	164	935.6	510	580	180	250	240	800	390	334	67.45	72.10	1"	4149	-1091.6	168.9	251.1
GH-270-400/O2	5041	3246	1795	2665	1000	284	550	550	711.2	150	270	936	310	626	164	935.6	510	580	180	250	240	800	390	334	74.61	79.76	1"	4184	-1073.8	168.9	251.2
GH-270-125/O3	5019	3246	1773	2665	990	272	265	290	711.2	150	270	936	310	626	164	935.6	510	580	180	250	240	800	390	334	7.29	9.77	3/4"	3748	-1337.1	168.9	249.1
GH-270-140/O3	5019	3246	1773	2665	990	272	265	290	711.2	150	270	936	310	626	164	935.6	510	580	180	250	240	800	390	334	9.14	9.77	3/4"	3803	-1302.8	168.9	249.4
GH-270-160/O3	5039	3246	1793	2665	1010	272	300	335	711.2	150	270	936	310	626	164	935.6	510	580	180	250	240	800	390	334	11.94	12.76	3/4"	3833	-1283.6	168.9	249.5
GH-270-180/O3	5069	3246	1823	2665	1040	272	270	240	711.2	150	270	936	310	626	164	935.6	510	580	180	250	240	800	390	334	18.65	19.94	3/4"	3808	-1296.6	168.9	249.4
GH-270-200/O3	5045	3246	1799	2665	1016	272	270	240	711.2	150	270	936	310	626	164	935.6	510	580	180	250	240	800	390	334	20.55	21.97	3/4"	3833	-1281.8	168.9	249.5
GH-270-220/O3	5049	3246	1803	2665	1020	272	290	290	711.2	150	270	936	310	626	164	935.6	510	580	180	250	240	800	390	334	24.66	26.37	1"	3848	-1271.8	168.9	249.6
GH-270-240/O3	5068	3246	1822	2665	1009	302	420	420	711.2	150	270	936	310	626	164	935.6	510	580	180	250	240	800	390	334	31.48	33.66	3/4"	4023	-1175.0	168.9	250.5
GH-270-250/O3	5068	3246	1822	2665	1009	302	420	420	711.2	150	270	936	310	626	164	935.6	510	580	180	250	240	800	390	334	29.11	31.12	3/4"	4023	-1174.9	168.9	250.5
GH-270-260/O3	5031	3246	1785	2665	1002	272	400	400	711.2	150	270	936	310	626	164	935.6	510	580	180	250	240	800	390	334	31.48	33.66	1"	3918	-1231.8	168.9	250.0
GH-270-280/O3	5031	3246	1785	2665	1002	272	430	430	711.2	150	270	936	310	626	164	935.6	510	580	180	250	240	800	390	334	36.56	39.08	1"	4003	-1183.7	168.9	250.4
GH-270-300/O3	5011	3246	1765	2665	982	272	420	420	711.2	150	270	936	310	626	164	935.6	510	580	180	250	240	800	390	334	41.97	44.86	3/4"	3938	-1222.2	168.9	250.1
GH-270-320/O3	5011	3246	1765	2665	982	272	440	440	711.2	150	270	936	310	626	164	935.6	510	580	180	250	240	800	390	334	47.75	51.05	3/4"	3958	-1210.4	168.9	250.2
GH-270-360/O3	5031	3246	1785	2665	1002	272	530	530	711.2	150	270	936	310	626	164	935.6	510	580	180	250	240	800	390	334	60.43	64.60	1"	4153	-1104.9	168.9	251.1
GH-270-380/O3	5041	3246	1795	2665	1000	284	550	550	711.2	150	270	936	310	626	164	935.6	510	580	180	250	240	800	390	334	67.45	72.10	1"	4163	-1094.3	168.9	251.1
GH-270-400/O3	5041	3246	1795	2665	1000	284	550	550	711.2	150	270	936	310	626	164	935.6	510	580	180	250	240	800	390	334	74.61	79.76	1"	4198	-1076.6	168.9	251.3
GH-270-125/O4	5079	3306	1773	2725	990	272	265	290	711.2	150	270	936	310	626	164	935.6	510	580	180	250	240	800	390	334	7.29	9.77	3/4"	3412	-1301.8	168.9	247.0
GH-270-140/O4	5079	3306	1773	2725	990	272	265	290	711.2	150	270	936	310	626	164	935.6	510	580	180	250	240	800	390	334	9.14	9.77	3/4"	3467	-1264.7	168.9	247.4
GH-270-160/O4	5099	3306	1793	2725	1010	272	300	335	711.2	150	270	936	310	626	164	935.6	510	580	180	250	240	800	390	334	11.94	12.76	3/4"	3497	-1244.0	168.9	247.6
GH-270-180/O4	5129	3306	1823	2725	1040	272	270	240	711.2	150	270	936	310	626	164	935.6	510	580	180	250	240	800	390	334	18.65	19.94	3/4"	3472	-1258.0	168.9	247.4
GH-270-200/O4	5105	3306	1799	2725	1016	272	270	240	711.2	150	270	936	310	626	164	935.6	510	580	180	250	240	800	390	334	20.55	21.97	3/4"	3497	-1242.0	168.9	247.6
GH-270-220/O4	5109	3306	1803	2725	1020	272	290	290	711.2	150	270	936	310	626	164	935.6	510	580	180	250	240	800	390	334	24.66	26.37	1"	3512	-1231.3	168.9	247.7
GH-270-240/O4	5128	3306	1822	2725	1009	302	420	420	711.2	150	270	936	310	626	164	935.6	510	580	180	250	240	800	390	334	31.48	33.66	3/4"	3687	-1127.6	168.9	248.7
GH-270-250/O4	5128	3306	1822	2725	1009	302	420	420	711.2	150	270	936	310	626	164	935.6	510	580	180	250	240	800	390	334	29.11	31.12	3/4"	3687	-1127.4	168.9	248.7
GH-270-260/O4	5091	3306	1785	2725	1002	272	400	400	711.2	150	270	936	310	626	164	935.6	510	580	180	250	240	800	390	334	31.48	33.66	1"	3582	-1188.3	168.9	248.1
GH-270-280/O4	5091	3306	1785	2725	1002	272	430	430	711.2	150	270	936	310	626	164	935.6	510	580	180	250	240	800	390	334	36.56	39.08	1"	3667	-1136.8	168.9	248.6
GH-270-300/O4	5071	3306	1765	2725	982	272	420	420	711.2	150	270	936	310	626	164	935.6	510	580	180	250	240	800	390	334	41.97	44.86	3/4"	3602			



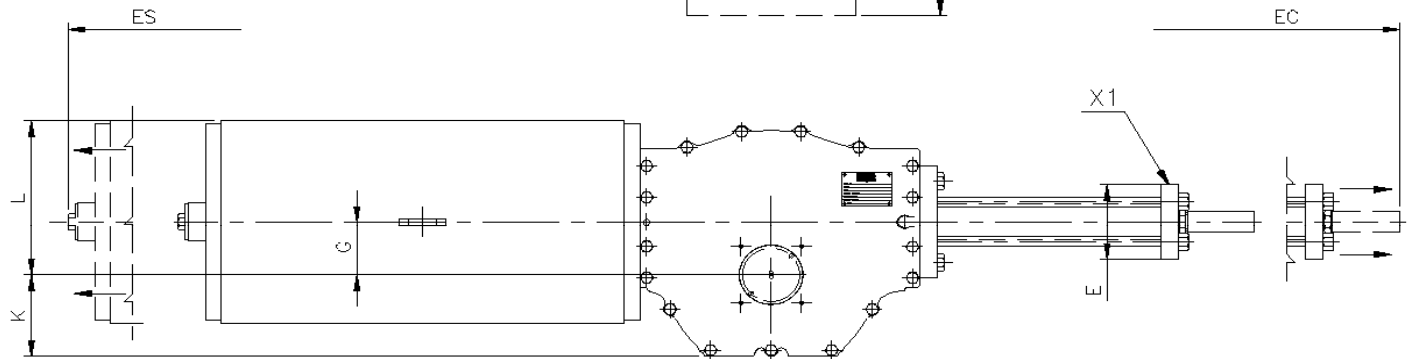
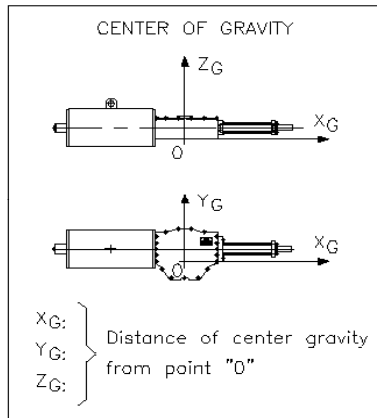
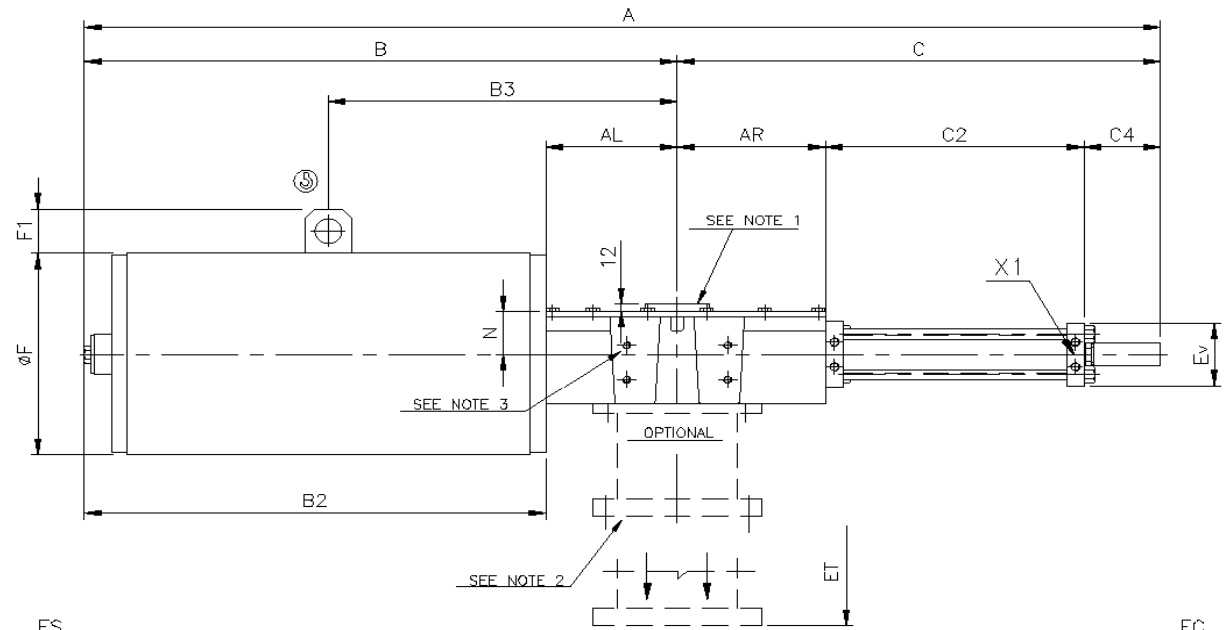
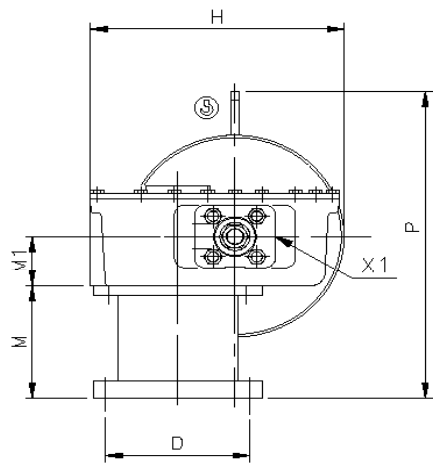
**GH RANGE METRIC DIMENSION DATA  
- SINGLE ACTING - FAIL OPEN - OGHA000ADC REV.2**

ACTUATOR MODEL	ACTUATOR OVERALL DIMENSIONS (mm)															CARTER		SPOOL * (OPTIONAL)		CLEARANCE FOR DISASSEMBLY			DISPLACEMENT (LITRES)		X	weight	CENTER GRAVITY				
	A	B	C	B2	C2	C4	Ev	E	F	F1	G	H	K	L	N	P	AL	AR	M1	M	Weight	ES	EC	ET	Simm.	Canted	(NPT)	(Kg)	XG	ZG	YG
																		Weight													
GH-271*-140*/O2	5048	3246	1802	2665	1017	274	375	375	711.2	150	270	966	340	626	192	995.6	510	580	210	280	365	800	390	392	9.14	9.77	3/4"	3887	-1260.0	196.3	244.1
GH-271*-160*/O2	5048	3246	1802	2665	1017	274	375	375	711.2	150	270	966	340	626	192	995.6	510	580	210	280	365	800	390	392	11.94	12.76	3/4"	3912	-1245.1	196.3	244.3
GH-271*-180*/O2	5048	3246	1802	2665	1017	274	375	375	711.2	150	270	966	340	626	192	995.6	510	580	210	280	365	800	390	392	18.65	19.94	3/4"	3887	-1258.8	196.3	244.1
GH-271*-200*/O2	5048	3246	1802	2665	1017	274	375	375	711.2	150	270	966	340	626	192	995.6	510	580	210	280	365	800	390	392	20.55	21.97	3/4"	4007	-1190.1	196.3	244.9
GH-271*-220*/O2	5044	3246	1798	2665	1015	272	280	280	711.2	150	270	966	340	626	192	995.6	510	580	210	280	365	800	390	392	24.66	26.37	3/4"	3917	-1239.9	196.3	244.3
GH-271*-240*/O2	5046	3246	1800	2665	1015	274	375	375	711.2	150	270	966	340	626	192	995.6	510	580	210	280	365	800	390	392	31.48	33.66	3/4"	4097	-1142.9	196.3	245.4
GH-271*-250*/O2	5046	3246	1800	2665	1015	274	375	375	711.2	150	270	966	340	626	192	995.6	510	580	210	280	365	800	390	392	29.11	31.12	3/4"	4097	-1142.7	196.3	245.4
GH-271*-260*/O2	5046	3246	1800	2665	1015	274	375	375	711.2	150	270	966	340	626	192	995.6	510	580	210	280	365	800	390	392	31.48	33.66	1"	4007	-1189.2	196.3	244.9
GH-271*-280*/O2	5033	3246	1787	2665	1002	274	450	450	711.2	150	270	966	340	626	192	995.6	510	580	210	280	365	800	390	392	36.56	39.08	1"	4092	-1143.8	196.3	245.4
GH-271*-300*/O2	5033	3246	1787	2665	1002	274	450	450	711.2	150	270	966	340	626	192	995.6	510	580	210	280	365	800	390	392	41.97	44.86	1"	4157	-1111.4	196.3	245.8
GH-271*-320*/O2	5011	3246	1765	2665	982	272	440	440	711.2	150	270	966	340	626	192	995.6	510	580	210	280	365	800	390	392	47.75	51.05	3/4"	4027	-1180.2	196.3	245.0
GH-271*-340*/O2	5033	3246	1787	2665	1002	274	500	500	711.2	150	270	966	340	626	192	995.6	510	580	210	280	365	800	390	392	60.43	64.60	1"	4187	-1095.5	196.3	246.0
GH-271*-360*/O2	5033	3246	1787	2665	1002	274	530	530	711.2	150	270	966	340	626	192	995.6	510	580	210	280	365	800	390	392	60.43	64.60	1"	4222	-1077.8	196.3	246.2
GH-271*-380*/O2	5036	3246	1790	2665	995	284	550	550	711.2	150	270	966	340	626	192	995.6	510	580	210	280	365	800	390	392	67.45	72.10	1"	4237	-1065.5	196.3	246.2
GH-271*-400*/O2	5043	3246	1797	2665	1002	284	550	550	711.2	150	270	966	340	626	192	995.6	510	580	210	280	365	800	390	392	74.61	79.76	1"	4277	-1045.3	196.3	246.5
GH-271*-420*/O2	5043	3246	1797	2665	1002	284	550	550	711.2	150	270	966	340	626	192	995.6	510	580	210	280	365	800	390	392	82.25	87.93	1"	4317	-1025.6	196.3	246.7
GH-271*-520*/O2	5083	3246	1837	2665	1042	284	690	690	711.2	150	270	966	340	626	192	995.6	510	580	210	280	365	800	390	392	126.08	134.79	1"	4797	-811.7	196.3	249.0
GH-271*-140*/O3	5048	3246	1802	2665	1017	274	375	375	711.2	150	270	966	340	626	192	995.6	510	580	210	280	365	800	390	392	9.14	9.77	3/4"	3908	-1263.4	196.3	244.2
GH-271*-160*/O3	5048	3246	1802	2665	1017	274	375	375	711.2	150	270	966	340	626	192	995.6	510	580	210	280	365	800	390	392	11.94	12.76	3/4"	3933	-1248.6	196.3	244.4
GH-271*-180*/O3	5048	3246	1802	2665	1017	274	375	375	711.2	150	270	966	340	626	192	995.6	510	580	210	280	365	800	390	392	18.65	19.94	3/4"	3908	-1262.3	196.3	244.2
GH-271*-200*/O3	5048	3246	1802	2665	1017	274	375	375	711.2	150	270	966	340	626	192	995.6	510	580	210	280	365	800	390	392	20.55	21.97	3/4"	4028	-1193.8	196.3	245.0
GH-271*-220*/O3	5044	3246	1798	2665	1015	272	280	280	711.2	150	270	966	340	626	192	995.6	510	580	210	280	365	800	390	392	24.66	26.37	3/4"	3938	-1243.5	196.3	244.4
GH-271*-240*/O3	5046	3246	1800	2665	1015	274	375	375	711.2	150	270	966	340	626	192	995.6	510	580	210	280	365	800	390	392	31.48	33.66	3/4"	4118	-1146.8	196.3	245.5
GH-271*-250*/O3	5046	3246	1800	2665	1015	274	375	375	711.2	150	270	966	340	626	192	995.6	510	580	210	280	365	800	390	392	29.11	31.12	3/4"	4118	-1146.6	196.3	245.5
GH-271*-260*/O3	5046	3246	1800	2665	1015	274	375	375	711.2	150	270	966	340	626	192	995.6	510	580	210	280	365	800	390	392	31.48	33.66	1"	4028	-1192.9	196.3	245.0
GH-271*-280*/O3	5033	3246	1787	2665	1002	274	450	450	711.2	150	270	966	340	626	192	995.6	510	580	210	280	365	800	390	392	36.56	39.08	1"	4113	-1147.7	196.3	245.5
GH-271*-300*/O3	5033	3246	1787	2665	1002	274	450	450	711.2	150	270	966	340	626	192	995.6	510	580	210	280	365	800	390	392	41.97	44.86	1"	4178	-1115.4	196.3	245.9
GH-271*-320*/O3	5011	3246	1765	2665	982	272	440	440	711.2	150	270	966	340	626	192	995.6	510	580	210	280	365	800	390	392	47.75	51.05	3/4"	4048	-1184.0	196.3	245.1
GH-271*-340*/O3	5033	3246	1787	2665	1002	274	500	500	711.2	150	270	966	340	626	192	995.6	510	580	210	280	365	800	390	392	60.43	64.60	1"	4208	-1099.6	196.3	246.1
GH-271*-360*/O3	5033	3246	1787	2665	1002	274	530	530	711.2	150	270	966	340	626	192	995.6	510	580	210	280	365	800	390	392	60.43	64.60	1"	4243	-1081.9	196.3	246.3
GH-271*-380*/O3	5036	3246	1790	2665	995	284	550	550	711.2	150	270	966	340	626	192	995.6	510	580	210	280	365	800	390	392	67.45	72.10	1"	4258	-1069.6	196.3	246.4
GH-271*-400*/O3	5043	3246	1797	2665	1002	284	550	550	711.2	150	270	966	340	626	192	995.6	510	580	210	280	365	800	390	392	74.61	79.76	1"	4298	-1049.5	196.3	246.6
GH-271*-420*/O3	5043	3246	1797	2665	1002	284	550	550	711.2	150	270	966	340	626	192	995.6	510	580	210	280	365	800	390	392	82.25	87.93	1"	4338	-1029.9	196.3	246.8
GH-271*-520*/O3	5083	3246	1837	2665	1042	284	690	690	711.2	150	270	966	340	626	192	995.6	510	580	210	280	365	800	390	392	126.08	134.79	1"	4818	-816.5	196.3	249.1
GH-271*-140*/O4	5108	3306	1802	2725	1017	274	375	375	711.2	150	270	966	340	626	192	995.6	510	580	210	280	365	800	390	392	9.14	9.77	3/4"	3572	-1222.8	196.3	241.8
GH-271*-160*/O4	5108	3306	1802	2725	1017	274	375	375	711.2	150	270	966	340	626	192	995.6	510	580	210	280	365	800	390	392	11.94	12.76	3/4"	3597	-1206.8	196.3	242.0
GH-271*-180*/O4	5108	3306	1802	2725	1017	274	375	375	711.2	150	270	966	340	626	192	995.6	510	580	210	280	365	800	390	392	18.65	19.94	3/4"	3572	-1221.5	196.3	241.8
GH-271*-200*/O4	5108	3306	1802	2725	1017	274	375	375	711.2	150	270	966	340	626	192	995.6	510	580	210	280	365	800	390	392	20.55	21.97	3/4"	3692	-1148.2	196.3	242.7
GH-271*-220*/O4	5104	3306	1798	2725	1015	272	280	280	711.2	150	270	966	340	626	192	995.6	510	580	210	280	365	800	390	392	24.66	26.37	3/4"	3602	-1201.3	196.3	242.0
GH-271*-240*/O4	5106	3306	1800	2725	1015	274	375	375	711.2	150	270	966	340	626	192	995.6	510	580	210	280	365	800	390	392	31.48	33.66	3/4"	3782	-1098.0	196.3	243.4
GH-271*-250*/O4	5106	3306	1800	2725	1015	274	375	375	711.2	150	270	966	340	626	192	995.6	510	580	210	280	365	800	390	392	29.11	31.12	3/4"	3782	-1097.9</		



**GH RANGE METRIC DIMENSION DATA**  
**- SINGLE ACTING - FAIL OPEN - OGH000ADC REV.2**

ACTUATOR MODEL	ACTUATOR OVERALL DIMENSIONS (mm)															CARTER		SPOOL * (OPTIONAL)			CLEARANCE FOR DISASSEMBLY			DISPLACEMENT (LITRES)		X	weight	CENTER GRAVITY				
	A	B	C	B2	C2	C4	Ev	E	F	F1	G	H	K	L	N	P	AL	AR	M1	M	Weight	ES	EC	ET	Simm.	Canted	(NPT)	(Kg)	XG	ZG	YG	
	GH 350 - CARTER CARBON STEEL																															
GH-350-160/O0	6434	3841	2593	2920	1338	434	440	440	813	150	350	1277	520	757	364	1316.5	820	920	360	400	790	1280	615	714	15.62	16.54	3/4"	9301	-1013.4	340.0	297.8	
GH-350-180/O0	6434	3841	2593	2920	1338	434	440	440	813	150	350	1277	520	757	364	1316.5	820	920	360	400	790	1280	615	714	24.40	25.84	3/4"	9351	-999.6	340.0	298.1	
GH-350-220/O0	6434	3841	2593	2920	1338	434	440	440	813	150	350	1277	520	757	364	1316.5	820	920	360	400	790	1280	615	714	32.26	34.17	1"	9531	-951.9	340.0	299.1	
GH-350-240/O0	6434	3841	2593	2920	1338	434	420	420	813	150	350	1277	520	757	364	1316.5	820	920	360	400	790	1280	615	714	41.18	43.62	1"	9531	-951.3	340.0	299.1	
GH-350-260/O0	6542	3841	2701	2920	1446	434	420	420	813	150	350	1277	520	757	364	1316.5	820	920	360	400	790	1280	615	714	41.18	43.62	1"	9791	-880.0	340.0	300.4	
GH-350-280/O0	6542	3841	2701	2920	1446	434	450	450	813	150	350	1277	520	757	364	1316.5	820	920	360	400	790	1280	615	714	47.82	50.66	1"	9856	-863.5	340.0	300.7	
GH-350-300/O0	6542	3841	2701	2920	1446	434	450	450	813	150	350	1277	520	757	364	1316.5	820	920	360	400	790	1280	615	714	54.90	58.14	1"	9886	-855.5	340.0	300.9	
GH-350-320/O0	6542	3841	2701	2920	1446	434	450	450	813	150	350	1277	520	757	364	1316.5	820	920	360	400	790	1280	615	714	62.46	66.16	1"	9801	-875.4	340.0	300.5	
GH-350-350/O0	6542	3841	2701	2920	1446	434	450	450	813	150	350	1277	520	757	364	1316.5	820	920	360	400	790	1280	615	714	74.72	79.14	1"	9856	-860.7	340.0	300.7	
GH-350-380/O0	6542	3841	2701	2920	1446	434	450	450	813	150	350	1277	520	757	364	1316.5	820	920	360	400	790	1280	615	714	88.23	93.45	1"	10051	-812.9	340.0	301.7	
GH-350-400/O0	6542	3841	2701	2920	1446	434	550	550	813	150	350	1277	520	757	364	1316.5	820	920	360	400	790	1280	615	714	97.59	103.37	1"	10106	-799.2	340.0	302.0	
GH-350-440/O0	6542	3841	2701	2920	1446	434	550	550	813	150	350	1277	520	757	364	1316.5	820	920	360	400	790	1280	615	714	118.08	125.07	1"	10201	-775.4	340.0	302.4	
GH-350-460/O0	6542	3841	2701	2920	1446	434	550	550	813	150	350	1277	520	757	364	1316.5	820	920	360	400	790	1280	615	714	129.06	136.70	1"	10306	-750.8	340.0	302.9	
GP-350-520/O0	6544	3841	2703	2920	1448	434	690	690	813	150	350	1277	520	757	364	1316.5	820	920	360	400	790	1280	615	714	164.93	174.69	1"	10611	-681.5	340.0	304.2	
GH-350-160/O1	6434	3841	2593	2920	1338	434	440	440	813	150	350	1277	520	757	364	1316.5	820	920	360	400	790	1280	615	714	15.62	16.54	3/4"	9835	-1087.3	340.0	300.6	
GH-350-180/O1	6434	3841	2593	2920	1338	434	440	440	813	150	350	1277	520	757	364	1316.5	820	920	360	400	790	1280	615	714	24.40	25.84	3/4"	9885	-1073.9	340.0	300.9	
GH-350-220/O1	6434	3841	2593	2920	1338	434	440	440	813	150	350	1277	520	757	364	1316.5	820	920	360	400	790	1280	615	714	32.26	34.17	1"	10065	-1027.3	340.0	301.8	
GH-350-240/O1	6434	3841	2593	2920	1338	434	420	420	813	150	350	1277	520	757	364	1316.5	820	920	360	400	790	1280	615	714	41.18	43.62	1"	10065	-1026.8	340.0	301.8	
GH-350-260/O1	6542	3841	2701	2920	1446	434	420	420	813	150	350	1277	520	757	364	1316.5	820	920	360	400	790	1280	615	714	41.18	43.62	1"	10325	-957.3	340.0	303.0	
GH-350-280/O1	6542	3841	2701	2920	1446	434	450	450	813	150	350	1277	520	757	364	1316.5	820	920	360	400	790	1280	615	714	47.82	50.66	1"	10390	-941.1	340.0	303.3	
GH-350-300/O1	6542	3841	2701	2920	1446	434	450	450	813	150	350	1277	520	757	364	1316.5	820	920	360	400	790	1280	615	714	54.90	58.14	1"	10420	-933.3	340.0	303.4	
GH-350-320/O1	6542	3841	2701	2920	1446	434	450	450	813	150	350	1277	520	757	364	1316.5	820	920	360	400	790	1280	615	714	62.46	66.16	1"	10335	-952.8	340.0	303.0	
GH-350-350/O1	6542	3841	2701	2920	1446	434	450	450	813	150	350	1277	520	757	364	1316.5	820	920	360	400	790	1280	615	714	74.72	79.14	1"	10390	-938.5	340.0	303.3	
GH-350-380/O1	6542	3841	2701	2920	1446	434	450	450	813	150	350	1277	520	757	364	1316.5	820	920	360	400	790	1280	615	714	88.23	93.45	1"	10585	-891.6	340.0	304.1	
GH-350-400/O1	6542	3841	2701	2920	1446	434	550	550	813	150	350	1277	520	757	364	1316.5	820	920	360	400	790	1280	615	714	97.59	103.37	1"	10640	-878.2	340.0	304.4	
GH-350-440/O1	6542	3841	2701	2920	1446	434	550	550	813	150	350	1277	520	757	364	1316.5	820	920	360	400	790	1280	615	714	118.08	125.07	1"	10735	-854.9	340.0	304.8	
GH-350-460/O1	6542	3841	2701	2920	1446	434	550	550	813	150	350	1277	520	757	364	1316.5	820	920	360	400	790	1280	615	714	129.06	136.70	1"	10840	-830.8	340.0	305.2	
GP-350-520/O1	6544	3841	2703	2920	1448	434	690	690	813	150	350	1277	520	757	364	1316.5	820	920	360	400	790	1280	615	714	164.93	174.69	1"	11145	-762.6	340.0	306.4	
GH-350-160/O9	6434	3841	2593	2920	1338	434	440	440	813	150	350	1277	520	757	364	1316.5	820	920	360	400	790	1280	615	714	15.62	16.54	3/4"	9881	-964.9	340.0	295.9	
GH-350-180/O9	6434	3841	2593	2920	1338	434	440	440	813	150	350	1277	520	757	364	1316.5	820	920	360	400	790	1280	615	714	24.40	25.84	3/4"	9031	-950.9	340.0	296.2	
GH-350-220/O9	6434	3841	2593	2920	1338	434	440	440	813	150	350	1277	520	757	364	1316.5	820	920	360	400	790	1280	615	714	32.26	34.17	1"	9211	-902.5	340.0	297.3	
GH-350-240/O9	6434	3841	2593	2920	1338	434	420	420	813	150	350	1277	520	757	364	1316.5	820	920	360	400	790	1280	615	714	41.18	43.62	1"	9211	-901.9	340.0	297.3	
GH-350-260/O9	6542	3841	2701	2920	1446	434	420	420	813	150	350	1277	520	757	364	1316.5	820	920	360	400	790	1280	615	714	41.18	43.62	1"	9471	-829.6	340.0	298.7	
GH-350-280/O9	6542	3841	2701	2920	1446	434	450	450	813	150	350	1277	520	757	364	1316.5	820	920	360	400	790	1280	615	714	47.82	50.66	1"	9536	-812.8	340.0	299.1	
GH-350-300/O9	6542	3841	2701	2920	1446	434	450	450	813	150	350	1277	520	757	364	1316.5	820	920	360	400	790	1280	615	714	54.90	58.14	1"	9566	-804.7	340.0	299.3	
GH-350-320/O9	6542	3841	2701	2920	1446	434	450	450	813	150	350	1277	520	757	364	1316.5	820	920	360	400	790	1280	615	714	62.46	66.16	1"	9481	-824.8	340.0	298.8	
GH-350-350/O9	6542	3841	2701	2920	1446	434	450	450	813	150	350	1277	520	757	364	1316.5	820	920	360	400	790	1280	615	714	74.72	79.14	1"	9536	-809.9	340.0	299.1	
GH-350-380/O9	6542	3841	2701	2920	1446	434	450	450	813	150	350	1277	520	757	364	1316.5	820	920	360	400	790	1280	615	714	88.23	93.45	1"	9731	-761.5	340.0	300.1	
GH-350-400/O9	6542	3841	2701	2920	1446	434	550	550	813	150	350	1277	520	757	364	1316.5	820	920	360	400	790	1280	615	714	97.59	103.37	1"	9786	-747.7	340.0	300.4	
GH-350-440/O9	6542	3841	2701	2920	1446	434	550	550	813	150	350	1277	520	757	364	1316.5	820	920	360	400	790	1280	615	714	118.08	125.07	1"	9881	-723.6	340.0	300.9	
GH-350-460/O9	6542	3841	2701	2920	1446	434	550	550	813	150	350	1277	520	757	364	1316.5	820	920	360	400	790	1280	615	714	129.06	136.70	1"	9986	-698.8	340.0	301.4	
GP-350-5																																



- Ⓢ LIFTING POINT ACTUATOR ONLY
- D ACCORDING TO VALVE FLANGE
- X1 HYDRAULIC CONNECTION
- NOTE 3 CONTROL PANEL INTERFACE ACCORDING TO : DWG. GD00198-040
- NOTE 2 COUPLING ACTUATOR INTERFACE ACCORDING TO : DWG. GD00198-030
- NOTE 1 MICROSWITCHES GROUP INTERFACE ACCORDING TO : DWG. GD00220

All dimensions are in mm

**rotork®**  
fluid systems

SINGLE ACTING HYDRAULIC ACTUATOR  
FAIL TO CLOSE  
OVERALL DIMENSIONS

02	22.04.10	BERNINI	BARSOITI
01	08.06.05	BERNINI	BARSOITI
00	21.01.02	BONGIANNI	FERDENZI
rev.	date	drawn	check

OGHC000ADC

REPORTED ARE MAXIMUM DIMENSIONS - IT WILL BE CARE OF R.F.S. TO INFORM YOU IN CASE OF ANY DIMENSIONAL INCREASE



**GH RANGE METRIC DIMENSION DATA  
- SINGLE ACTING - FAIL CLOSE - OGH000ADC REV.2**

ACTUATOR MODEL	ACTUATOR OVERALL DIMENSIONS (mm)																CARTER		SPOOL* (OPTIONAL)			CLEARANCE FOR DISASSEMBLY			DISPLACEMENT (LITRES)		X	weight	CENTER GRAVITY		
	A	B	C	B2	C2	C4	Ev	E	F	F1	G	H	K	L	N	P	AL	AR	M1	M	Weight	ES	EC	ET	Simm.	Canted	( NPT )	( Kg )	XG	ZG	YG
<b>GH 065 - CARTER CARBON STEEL - FLANGE TYPE ISO F25</b>																															
GH-065-040/C1	1526	839	687	672.5	384	112	100	120	273	70	65	347	145	202	70	426.5	165	190	80	140	33	260	130	140	0.18	0.19	1/4"	147	-208.9	73.0	52.7
GH-065-045/C1	1526	839	687	672.5	384	112	106	134	273	70	65	347	145	202	70	426.5	165	190	80	140	33	260	130	140	0.23	0.24	1/4"	148	-204.9	73.0	52.7
GH-065-050/C1	1526	839	687	672.5	384	112	106	134	273	70	65	347	145	202	70	426.5	165	190	80	140	33	260	130	140	0.28	0.30	1/4"	148	-204.6	73.0	52.7
GH-065-060/C1	1526	839	687	672.5	384	112	110	110	273	70	65	347	145	202	70	426.5	165	190	80	140	33	260	130	140	0.40	0.43	1/2"	152	-188.9	73.0	53.1
GH-065-070/C1	1531	839	692	672.5	384	117	135	135	273	70	65	347	145	202	70	426.5	165	190	80	140	33	260	130	140	0.55	0.59	1/2"	160	-160.0	73.0	53.7
GH-065-080/C1	1526	839	687	672.5	384	112	116	116	273	70	65	347	145	202	70	426.5	165	190	80	140	33	260	130	140	0.72	0.76	1/2"	156	-173.2	73.0	53.4
GH-065-090/C1	1535	839	696	672.5	388	117	130	115	273	70	65	347	145	202	70	426.5	165	190	80	140	33	260	130	140	0.91	0.97	1/2"	160	-158.3	73.0	53.7
GH-065-100/C1	1551	839	712	672.5	384	137	130	130	273	70	65	347	145	202	70	426.5	165	190	80	140	33	260	150	140	1.12	1.19	1/2"	160	-158.1	73.0	53.7
GH-065-110/C1	1580	839	741	672.5	413	137	160	145	273	70	65	347	145	202	70	426.5	165	190	80	140	33	260	150	140	1.36	1.44	1/2"	175	-106.9	73.0	54.6
GH-065-125/C1	1582	839	743	672.5	415	137	180	175	273	70	65	347	145	202	70	426.5	165	190	80	140	33	260	150	140	1.75	1.87	1/2"	177	-99.7	73.0	54.7
GH-065-140/C1	1587	839	748	672.5	420	137	220	170	273	70	65	347	145	202	70	426.5	165	190	80	140	33	260	150	140	2.20	2.34	1/2"	196	-49.8	73.0	55.7
GH-065-160/C1	1582	839	743	672.5	415	137	220	190	273	70	65	347	145	202	70	426.5	165	190	80	140	33	260	150	140	2.87	3.06	3/4"	202	-35.4	73.0	56.0
GH-065-180/C1	1654	839	815	672.5	466	158	220	240	273	70	65	347	145	202	70	426.5	165	190	80	140	33	260	160	140	3.64	3.87	3/4"	223	18.9	73.0	56.9
GH-065-200/C1	1633	839	794	672.5	466	137	240	240	273	70	65	347	145	202	70	426.5	165	190	80	140	33	260	160	140	4.49	4.77	3/4"	233	44.1	73.0	57.2
GH-065-040/C2	1526	839	687	672.5	384	112	100	120	273	70	65	347	145	202	70	426.5	165	190	80	140	33	260	130	140	0.18	0.19	1/4"	156	-225.6	73.0	53.4
GH-065-045/C2	1526	839	687	672.5	384	112	106	134	273	70	65	347	145	202	70	426.5	165	190	80	140	33	260	130	140	0.23	0.24	1/4"	157	-221.8	73.0	53.4
GH-065-050/C2	1526	839	687	672.5	384	112	106	134	273	70	65	347	145	202	70	426.5	165	190	80	140	33	260	130	140	0.28	0.30	1/4"	157	-221.5	73.0	53.4
GH-065-060/C2	1526	839	687	672.5	384	112	110	110	273	70	65	347	145	202	70	426.5	165	190	80	140	33	260	130	140	0.40	0.43	1/2"	161	-206.3	73.0	53.7
GH-065-070/C2	1531	839	692	672.5	384	117	135	135	273	70	65	347	145	202	70	426.5	165	190	80	140	33	260	130	140	0.55	0.59	1/2"	169	-178.0	73.0	54.3
GH-065-080/C2	1526	839	687	672.5	384	112	116	116	273	70	65	347	145	202	70	426.5	165	190	80	140	33	260	130	140	0.72	0.76	1/2"	165	-190.9	73.0	54.0
GH-065-090/C2	1535	839	696	672.5	388	117	130	115	273	70	65	347	145	202	70	426.5	165	190	80	140	33	260	130	140	0.91	0.97	1/2"	169	-176.5	73.0	54.3
GH-065-100/C2	1551	839	712	672.5	384	137	130	130	273	70	65	347	145	202	70	426.5	165	190	80	140	33	260	150	140	1.12	1.19	1/2"	169	-176.3	73.0	54.3
GH-065-110/C2	1580	839	741	672.5	413	137	160	145	273	70	65	347	145	202	70	426.5	165	190	80	140	33	260	150	140	1.36	1.44	1/2"	184	-126.0	73.0	55.1
GH-065-125/C2	1582	839	743	672.5	415	137	180	175	273	70	65	347	145	202	70	426.5	165	190	80	140	33	260	150	140	1.75	1.87	1/2"	186	-119.1	73.0	55.2
GH-065-140/C2	1587	839	748	672.5	420	137	220	170	273	70	65	347	145	202	70	426.5	165	190	80	140	33	260	150	140	2.20	2.34	1/2"	205	-69.5	73.0	56.1
GH-065-160/C2	1582	839	743	672.5	415	137	220	190	273	70	65	347	145	202	70	426.5	165	190	80	140	33	260	150	140	2.87	3.06	3/4"	211	-55.2	73.0	56.4
GH-065-180/C2	1654	839	815	672.5	466	158	220	240	273	70	65	347	145	202	70	426.5	165	190	80	140	33	260	160	140	3.64	3.87	3/4"	232	-1.2	73.0	57.2
GH-065-200/C2	1633	839	794	672.5	466	137	240	240	273	70	65	347	145	202	70	426.5	165	190	80	140	33	260	160	140	4.49	4.77	3/4"	242	23.9	73.0	57.5
GH-065-040/C4	1469	782	687	615.5	384	112	100	120	323.9	70	65	372	145	227	70	452.0	165	190	80	140	33	260	130	140	0.18	0.19	1/4"	207	-274.6	73.0	56.2
GH-065-045/C4	1469	782	687	615.5	384	112	106	134	323.9	70	65	372	145	227	70	452.0	165	190	80	140	33	260	130	140	0.23	0.24	1/4"	208	-271.4	73.0	56.3
GH-065-050/C4	1469	782	687	615.5	384	112	106	134	323.9	70	65	372	145	227	70	452.0	165	190	80	140	33	260	130	140	0.28	0.30	1/4"	208	-271.2	73.0	56.3
GH-065-060/C4	1469	782	687	615.5	384	112	110	110	323.9	70	65	372	145	227	70	452.0	165	190	80	140	33	260	130	140	0.40	0.43	1/2"	212	-258.7	73.0	56.4
GH-065-070/C4	1474	782	692	615.5	384	117	135	135	323.9	70	65	372	145	227	70	452.0	165	190	80	140	33	260	130	140	0.55	0.59	1/2"	220	-236.1	73.0	56.8
GH-065-080/C4	1469	782	687	615.5	384	112	116	116	323.9	70	65	372	145	227	70	452.0	165	190	80	140	33	260	130	140	0.72	0.76	1/2"	216	-246.0	73.0	56.6
GH-065-090/C4	1478	782	696	615.5	388	117	130	115	323.9	70	65	372	145	227	70	452.0	165	190	80	140	33	260	130	140	0.91	0.97	1/2"	220	-233.9	73.0	56.8
GH-065-100/C4	1494	782	712	615.5	384	137	130	130	323.9	70	65	372	145	227	70	452.0	165	190	80	140	33	260	150	140	1.12	1.19	1/2"	220	-233.7	73.0	56.8
GH-065-110/C4	1523	782	741	615.5	413	137	160	145	323.9	70	65	372	145	227	70	452.0	165	190	80	140	33	260	150	140	1.36	1.44	1/2"	235	-190.7	73.0	57.3
GH-065-125/C4	1525	782	743	615.5	415	137	180	175	323.9	70	65	372	145	227	70	452.0	165	190	80	140	33	260	150	140	1.75	1.87	1/2"	237	-184.7	73.0	57.3
GH-065-140/C4	1530	782	748	615.5	420	137	220	170	323.9	70	65	372	145	227	70	452.0	165	190	80	140	33	260	150	140	2.20	2.34	1/2"	256	-140.1	73.0	57.9
GH-065-160/C4	1525	782	743	615.5	415	137	220	190	323.9	70	65	372	145	227	70	452.0	165	190	80	140	33	260	150	140	2.87	3.06	3/4"	262	-127.0	73.0	58.1
GH-065-180/C4	1597	782	815	615.5	466	158	220	240	323.9	70	65	372	145	227	70	452.0	165	190	80	140	33	260	160	140	3.64	3.87	3/4"	283	-77.4	73.0	58.6
GH-065-200/C4	1576	782	794	615.5	466	137	240	240	323.9	70	65	372	145	227	70	452.0	165	190	80	140	33	260	160	140	4.49	4.77	3/4"	293	-54.0	73.0	58.8
GH-065-040/C4	1440	753	687	586.5	384	112	100	120	323.9	70	65	372	145	227	70	452.0	165	190	80	140	33	260	130	140	0.18	0.19	1/4"	206	-264.2	73.0	56.2
GH-065-045/C4	1440</																														





**GH RANGE METRIC DIMENSION DATA  
- SINGLE ACTING - FAIL CLOSE - OGH000ADC REV.2**

ACTUATOR MODEL	ACTUATOR OVERALL DIMENSIONS (mm)														CARTER		SPOOL* (OPTIONAL)			CLEARANCE FOR DISASSEMBLY			DISPLACEMENT (LITRES)		X	weight	CENTER GRAVITY				
	A	B	C	B2	C2	C4	Ev	E	F	F1	G	H	K	L	N	P	AL	AR	M1	M	Weight	ES	EC	ET	Simm.	Canted	( NPT )	( Kg )	XG	ZG	YG
<b>GH 085 - CARTER CAST IRON - FLANGE TYPE ISO F25</b>																															
GH-085-040/C1	1586	869	717	672.5	384	112	100	120	273	70	85	352	130	222	70	426.5	195	220	80	140	33	305	150	140	0.23	0.25	1/4"	172	-189.7	74.0	69.2
GH-085-045/C1	1586	869	717	672.5	384	112	106	134	273	70	85	352	130	222	70	426.5	195	220	80	140	33	305	150	140	0.30	0.32	1/4"	173	-186.0	74.0	69.3
GH-085-050/C1	1586	869	717	672.5	384	112	106	134	273	70	85	352	130	222	70	426.5	195	220	80	140	33	305	150	140	0.37	0.39	1/4"	173	-185.2	74.0	69.3
GH-085-060/C1	1586	869	717	672.5	384	112	110	110	273	70	85	352	130	222	70	426.5	195	220	80	140	33	305	150	140	0.53	0.57	1/2"	177	-171.0	74.0	69.6
GH-085-070/C1	1591	869	722	672.5	384	117	135	135	273	70	85	352	130	222	70	426.5	195	220	80	140	33	305	150	140	0.72	0.77	1/2"	185	-145.3	74.0	70.3
GH-085-080/C1	1586	869	717	672.5	384	112	116	116	273	70	85	352	130	222	70	426.5	195	220	80	140	33	305	150	140	0.94	1.01	1/2"	181	-156.6	74.0	70.0
GH-085-090/C1	1595	869	726	672.5	388	117	130	115	273	70	85	352	130	222	70	426.5	195	220	80	140	33	305	150	140	1.19	1.27	1/2"	185	-143.4	74.0	70.3
GH-085-100/C1	1611	869	742	672.5	384	137	130	130	273	70	85	352	130	222	70	426.5	195	220	80	140	33	305	150	140	1.47	1.57	1/2"	185	-145.9	74.0	70.3
GH-085-110/C1	1640	869	771	672.5	413	137	160	145	273	70	85	352	130	222	70	426.5	195	220	80	140	33	305	150	140	1.78	1.90	1/2"	200	-103.1	74.0	71.4
GH-085-125/C1	1642	869	773	672.5	415	137	180	175	273	70	85	352	130	222	70	426.5	195	220	80	140	33	305	150	140	2.29	2.45	1/2"	202	-95.9	74.0	71.5
GH-085-140/C1	1647	869	778	672.5	420	137	220	170	273	70	85	352	130	222	70	426.5	195	220	80	140	33	305	150	140	2.88	3.08	1/2"	221	-51.3	74.0	72.7
GH-085-160/C1	1642	869	773	672.5	415	137	220	190	273	70	85	352	130	222	70	426.5	195	220	80	140	33	305	150	140	3.76	4.02	3/4"	227	-36.6	74.0	73.0
GH-085-180/C1	1714	869	845	672.5	466	158	220	240	273	70	85	352	130	222	70	426.5	195	220	80	140	33	305	160	140	4.76	5.09	3/4"	248	3.9	74.0	74.0
GH-085-200/C1	1693	869	824	672.5	466	137	240	240	273	70	85	352	130	222	70	426.5	195	220	80	140	33	305	160	140	5.87	6.28	3/4"	258	27.0	74.0	74.5
GH-085-040/C2	1586	869	717	672.5	384	112	100	120	273	70	85	352	130	222	70	426.5	195	220	80	140	33	305	150	140	0.23	0.25	1/4"	181	-206.6	74.0	70.0
GH-085-045/C2	1586	869	717	672.5	384	112	106	134	273	70	85	352	130	222	70	426.5	195	220	80	140	33	305	150	140	0.30	0.32	1/4"	182	-203.0	74.0	70.1
GH-085-050/C2	1586	869	717	672.5	384	112	106	134	273	70	85	352	130	222	70	426.5	195	220	80	140	33	305	150	140	0.37	0.39	1/4"	182	-202.2	74.0	70.1
GH-085-060/C2	1586	869	717	672.5	384	112	110	110	273	70	85	352	130	222	70	426.5	195	220	80	140	33	305	150	140	0.53	0.57	1/2"	186	-188.4	74.0	70.4
GH-085-070/C2	1591	869	722	672.5	384	117	135	135	273	70	85	352	130	222	70	426.5	195	220	80	140	33	305	150	140	0.72	0.77	1/2"	194	-163.1	74.0	71.0
GH-085-080/C2	1586	869	717	672.5	384	112	116	116	273	70	85	352	130	222	70	426.5	195	220	80	140	33	305	150	140	0.94	1.01	1/2"	190	-174.2	74.0	70.7
GH-085-090/C2	1595	869	726	672.5	388	117	130	115	273	70	85	352	130	222	70	426.5	195	220	80	140	33	305	150	140	1.19	1.27	1/2"	194	-161.3	74.0	71.0
GH-085-100/C2	1611	869	742	672.5	384	137	130	130	273	70	85	352	130	222	70	426.5	195	220	80	140	33	305	150	140	1.47	1.57	1/2"	194	-163.7	74.0	71.0
GH-085-110/C2	1640	869	771	672.5	413	137	160	145	273	70	85	352	130	222	70	426.5	195	220	80	140	33	305	150	140	1.78	1.90	1/2"	209	-121.4	74.0	72.0
GH-085-125/C2	1642	869	773	672.5	415	137	180	175	273	70	85	352	130	222	70	426.5	195	220	80	140	33	305	150	140	2.29	2.45	1/2"	211	-114.3	74.0	72.1
GH-085-140/C2	1647	869	778	672.5	420	137	220	170	273	70	85	352	130	222	70	426.5	195	220	80	140	33	305	150	140	2.88	3.08	1/2"	230	-70.0	74.0	73.2
GH-085-160/C2	1642	869	773	672.5	415	137	220	190	273	70	85	352	130	222	70	426.5	195	220	80	140	33	305	150	140	3.76	4.02	3/4"	236	-55.4	74.0	73.5
GH-085-180/C2	1714	869	845	672.5	466	158	220	240	273	70	85	352	130	222	70	426.5	195	220	80	140	33	305	160	140	4.76	5.09	3/4"	257	-14.7	74.0	74.4
GH-085-200/C2	1693	869	824	672.5	466	137	240	240	273	70	85	352	130	222	70	426.5	195	220	80	140	33	305	160	140	5.87	6.28	3/4"	267	8.3	74.0	74.8
GH-085-040/C3	1599	882	717	685.5	384	112	100	120	323.9	70	85	377	130	247	70	452.0	195	220	80	140	33	305	150	140	0.23	0.25	1/4"	236	-285.7	74.0	73.5
GH-085-045/C3	1599	882	717	685.5	384	112	106	134	323.9	70	85	377	130	247	70	452.0	195	220	80	140	33	305	150	140	0.30	0.32	1/4"	237	-282.7	74.0	73.5
GH-085-050/C3	1599	882	717	685.5	384	112	106	134	323.9	70	85	377	130	247	70	452.0	195	220	80	140	33	305	150	140	0.37	0.39	1/4"	237	-282.1	74.0	73.5
GH-085-060/C3	1599	882	717	685.5	384	112	110	110	323.9	70	85	377	130	247	70	452.0	195	220	80	140	33	305	150	140	0.53	0.57	1/2"	241	-270.0	74.0	73.7
GH-085-070/C3	1604	882	722	685.5	384	117	135	135	323.9	70	85	377	130	247	70	452.0	195	220	80	140	33	305	150	140	0.72	0.77	1/2"	249	-247.7	74.0	74.1
GH-085-080/C3	1599	882	717	685.5	384	112	116	116	323.9	70	85	377	130	247	70	452.0	195	220	80	140	33	305	150	140	0.94	1.01	1/2"	245	-257.7	74.0	73.9
GH-085-090/C3	1608	882	726	685.5	388	117	130	115	323.9	70	85	377	130	247	70	452.0	195	220	80	140	33	305	150	140	1.19	1.27	1/2"	249	-246.3	74.0	74.1
GH-085-100/C3	1624	882	742	685.5	384	137	130	130	323.9	70	85	377	130	247	70	452.0	195	220	80	140	33	305	150	140	1.47	1.57	1/2"	249	-248.2	74.0	74.1
GH-085-110/C3	1653	882	771	685.5	413	137	160	145	323.9	70	85	377	130	247	70	452.0	195	220	80	140	33	305	150	140	1.78	1.90	1/2"	264	-209.9	74.0	74.7
GH-085-125/C3	1655	882	773	685.5	415	137	180	175	323.9	70	85	377	130	247	70	452.0	195	220	80	140	33	305	150	140	2.29	2.45	1/2"	266	-203.6	74.0	74.8
GH-085-140/C3	1660	882	778	685.5	420	137	220	170	323.9	70	85	377	130	247	70	452.0	195	220	80	140	33	305	150	140	2.88	3.08	1/2"	285	-161.9	74.0	75.5
GH-085-160/C3	1655	882	773	685.5	415	137	220	190	323.9	70	85	377	130	247	70	452.0	195	220	80	140	33	305	150	140	3.76	4.02	3/4"	291	-148.1	74.0	75.7
GH-085-180/C3	1727	882	845	685.5	466	158	220	240	323.9	70	85	377	130	247	70	452.0	195	220	80	140	33	305	160	140	4.76	5.09	3/4"	312	-108.4	74.0	76.3
GH-085-200/C3	1706	882	824	685.5	466	137	240	240	323.9	70	85	377	130	247	70	452.0	195	220	80	140	33	305	160	140	5.87	6.28	3/4"	322	-86.4	74.0	76.6
GH-085-040/C4	1599	882	717	685.5	384	112	100	120	323.9	70	85	377	130	247	70	452.0	195	220	80	140	33	305	150	140	0.23	0.25	1/4"	216	-262.5	74.0	72.4
GH-085-045/C4	1599																														



**GH RANGE METRIC DIMENSION DATA  
- SINGLE ACTING - FAIL CLOSE - OGH000ADC REV.2**

ACTUATOR MODEL	ACTUATOR OVERALL DIMENSIONS (mm)															CARTER		SPOOL* (OPTIONAL)			CLEARANCE FOR DISASSEMBLY			DISPLACEMENT (LITRES)		X	weight	CENTER GRAVITY			
	A	B	C	B2	C2	C4	Ev	E	F	F1	G	H	K	L	N	P	AL	AR	M1	M	Weight	ES	EC	ET	Simm.	Canted	( NPT )	( Kg )	XG	ZG	YG
GH-085-040/C6	1599	882	717	685.5	384	112	100	120	323.9	70	85	377	130	247	70	452.0	195	220	80	140	33	305	150	140	0.23	0.25	1/4"	256	-305.4	74.0	74.4
GH-085-045/C6	1599	882	717	685.5	384	112	106	134	323.9	70	85	377	130	247	70	452.0	195	220	80	140	33	305	150	140	0.30	0.32	1/4"	257	-302.4	74.0	74.4
GH-085-050/C6	1599	882	717	685.5	384	112	106	134	323.9	70	85	377	130	247	70	452.0	195	220	80	140	33	305	150	140	0.37	0.39	1/4"	257	-301.9	74.0	74.4
GH-085-060/C6	1599	882	717	685.5	384	112	110	110	323.9	70	85	377	130	247	70	452.0	195	220	80	140	33	305	150	140	0.53	0.57	1/2"	261	-290.5	74.0	74.6
GH-085-070/C6	1604	882	722	685.5	384	117	135	135	323.9	70	85	377	130	247	70	452.0	195	220	80	140	33	305	150	140	0.72	0.77	1/2"	269	-269.2	74.0	74.9
GH-085-080/C6	1599	882	717	685.5	384	112	116	116	323.9	70	85	377	130	247	70	452.0	195	220	80	140	33	305	150	140	0.94	1.01	1/2"	265	-278.8	74.0	74.7
GH-085-090/C6	1608	882	726	685.5	388	117	130	115	323.9	70	85	377	130	247	70	452.0	195	220	80	140	33	305	150	140	1.19	1.27	1/2"	269	-267.9	74.0	74.9
GH-085-100/C6	1624	882	742	685.5	384	137	130	130	323.9	70	85	377	130	247	70	452.0	195	220	80	140	33	305	150	140	1.47	1.57	1/2"	269	-269.6	74.0	74.9
GH-085-110/C6	1653	882	771	685.5	413	137	160	145	323.9	70	85	377	130	247	70	452.0	195	220	80	140	33	305	150	140	1.78	1.90	1/2"	284	-232.9	74.0	75.4
GH-085-125/C6	1655	882	773	685.5	415	137	180	175	323.9	70	85	377	130	247	70	452.0	195	220	80	140	33	305	150	140	2.29	2.45	1/2"	286	-226.9	74.0	75.5
GH-085-140/C6	1660	882	778	685.5	420	137	220	170	323.9	70	85	377	130	247	70	452.0	195	220	80	140	33	305	150	140	2.88	3.08	1/2"	305	-186.4	74.0	76.1
GH-085-160/C6	1655	882	773	685.5	415	137	220	190	323.9	70	85	377	130	247	70	452.0	195	220	80	140	33	305	150	140	3.76	4.02	3/4"	311	-173.1	74.0	76.3
GH-085-180/C6	1727	882	845	685.5	466	158	220	240	323.9	70	85	377	130	247	70	452.0	195	220	80	140	33	305	160	140	4.76	5.09	3/4"	332	-134.2	74.0	76.8
GH-085-200/C6	1706	882	824	685.5	466	137	240	240	323.9	70	85	377	130	247	70	452.0	195	220	80	140	33	305	160	140	5.87	6.28	3/4"	342	-112.7	74.0	77.0
GH-085-040/C7	1703	986	717	790	384	112	100	120	406.4	70	85	418	130	288	70	493.2	195	220	80	140	33	305	150	140	0.23	0.25	1/4"	316	-385.6	74.0	76.4
GH-085-045/C7	1703	986	717	790	384	112	106	134	406.4	70	85	418	130	288	70	493.2	195	220	80	140	33	305	150	140	0.30	0.32	1/4"	317	-383.0	74.0	76.4
GH-085-050/C7	1703	986	717	790	384	112	106	134	406.4	70	85	418	130	288	70	493.2	195	220	80	140	33	305	150	140	0.37	0.39	1/4"	317	-382.5	74.0	76.4
GH-085-060/C7	1703	986	717	790	384	112	110	110	406.4	70	85	418	130	288	70	493.2	195	220	80	140	33	305	150	140	0.53	0.57	1/2"	321	-372.3	74.0	76.5
GH-085-070/C7	1708	986	722	790	384	117	135	135	406.4	70	85	418	130	288	70	493.2	195	220	80	140	33	305	150	140	0.72	0.77	1/2"	329	-352.9	74.0	76.7
GH-085-080/C7	1703	986	717	790	384	112	116	116	406.4	70	85	418	130	288	70	493.2	195	220	80	140	33	305	150	140	0.94	1.01	1/2"	325	-361.7	74.0	76.6
GH-085-090/C7	1712	986	726	790	388	117	130	115	406.4	70	85	418	130	288	70	493.2	195	220	80	140	33	305	150	140	1.19	1.27	1/2"	329	-351.8	74.0	76.7
GH-085-100/C7	1728	986	742	790	384	137	130	130	406.4	70	85	418	130	288	70	493.2	195	220	80	140	33	305	150	140	1.47	1.57	1/2"	329	-353.2	74.0	76.7
GH-085-110/C7	1757	986	771	790	413	137	160	145	406.4	70	85	418	130	288	70	493.2	195	220	80	140	33	305	150	140	1.78	1.90	1/2"	344	-319.3	74.0	77.1
GH-085-125/C7	1759	986	773	790	415	137	180	175	406.4	70	85	418	130	288	70	493.2	195	220	80	140	33	305	150	140	2.29	2.45	1/2"	346	-313.8	74.0	77.1
GH-085-140/C7	1764	986	778	790	420	137	220	170	406.4	70	85	418	130	288	70	493.2	195	220	80	140	33	305	150	140	2.88	3.08	1/2"	365	-275.4	74.0	77.5
GH-085-160/C7	1759	986	773	790	415	137	220	190	406.4	70	85	418	130	288	70	493.2	195	220	80	140	33	305	150	140	3.76	4.02	3/4"	371	-262.8	74.0	77.7
GH-085-180/C7	1831	986	845	790	466	158	220	240	406.4	70	85	418	130	288	70	493.2	195	220	80	140	33	305	160	140	4.76	5.09	3/4"	392	-225.1	74.0	78.1
GH-085-200/C7	1810	986	824	790	466	137	240	240	406.4	70	85	418	130	288	70	493.2	195	220	80	140	33	305	160	140	5.87	6.28	3/4"	402	-204.5	74.0	78.2
<b>GH 100 - CARTER CARBON STEEL - FLANGE TYPE ISO F25</b>																															
GH-100-060/C1	2027	1097	930	871	527	147	120	120	406.4	70	100	463	160	303	84	506.2	225	255	93	140	33	353	170	167	0.62	0.67	1/2"	392	-392.9	86.7	91.1
GH-100-070/C1	2027	1097	930	871	527	147	135	135	406.4	70	100	463	160	303	84	506.2	225	255	93	140	33	353	170	167	0.85	0.90	1/2"	397	-381.2	86.7	91.2
GH-100-080/C1	2026	1097	929	871	526	147	140	140	406.4	70	100	463	160	303	84	506.2	225	255	93	140	33	353	170	167	1.11	1.18	1/2"	403	-367.6	86.7	91.3
GH-100-090/C1	2027	1097	930	871	527	147	140	140	406.4	70	100	463	160	303	84	506.2	225	255	93	140	33	353	170	167	1.40	1.49	1/2"	403	-367.2	86.7	91.3
GH-100-100/C1	2027	1097	930	871	527	147	160	150	406.4	70	100	463	160	303	84	506.2	225	255	93	140	33	353	170	167	1.73	1.84	1/2"	400	-373.5	86.7	91.3
GH-100-110/C1	2027	1097	930	871	527	147	160	145	406.4	70	100	463	160	303	84	506.2	225	255	93	140	33	353	170	167	2.09	2.23	1/2"	401	-370.6	86.7	91.3
GH-100-115/C1	2027	1097	930	871	527	147	160	160	406.4	70	100	463	160	303	84	506.2	225	255	93	140	33	353	170	167	2.28	2.44	1/2"	405	-361.9	86.7	91.4
GH-100-125/C1	2027	1097	930	871	527	147	185	165	406.4	70	100	463	160	303	84	506.2	225	255	93	140	33	353	170	167	2.70	2.88	1/2"	411	-348.4	86.7	91.5
GH-100-140/C1	2027	1097	930	871	527	147	220	170	406.4	70	100	463	160	303	84	506.2	225	255	93	140	33	353	170	167	3.39	3.62	1/2"	424	-321.4	86.7	91.8
GH-100-160/C1	2093	1097	996	871	573	167	195	195	406.4	70	100	463	160	303	84	506.2	225	255	93	140	33	353	170	167	4.42	4.72	3/4"	425	-313.9	86.7	91.8
GH-100-180/C1	2156	1097	1059	871	636	167	260	260	406.4	70	100	463	160	303	84	506.2	225	255	93	140	33	353	170	167	5.60	5.98	3/4"	503	-166.3	86.7	93.1
GH-100-200/C1	2116	1097	1019	871	626	137	240	240	406.4	70	100	463	160	303	84	506.2	225	255	93	140	33	353	170	167	6.91	7.38	3/4"	487	-189.5	86.7	92.8
GH-100-210/C1	2146	1097	1049	871	626	167	255	255	406.4	70	100	463	160	303	84	506.2	225	255	93	140	33	353	170	167	7.61	8.13	3/4"	507	-157.8	86.7	93.1
GH-100-220/C1	2169	1097	1072	871	625	191	275	275	406.4	70	100	463	160	303	84	506.2	225	255	93	140	33	353	200	167	8.36	8.93	3/4"	543	-108.9	86.7	93.6
GH-100-240/C1	2169	1097	1072	871	625	191	275	300	406.4	70	100	463	160	303	84	506.2	225	255	93	140	33	353	200	167	9.95	10.63	3/4"	548	-99.9	86	



**GH RANGE METRIC DIMENSION DATA  
- SINGLE ACTING - FAIL CLOSE - OGH000ADC REV.2**

ACTUATOR MODEL	ACTUATOR OVERALL DIMENSIONS (mm)																CARTER		SPOOL* (OPTIONAL)			CLEARANCE FOR DISASSEMBLY			DISPLACEMENT (LITRES)		X	weight	CENTER GRAVITY		
	A	B	C	B2	C2	C4	Ev	E	F	F1	G	H	K	L	N	P	AL	AR	M1	M	Weight	ES	EC	ET	Simm.	Canted	( NPT )	( Kg )	XG	ZG	YG
<b>GH 130 - CARTER CAST IRON - FLANGE TYPE ISO F30</b>																															
GH-130-060/C1	2256	1275	981	1003	527	147	120	120	457.2	100	130	520	161.5	359	99	591.6	271	306	113	150	50	424	205	202	0.81	0.86	1/2"	537	-463.2	106.0	120.9
GH-130-070/C1	2256	1275	981	1003	527	147	135	135	457.2	100	130	520	161.5	359	99	591.6	271	306	113	150	50	424	205	202	1.10	1.17	1/2"	542	-454.5	106.0	121.0
GH-130-080/C1	2255	1275	980	1003	526	147	140	140	457.2	100	130	520	161.5	359	99	591.6	271	306	113	150	50	424	205	202	1.44	1.53	1/2"	548	-444.2	106.0	121.0
GH-130-090/C1	2256	1275	981	1003	527	147	140	140	457.2	100	130	520	161.5	359	99	591.6	271	306	113	150	50	424	205	202	1.82	1.94	1/2"	548	-444.0	106.0	121.0
GH-130-100/C1	2256	1275	981	1003	527	147	160	150	457.2	100	130	520	161.5	359	99	591.6	271	306	113	150	50	424	205	202	2.25	2.39	1/2"	545	-448.8	106.0	121.0
GH-130-110/C1	2256	1275	981	1003	527	147	160	145	457.2	100	130	520	161.5	359	99	591.6	271	306	113	150	50	424	205	202	2.72	2.90	1/2"	546	-446.7	106.0	121.0
GH-130-115/C1	2256	1275	981	1003	527	147	160	160	457.2	100	130	520	161.5	359	99	591.6	271	306	113	150	50	424	205	202	2.97	3.17	1/2"	550	-440.0	106.0	121.1
GH-130-125/C1	2256	1275	981	1003	527	147	185	165	457.2	100	130	520	161.5	359	99	591.6	271	306	113	150	50	424	205	202	3.51	3.74	1/2"	556	-429.8	106.0	121.2
GH-130-140/C1	2256	1275	981	1003	527	147	220	170	457.2	100	130	520	161.5	359	99	591.6	271	306	113	150	50	424	205	202	4.40	4.69	1/2"	569	-408.9	106.0	121.3
GH-130-160/C1	2322	1275	1047	1003	573	167	195	195	457.2	100	130	520	161.5	359	99	591.6	271	306	113	150	50	424	205	202	5.75	6.13	3/4"	570	-403.7	106.0	121.4
GH-130-180/C1	2385	1275	1110	1003	636	167	260	260	457.2	100	130	520	161.5	359	99	591.6	271	306	113	150	50	424	205	202	7.28	7.76	3/4"	648	-283.6	106.0	122.3
GH-130-200/C1	2345	1275	1070	1003	626	137	240	240	457.2	100	130	520	161.5	359	99	591.6	271	306	113	150	50	424	205	202	8.98	9.58	3/4"	632	-303.7	106.0	122.1
GH-130-210/C1	2375	1275	1100	1003	626	167	255	255	457.2	100	130	520	161.5	359	99	591.6	271	306	113	150	50	424	205	202	9.90	10.55	3/4"	652	-276.6	106.0	122.4
GH-130-220/C1	2398	1275	1123	1003	625	191	275	275	457.2	100	130	520	161.5	359	99	591.6	271	306	113	150	50	424	205	202	10.87	11.59	3/4"	688	-233.0	106.0	122.7
GH-130-240/C1	2398	1275	1123	1003	625	191	275	300	457.2	100	130	520	161.5	359	99	591.6	271	306	113	150	50	424	205	202	12.93	13.79	3/4"	693	-225.3	106.0	122.8
GH-130-260/C1	2398	1275	1123	1003	625	191	275	300	457.2	100	130	520	161.5	359	99	591.6	271	306	113	150	50	424	205	202	15.16	16.17	1"	713	-201.6	106.0	123.0
GH-130-060/C2	2256	1275	981	1003	527	147	120	120	457.2	100	130	520	161.5	359	99	591.6	271	306	113	150	50	424	205	202	0.81	0.86	1/2"	562	-475.5	106.0	121.3
GH-130-070/C2	2256	1275	981	1003	527	147	135	135	457.2	100	130	520	161.5	359	99	591.6	271	306	113	150	50	424	205	202	1.10	1.17	1/2"	567	-467.1	106.0	121.3
GH-130-080/C2	2255	1275	980	1003	526	147	140	140	457.2	100	130	520	161.5	359	99	591.6	271	306	113	150	50	424	205	202	1.44	1.53	1/2"	573	-457.1	106.0	121.4
GH-130-090/C2	2256	1275	981	1003	527	147	140	140	457.2	100	130	520	161.5	359	99	591.6	271	306	113	150	50	424	205	202	1.82	1.94	1/2"	573	-456.9	106.0	121.4
GH-130-100/C2	2256	1275	981	1003	527	147	160	150	457.2	100	130	520	161.5	359	99	591.6	271	306	113	150	50	424	205	202	2.25	2.39	1/2"	570	-461.5	106.0	121.4
GH-130-110/C2	2256	1275	981	1003	527	147	160	145	457.2	100	130	520	161.5	359	99	591.6	271	306	113	150	50	424	205	202	2.72	2.90	1/2"	571	-459.5	106.0	121.4
GH-130-115/C2	2256	1275	981	1003	527	147	160	160	457.2	100	130	520	161.5	359	99	591.6	271	306	113	150	50	424	205	202	2.97	3.17	1/2"	575	-453.0	106.0	121.4
GH-130-125/C2	2256	1275	981	1003	527	147	185	165	457.2	100	130	520	161.5	359	99	591.6	271	306	113	150	50	424	205	202	3.51	3.74	1/2"	581	-441.1	106.0	121.5
GH-130-140/C2	2256	1275	981	1003	527	147	220	170	457.2	100	130	520	161.5	359	99	591.6	271	306	113	150	50	424	205	202	4.40	4.69	1/2"	594	-422.7	106.0	121.7
GH-130-160/C2	2322	1275	1047	1003	573	167	195	195	457.2	100	130	520	161.5	359	99	591.6	271	306	113	150	50	424	205	202	5.75	6.13	3/4"	595	-417.7	106.0	121.7
GH-130-180/C2	2385	1275	1110	1003	636	167	260	260	457.2	100	130	520	161.5	359	99	591.6	271	306	113	150	50	424	205	202	7.28	7.76	3/4"	673	-320.1	106.0	122.6
GH-130-200/C2	2345	1275	1070	1003	626	137	240	240	457.2	100	130	520	161.5	359	99	591.6	271	306	113	150	50	424	205	202	8.98	9.58	3/4"	657	-300.0	106.0	122.4
GH-130-210/C2	2375	1275	1100	1003	626	167	255	255	457.2	100	130	520	161.5	359	99	591.6	271	306	113	150	50	424	205	202	9.90	10.55	3/4"	677	-293.3	106.0	122.6
GH-130-220/C2	2398	1275	1123	1003	625	191	275	275	457.2	100	130	520	161.5	359	99	591.6	271	306	113	150	50	424	205	202	10.87	11.59	3/4"	713	-254.0	106.0	123.0
GH-130-240/C2	2398	1275	1123	1003	625	191	275	300	457.2	100	130	520	161.5	359	99	591.6	271	306	113	150	50	424	205	202	12.93	13.79	3/4"	718	-242.8	106.0	123.0
GH-130-260/C2	2398	1275	1123	1003	625	191	275	300	457.2	100	130	520	161.5	359	99	591.6	271	306	113	150	50	424	205	202	15.16	16.17	1"	738	-219.4	106.0	123.2
GH-130-060/C4	2775	1794	981	1522	527	147	120	120	406.4	100	130	494.7	161.5	333	99	566.2	271	306	113	150	50	424	205	202	0.81	0.86	1/2"	607	-673.4	106.0	121.8
GH-130-070/C4	2775	1794	981	1522	527	147	135	135	406.4	100	130	494.7	161.5	333	99	566.2	271	306	113	150	50	424	205	202	1.10	1.17	1/2"	612	-664.0	106.0	121.9
GH-130-080/C4	2774	1794	980	1522	526	147	140	140	406.4	100	130	494.7	161.5	333	99	566.2	271	306	113	150	50	424	205	202	1.44	1.53	1/2"	618	-653.0	106.0	122.0
GH-130-090/C4	2775	1794	981	1522	527	147	140	140	406.4	100	130	494.7	161.5	333	99	566.2	271	306	113	150	50	424	205	202	1.82	1.94	1/2"	618	-652.7	106.0	122.0
GH-130-100/C4	2775	1794	981	1522	527	147	160	150	406.4	100	130	494.7	161.5	333	99	566.2	271	306	113	150	50	424	205	202	2.25	2.39	1/2"	615	-657.9	106.0	121.9
GH-130-110/C4	2775	1794	981	1522	527	147	160	145	406.4	100	130	494.7	161.5	333	99	566.2	271	306	113	150	50	424	205	202	2.72	2.90	1/2"	616	-655.7	106.0	121.9
GH-130-115/C4	2775	1794	981	1522	527	147	160	160	406.4	100	130	494.7	161.5	333	99	566.2	271	306	113	150	50	424	205	202	2.97	3.17	1/2"	620	-648.6	106.0	122.0
GH-130-125/C4	2775	1794	981	1522	527	147	185	165	406.4	100	130	494.7	161.5	333	99	566.2	271	306	113	150	50	424	205	202	3.51	3.74	1/2"	626	-637.6	106.0	122.1
GH-130-140/C4	2775	1794	981	1522	527	147	220	170	406.4	100	130	494.7	161.5	333	99	566.2	271	306	113	150	50	424	205	202	4.40	4.69	1/2"	639	-614.9	106.0	122.2
GH-130-160/C4	2841	1794	1047	1522	573	167	195	195	406.4	100	130	494.7	161.5	333	99	566.2	271	306	113	1											



**GH RANGE METRIC DIMENSION DATA  
- SINGLE ACTING - FAIL CLOSE - OGH000ADC REV.2**

ACTUATOR MODEL	ACTUATOR OVERALL DIMENSIONS (mm)																CARTER		SPOOL* (OPTIONAL)			CLEARANCE FOR DISASSEMBLY			DISPLACEMENT (LITRES)		X	weight	CENTER GRAVITY			
	A	B	C	B2	C2	C4	Ev	E	F	F1	G	H	K	L	N	P	AL	AR	M1	M	Weight	ES	EC	ET	Simm.	Canted	( NPT )	( Kg )	XG	ZG	YG	
GH-130°060°/C5	2262	1281	981	1009	527	147	120	120	508	100	130	546	161.5	384	99	617.0	271	306	113	150	50	424	205	202	0.81	0.86	1/2"	767	-551.0	106.0	123.4	
GH-130°070°/C5	2262	1281	981	1009	527	147	135	135	508	100	130	546	161.5	384	99	617.0	271	306	113	150	50	424	205	202	1.10	1.17	1/2"	772	-544.2	106.0	123.5	
GH-130°080°/C5	2261	1281	980	1009	526	147	140	140	508	100	130	546	161.5	384	99	617.0	271	306	113	150	50	424	205	202	1.44	1.53	1/2"	778	-538.1	106.0	123.5	
GH-130°090°/C5	2262	1281	981	1009	527	147	140	140	508	100	130	546	161.5	384	99	617.0	271	306	113	150	50	424	205	202	1.82	1.94	1/2"	778	-535.9	106.0	123.5	
GH-130°100°/C5	2262	1281	981	1009	527	147	160	150	508	100	130	546	161.5	384	99	617.0	271	306	113	150	50	424	205	202	2.25	2.39	1/2"	775	-539.7	106.0	123.5	
GH-130°110°/C5	2262	1281	981	1009	527	147	160	145	508	100	130	546	161.5	384	99	617.0	271	306	113	150	50	424	205	202	2.72	2.90	1/2"	776	-538.1	106.0	123.5	
GH-130°115°/C5	2262	1281	981	1009	527	147	160	160	508	100	130	546	161.5	384	99	617.0	271	306	113	150	50	424	205	202	2.97	3.17	1/2"	780	-532.8	106.0	123.5	
GH-130°125°/C5	2262	1281	981	1009	527	147	185	165	508	100	130	546	161.5	384	99	617.0	271	306	113	150	50	424	205	202	3.51	3.74	1/2"	786	-524.8	106.0	123.6	
GH-130°140°/C5	2262	1281	981	1009	527	147	220	170	508	100	130	546	161.5	384	99	617.0	271	306	113	150	50	424	205	202	4.40	4.69	1/2"	799	-508.0	106.0	123.7	
GH-130°160°/C5	2328	1281	1047	1009	573	167	195	195	508	100	130	546	161.5	384	99	617.0	271	306	113	150	50	424	205	202	5.75	6.13	3/4"	800	-504.0	106.0	123.7	
GH-130°180°/C5	2391	1281	1110	1009	636	167	260	260	508	100	130	546	161.5	384	99	617.0	271	306	113	150	50	424	205	202	7.28	7.76	3/4"	878	-404.9	106.0	124.2	
GH-130°200°/C5	2351	1281	1070	1009	626	137	240	240	508	100	130	546	161.5	384	99	617.0	271	306	113	150	50	424	205	202	8.98	9.58	3/4"	862	-422.2	106.0	124.1	
GH-130°210°/C5	2381	1281	1100	1009	626	167	255	255	508	100	130	546	161.5	384	99	617.0	271	306	113	150	50	424	205	202	9.90	10.55	3/4"	882	-399.1	106.0	124.2	
GH-130°220°/C5	2404	1281	1123	1009	625	191	275	275	508	100	130	546	161.5	384	99	617.0	271	306	113	150	50	424	205	202	10.87	11.59	3/4"	918	-361.3	106.0	124.4	
GH-130°240°/C5	2404	1281	1123	1009	625	191	275	300	508	100	130	546	161.5	384	99	617.0	271	306	113	150	50	424	205	202	12.93	13.79	3/4"	923	-354.7	106.0	124.5	
GH-130°260°/C5	2404	1281	1123	1009	625	191	275	300	508	100	130	546	161.5	384	99	617.0	271	306	113	150	50	424	205	202	15.16	16.17	1"	943	-333.8	106.0	124.6	
GH-130°060°/C6	2262	1281	981	1009	527	147	120	120	508	100	130	545.5	161.5	384	99	617.0	271	306	113	150	50	424	205	202	0.81	0.86	1/2"	822	-565.0	106.0	123.8	
GH-130°070°/C6	2262	1281	981	1009	527	147	135	135	508	100	130	545.5	161.5	384	99	617.0	271	306	113	150	50	424	205	202	1.10	1.17	1/2"	827	-558.5	106.0	123.9	
GH-130°080°/C6	2261	1281	980	1009	526	147	140	140	508	100	130	545.5	161.5	384	99	617.0	271	306	113	150	50	424	205	202	1.44	1.53	1/2"	833	-550.8	106.0	123.9	
GH-130°090°/C6	2262	1281	981	1009	527	147	140	140	508	100	130	545.5	161.5	384	99	617.0	271	306	113	150	50	424	205	202	1.82	1.94	1/2"	833	-550.6	106.0	123.9	
GH-130°100°/C6	2262	1281	981	1009	527	147	160	150	508	100	130	545.5	161.5	384	99	617.0	271	306	113	150	50	424	205	202	2.25	2.39	1/2"	830	-554.2	106.0	123.9	
GH-130°110°/C6	2262	1281	981	1009	527	147	160	145	508	100	130	545.5	161.5	384	99	617.0	271	306	113	150	50	424	205	202	2.72	2.90	1/2"	831	-552.7	106.0	123.9	
GH-130°115°/C6	2262	1281	981	1009	527	147	160	160	508	100	130	545.5	161.5	384	99	617.0	271	306	113	150	50	424	205	202	2.97	3.17	1/2"	835	-547.7	106.0	123.9	
GH-130°125°/C6	2262	1281	981	1009	527	147	185	165	508	100	130	545.5	161.5	384	99	617.0	271	306	113	150	50	424	205	202	3.51	3.74	1/2"	841	-540.0	106.0	124.0	
GH-130°140°/C6	2262	1281	981	1009	527	147	220	170	508	100	130	545.5	161.5	384	99	617.0	271	306	113	150	50	424	205	202	4.40	4.69	1/2"	854	-524.0	106.0	124.0	
GH-130°160°/C6	2328	1281	1047	1009	573	167	195	195	508	100	130	545.5	161.5	384	99	617.0	271	306	113	150	50	424	205	202	5.75	6.13	3/4"	855	-520.3	106.0	124.0	
GH-130°180°/C6	2391	1281	1110	1009	636	167	260	260	508	100	130	545.5	161.5	384	99	617.0	271	306	113	150	50	424	205	202	7.28	7.76	3/4"	933	-425.4	106.0	124.5	
GH-130°200°/C6	2351	1281	1070	1009	626	137	240	240	508	100	130	545.5	161.5	384	99	617.0	271	306	113	150	50	424	205	202	8.98	9.58	3/4"	917	-442.0	106.0	124.4	
GH-130°210°/C6	2381	1281	1100	1009	626	167	255	255	508	100	130	545.5	161.5	384	99	617.0	271	306	113	150	50	424	205	202	9.90	10.55	3/4"	937	-419.8	106.0	124.5	
GH-130°220°/C6	2404	1281	1123	1009	625	191	275	275	508	100	130	545.5	161.5	384	99	617.0	271	306	113	150	50	424	205	202	10.87	11.59	3/4"	973	-383.2	106.0	124.7	
GH-130°240°/C6	2404	1281	1123	1009	625	191	275	300	508	100	130	545.5	161.5	384	99	617.0	271	306	113	150	50	424	205	202	12.93	13.79	3/4"	978	-376.9	106.0	124.8	
GH-130°260°/C6	2404	1281	1123	1009	625	191	275	300	508	100	130	545.5	161.5	384	99	617.0	271	306	113	150	50	424	205	202	15.16	16.17	1"	998	-356.7	106.0	124.8	
<b>GH 160 - CARTER CARBON STEEL - FLANGE TYPE ISO F35</b>																																
GH-160°070°/C0	2562	1440	1122	1099	594	147	136	135	609.6	100	160	705	240	465	105	681.8	340	380	127	150	80	530	255	222	1.36	1.45	1/2"	860	-564.1	113.9	143.5	
GH-160°080°/C0	2561	1440	1121	1099	593	147	140	140	609.6	100	160	705	240	465	105	681.8	340	380	127	150	80	530	255	222	1.77	1.89	1/2"	864	-559.3	113.9	143.6	
GH-160°090°/C0	2592	1440	1152	1099	624	147	150	150	609.6	100	160	705	240	465	105	681.8	340	380	127	150	80	530	255	222	2.24	2.39	1/2"	876	-539.9	113.9	143.8	
GH-160°100°/C0	2613	1440	1173	1099	625	167	180	160	609.6	100	160	705	240	465	105	681.8	340	380	127	150	80	530	255	222	2.76	2.95	1/2"	891	-519.0	113.9	144.1	
GH-160°110°/C0	2579	1440	1139	1099	611	147	180	160	609.6	100	160	705	240	465	105	681.8	340	380	127	150	80	530	255	222	3.34	3.57	1/2"	880	-534.1	113.9	143.9	
GH-160°115°/C0	2579	1440	1139	1099	611	147	160	160	609.6	100	160	705	240	465	105	681.8	340	380	127	150	80	530	255	222	3.65	3.90	1/2"	872	-545.0	113.9	143.7	
GH-160°125°/C0	2599	1440	1159	1099	611	167	160	160	609.6	100	160	705	240	465	105	681.8	340	380	127	150	80	530	255	222	4.32	4.61	1/2"	873	-543.3	113.9	143.7	
GH-160°140°/C0	2579	1440	1139	1099	611	147	220	170	609.6	100	160	705	240	465	105	681.8	340	380	127	150	80	530	255	262	5.42	5.79	1/2"	895	-512.5	113.9	144.1	
GH-160°160°/C0	2640	1440	1200	1099	628	191	235	185	609.6	100	160	705	240	465	105	681.8	340	380	127	150	80	530	255	262	7.08	7.56	3/4"	903	-498.3	113.9	144.3	
GH-160°180°/C0	2708	1440	1268	1099	696																											



**GH RANGE METRIC DIMENSION DATA  
- SINGLE ACTING - FAIL CLOSE - OGH000ADC REV.2**

ACTUATOR MODEL	ACTUATOR OVERALL DIMENSIONS (mm)																CARTER		SPOOL* (OPTIONAL)			CLEARANCE FOR DISASSEMBLY			DISPLACEMENT (LITRES)		X	weight	CENTER GRAVITY		
	A	B	C	B2	C2	C4	Ev	E	F	F1	G	H	K	L	N	P	AL	AR	M1	M	Weight	ES	EC	ET	Simm.	Canted	(NPT)	(Kg)	XG	ZG	YG
GH-160°-070°/C2	3156	2034	1122	1693	594	147	136	135	609.6	100	160	705	240	465	105	681.8	340	380	127	150	80	530	255	262	1.36	1.45	1/2"	1190	-853.4	113.9	148.1
GH-160°-080°/C2	3156	2034	1121	1693	593	147	140	140	609.6	100	160	705	240	465	105	681.8	340	380	127	150	80	530	255	262	1.77	1.89	1/2"	1194	-878.1	113.9	148.1
GH-160°-090°/C2	3186	2034	1152	1693	624	147	150	150	609.6	100	160	705	240	465	105	681.8	340	380	127	150	80	530	255	262	2.24	2.39	1/2"	1206	-861.6	113.9	148.2
GH-160°-100°/C2	3207	2034	1173	1693	625	167	180	160	609.6	100	160	705	240	465	105	681.8	340	380	127	150	80	530	255	262	2.76	2.95	1/2"	1221	-842.4	113.9	148.4
GH-160°-110°/C2	3173	2034	1139	1693	611	147	180	160	609.6	100	160	705	240	465	105	681.8	340	380	127	150	80	530	255	262	3.34	3.57	1/2"	1210	-856.3	113.9	148.3
GH-160°-115°/C2	3173	2034	1139	1693	611	147	160	160	609.6	100	160	705	240	465	105	681.8	340	380	127	150	80	530	255	262	3.65	3.90	1/2"	1202	-866.4	113.9	148.2
GH-160°-125°/C2	3193	2034	1159	1693	611	167	160	160	609.6	100	160	705	240	465	105	681.8	340	380	127	150	80	530	255	262	4.32	4.61	1/2"	1203	-864.8	113.9	148.2
GH-160°-140°/C2	3173	2034	1139	1693	611	147	220	170	609.6	100	160	705	240	465	105	681.8	340	380	127	150	80	530	255	262	5.42	5.79	1/2"	1225	-836.6	113.9	148.4
GH-160°-160°/C2	3234	2034	1200	1693	628	191	235	185	609.6	100	160	705	240	465	105	681.8	340	380	127	150	80	530	255	262	7.08	7.56	3/4"	1233	-823.8	113.9	148.5
GH-160°-180°/C2	3302	2034	1268	1693	696	191	340	340	609.6	100	160	705	240	465	105	681.8	340	380	127	150	80	530	255	262	8.95	9.57	3/4"	1328	-708.7	113.9	149.3
GH-160°-200°/C2	3272	2034	1238	1693	696	161	340	340	609.6	100	160	705	240	465	105	681.8	340	380	127	150	80	530	255	262	11.05	11.81	3/4"	1335	-700.2	113.9	149.4
GH-160°-210°/C2	3291	2034	1257	1693	696	180	265	265	609.6	100	160	705	240	465	105	681.8	340	380	127	150	80	530	255	262	12.18	13.01	3/4"	1328	-706.9	113.9	149.3
GH-160°-220°/C2	3302	2034	1268	1693	696	191	265	265	609.6	100	160	705	240	465	105	681.8	340	380	127	150	80	530	255	262	13.38	14.29	3/4"	1313	-722.7	113.9	149.2
GH-160°-230°/C2	3299	2034	1265	1693	693	191	370	370	609.6	100	160	705	240	465	105	681.8	340	380	127	150	80	530	255	262	14.62	15.61	3/4"	1380	-652.2	113.9	149.7
GH-160°-240°/C2	3299	2034	1265	1693	693	191	370	370	609.6	100	160	705	240	465	105	681.8	340	380	127	150	80	530	255	262	15.92	17.00	3/4"	1410	-622.2	113.9	149.9
GH-160°-260°/C2	3301	2034	1267	1693	693	193	420	420	609.6	100	160	705	240	465	105	681.8	340	380	127	150	80	530	255	262	18.66	19.93	1"	1440	-592.7	113.9	150.1
GH-160°-070°/C3	2986	1864	1122	1523	594	147	136	135	609.6	100	160	705	240	465	105	681.8	340	380	127	150	80	530	255	262	1.36	1.45	1/2"	1153	-808.8	113.9	147.7
GH-160°-080°/C3	2985	1864	1121	1523	593	147	140	140	609.6	100	160	705	240	465	105	681.8	340	380	127	150	80	530	255	262	1.77	1.89	1/2"	1157	-803.5	113.9	147.7
GH-160°-090°/C3	3016	1864	1152	1523	624	147	150	150	609.6	100	160	705	240	465	105	681.8	340	380	127	150	80	530	255	262	2.24	2.39	1/2"	1169	-787.3	113.9	147.9
GH-160°-100°/C3	3037	1864	1173	1523	625	167	180	160	609.6	100	160	705	240	465	105	681.8	340	380	127	150	80	530	255	262	2.76	2.95	1/2"	1184	-768.4	113.9	148.0
GH-160°-110°/C3	3003	1864	1139	1523	611	147	180	160	609.6	100	160	705	240	465	105	681.8	340	380	127	150	80	530	255	262	3.34	3.57	1/2"	1173	-782.0	113.9	147.9
GH-160°-115°/C3	3003	1864	1139	1523	611	147	160	160	609.6	100	160	705	240	465	105	681.8	340	380	127	150	80	530	255	262	3.65	3.90	1/2"	1165	-791.9	113.9	147.8
GH-160°-125°/C3	3023	1864	1159	1523	611	167	160	160	609.6	100	160	705	240	465	105	681.8	340	380	127	150	80	530	255	262	4.32	4.61	1/2"	1166	-790.4	113.9	147.8
GH-160°-140°/C3	3003	1864	1139	1523	611	147	220	170	609.6	100	160	705	240	465	105	681.8	340	380	127	150	80	530	255	262	5.42	5.79	1/2"	1188	-762.6	113.9	148.1
GH-160°-160°/C3	3064	1864	1200	1523	628	191	235	185	609.6	100	160	705	240	465	105	681.8	340	380	127	150	80	530	255	262	7.08	7.56	3/4"	1196	-750.0	113.9	148.1
GH-160°-180°/C3	3132	1864	1268	1523	696	191	340	340	609.6	100	160	705	240	465	105	681.8	340	380	127	150	80	530	255	262	8.95	9.57	3/4"	1291	-637.0	113.9	149.0
GH-160°-200°/C3	3102	1864	1238	1523	696	161	340	340	609.6	100	160	705	240	465	105	681.8	340	380	127	150	80	530	255	262	11.05	11.81	3/4"	1298	-628.6	113.9	149.1
GH-160°-210°/C3	3121	1864	1257	1523	696	180	265	265	609.6	100	160	705	240	465	105	681.8	340	380	127	150	80	530	255	262	12.18	13.01	3/4"	1291	-635.2	113.9	149.0
GH-160°-220°/C3	3132	1864	1268	1523	696	191	265	265	609.6	100	160	705	240	465	105	681.8	340	380	127	150	80	530	255	262	13.38	14.29	3/4"	1276	-650.6	113.9	148.9
GH-160°-230°/C3	3129	1864	1265	1523	693	191	370	370	609.6	100	160	705	240	465	105	681.8	340	380	127	150	80	530	255	262	14.62	15.61	3/4"	1343	-581.8	113.9	149.4
GH-160°-240°/C3	3129	1864	1265	1523	693	191	370	370	609.6	100	160	705	240	465	105	681.8	340	380	127	150	80	530	255	262	15.92	17.00	3/4"	1373	-552.5	113.9	149.7
GH-160°-260°/C3	3131	1864	1267	1523	693	193	420	420	609.6	100	160	705	240	465	105	681.8	340	380	127	150	80	530	255	262	18.66	19.93	1"	1403	-523.7	113.9	149.9
GH-160°-070°/C4	2986	1864	1122	1523	594	147	136	135	609.6	100	160	705	240	465	105	681.8	340	380	127	150	80	530	255	262	1.36	1.45	1/2"	1325	-846.7	113.9	149.3
GH-160°-080°/C4	2985	1864	1121	1523	593	147	140	140	609.6	100	160	705	240	465	105	681.8	340	380	127	150	80	530	255	262	1.77	1.89	1/2"	1329	-842.0	113.9	149.3
GH-160°-090°/C4	3016	1864	1152	1523	624	147	150	150	609.6	100	160	705	240	465	105	681.8	340	380	127	150	80	530	255	262	2.24	2.39	1/2"	1341	-827.5	113.9	149.4
GH-160°-100°/C4	3037	1864	1173	1523	625	167	180	160	609.6	100	160	705	240	465	105	681.8	340	380	127	150	80	530	255	262	2.76	2.95	1/2"	1356	-810.6	113.9	149.5
GH-160°-110°/C4	3003	1864	1139	1523	611	147	180	160	609.6	100	160	705	240	465	105	681.8	340	380	127	150	80	530	255	262	3.34	3.57	1/2"	1345	-822.8	113.9	149.4
GH-160°-115°/C4	3003	1864	1139	1523	611	147	160	160	609.6	100	160	705	240	465	105	681.8	340	380	127	150	80	530	255	262	3.65	3.90	1/2"	1337	-831.7	113.9	149.4
GH-160°-125°/C4	3023	1864	1159	1523	611	167	160	160	609.6	100	160	705	240	465	105	681.8	340	380	127	150	80	530	255	262	4.32	4.61	1/2"	1338	-830.3	113.9	149.4
GH-160°-140°/C4	3003	1864	1139	1523	611	147	220	170	609.6	100	160	705	240	465	105	681.8	340	380	127	150	80	530	255	262	5.42	5.79	1/2"	1360	-805.4	113.9	149.6
GH-160°-160°/C4	3064	1864	1200	1523	628	191	235	185	609.6	100	160	705	240	465	105	681.8	340	380	127	150	80	530	255	262	7.08	7.56	3/4"	1368	-794.1	113.9	149.6
GH-160°-180°/C4	3132	1864	1268	1523	696	191	340	340																							



**GH RANGE METRIC DIMENSION DATA  
- SINGLE ACTING - FAIL CLOSE - OGH000ADC REV.2**

ACTUATOR MODEL	ACTUATOR OVERALL DIMENSIONS (mm)																CARTER		SPOOL* (OPTIONAL)			CLEARANCE FOR DISASSEMBLY			DISPLACEMENT (LITRES)		X	weight	CENTER GRAVITY		
	A	B	C	B2	C2	C4	Ev	E	F	F1	G	H	K	L	N	P	AL	AR	M1	M	Weight	ES	EC	ET	Simm.	Canted	(NPT)	(Kg)	XG	ZG	YG
GH-161-070/C1	2919	1797	1122	1455.5	594	147	136	135	406.4	100	160	603	240	363	145	603.2	340	380	150	150	80	530	255	268	1.36	1.45	1/2"	780	-536.8	136.3	135.2
GH-161-080/C1	2918	1797	1121	1455.5	593	147	140	140	406.4	100	160	603	240	363	145	603.2	340	380	150	150	80	530	255	268	1.77	1.89	1/2"	784	-530.5	136.3	135.3
GH-161-090/C1	2949	1797	1152	1455.5	624	147	150	150	406.4	100	160	603	240	363	145	603.2	340	380	150	150	80	530	255	140	2.24	2.39	1/2"	796	-510.8	136.3	135.7
GH-161-100/C1	2970	1797	1173	1455.5	625	167	180	160	406.4	100	160	603	240	363	145	603.2	340	380	150	150	80	530	255	289	2.76	2.95	1/2"	811	-488.3	136.3	136.1
GH-161-110/C1	2936	1797	1139	1455.5	611	147	180	160	406.4	100	160	603	240	363	145	603.2	340	380	150	150	80	530	255	289	3.34	3.57	1/2"	800	-504.4	136.3	135.8
GH-161-115/C1	2936	1797	1139	1455.5	611	147	160	160	406.4	100	160	603	240	363	145	603.2	340	380	150	150	80	530	255	289	3.65	3.90	1/2"	792	-516.2	136.3	135.6
GH-161-125/C1	2956	1797	1159	1455.5	611	167	160	160	406.4	100	160	603	240	363	145	603.2	340	380	150	150	80	530	255	289	4.32	4.61	1/2"	793	-514.3	136.3	135.6
GH-161-140/C1	2936	1797	1139	1455.5	611	147	220	170	406.4	100	160	603	240	363	145	603.2	340	380	150	150	80	530	255	289	5.42	5.79	1/2"	815	-481.3	136.3	136.3
GH-161-160/C1	2997	1797	1200	1455.5	628	191	235	185	406.4	100	160	603	240	363	145	603.2	340	380	150	150	80	530	255	289	7.08	7.56	3/4"	823	-466.1	136.3	136.5
GH-161-180/C1	3065	1797	1268	1455.5	696	191	340	340	406.4	100	160	603	240	363	145	603.2	340	380	150	150	80	530	255	289	8.95	9.57	3/4"	918	-336.6	136.3	138.9
GH-161-200/C1	3035	1797	1238	1455.5	696	161	340	340	406.4	100	160	603	240	363	145	603.2	340	380	150	150	80	530	255	285	11.05	11.81	3/4"	925	-327.1	136.3	139.1
GH-161-210/C1	3054	1797	1257	1455.5	696	180	265	265	406.4	100	160	603	240	363	145	603.2	340	380	150	150	80	530	255	285	12.18	13.01	3/4"	918	-334.0	136.3	138.9
GH-161-220/C1	3065	1797	1268	1455.5	696	191	265	265	406.4	100	160	603	240	363	145	603.2	340	380	150	150	80	530	255	285	13.38	14.29	3/4"	903	-350.8	136.3	138.6
GH-161-230/C1	3062	1797	1265	1455.5	693	191	370	370	406.4	100	160	603	240	363	145	603.2	340	380	150	150	80	530	255	285	14.62	15.61	3/4"	970	-276.2	136.3	140.1
GH-161-240/C1	3065	1797	1268	1455.5	696	191	265	265	406.4	100	160	603	240	363	145	603.2	340	380	150	150	80	530	255	285	15.92	17.00	3/4"	1000	-245.2	136.3	140.7
GH-161-260/C1	3064	1797	1267	1455.5	693	193	420	420	406.4	100	160	603	240	363	145	603.2	340	380	150	150	80	530	255	285	18.66	19.93	1"	1030	-215.0	136.3	141.2
GH-161-070/C2	3156	2034	1122	1693	594	147	136	135	609.6	100	160	705	240	465	145	704.8	340	380	150	150	80	530	255	285	1.36	1.45	1/2"	1270	-827.3	136.3	144.8
GH-161-080/C2	3155	2034	1121	1693	593	147	140	140	609.6	100	160	705	240	465	145	704.8	340	380	150	150	80	530	255	285	1.77	1.89	1/2"	1274	-824.2	136.3	144.8
GH-161-090/C2	3186	2034	1152	1693	624	147	150	150	609.6	100	160	705	240	465	145	704.8	340	380	150	150	80	530	255	285	2.24	2.39	1/2"	1286	-807.5	136.3	145.0
GH-161-100/C2	3207	2034	1173	1693	625	167	180	160	609.6	100	160	705	240	465	145	704.8	340	380	150	150	80	530	255	285	2.76	2.95	1/2"	1301	-790.1	136.3	145.1
GH-161-110/C2	3173	2034	1139	1693	611	147	180	160	609.6	100	160	705	240	465	145	704.8	340	380	150	150	80	530	255	285	3.34	3.57	1/2"	1290	-802.6	136.3	145.0
GH-161-115/C2	3173	2034	1139	1693	611	147	160	160	609.6	100	160	705	240	465	145	704.8	340	380	150	150	80	530	255	285	3.65	3.90	1/2"	1282	-811.8	136.3	144.9
GH-161-125/C2	3193	2034	1159	1693	611	167	160	160	609.6	100	160	705	240	465	145	704.8	340	380	150	150	80	530	255	285	4.32	4.61	1/2"	1283	-810.4	136.3	144.9
GH-161-140/C2	3173	2034	1139	1693	611	147	220	170	609.6	100	160	705	240	465	145	704.8	340	380	150	150	80	530	255	285	5.42	5.79	1/2"	1305	-784.7	136.3	145.2
GH-161-160/C2	3234	2034	1200	1693	628	191	235	185	609.6	100	160	705	240	465	145	704.8	340	380	150	150	80	530	255	285	7.08	7.56	3/4"	1313	-773.1	136.3	145.3
GH-161-180/C2	3302	2034	1268	1693	696	191	340	340	609.6	100	160	705	240	465	145	704.8	340	380	150	150	80	530	255	285	8.95	9.57	3/4"	1408	-667.9	136.3	146.3
GH-161-200/C2	3272	2034	1238	1693	696	161	340	340	609.6	100	160	705	240	465	145	704.8	340	380	150	150	80	530	255	285	11.05	11.81	3/4"	1415	-660.1	136.3	146.3
GH-161-210/C2	3291	2034	1257	1693	696	180	265	265	609.6	100	160	705	240	465	145	704.8	340	380	150	150	80	530	255	285	12.18	13.01	3/4"	1408	-666.2	136.3	146.3
GH-161-220/C2	3302	2034	1268	1693	696	191	265	265	609.6	100	160	705	240	465	145	704.8	340	380	150	150	80	530	255	285	13.38	14.29	3/4"	1393	-680.7	136.3	146.1
GH-161-230/C2	3299	2034	1265	1693	693	191	370	370	609.6	100	160	705	240	465	145	704.8	340	380	150	150	80	530	255	285	14.62	15.61	3/4"	1460	-616.0	136.3	146.7
GH-161-240/C2	3302	2034	1268	1693	696	191	265	265	609.6	100	160	705	240	465	145	704.8	340	380	150	150	80	530	255	285	15.92	17.00	3/4"	1490	-588.3	136.3	147.0
GH-161-260/C2	3301	2034	1267	1693	693	193	420	420	609.6	100	160	705	240	465	145	704.8	340	380	150	150	80	530	255	285	18.66	19.93	1"	1520	-561.1	136.3	147.3
GH-161-070/C3	2986	1864	1122	1523	594	147	136	135	609.6	100	160	705	240	465	145	704.8	340	380	150	150	80	530	255	285	1.36	1.45	1/2"	1233	-755.7	136.3	144.3
GH-161-080/C3	2985	1864	1121	1523	593	147	140	140	609.6	100	160	705	240	465	145	704.8	340	380	150	150	80	530	255	285	1.77	1.89	1/2"	1237	-751.0	136.3	144.4
GH-161-090/C3	3016	1864	1152	1523	624	147	150	150	609.6	100	160	705	240	465	145	704.8	340	380	150	150	80	530	255	285	2.24	2.39	1/2"	1249	-736.3	136.3	144.5
GH-161-100/C3	3037	1864	1173	1523	625	167	180	160	609.6	100	160	705	240	465	145	704.8	340	380	150	150	80	530	255	285	2.76	2.95	1/2"	1264	-719.2	136.3	144.7
GH-161-110/C3	3003	1864	1139	1523	611	147	180	160	609.6	100	160	705	240	465	145	704.8	340	380	150	150	80	530	255	285	3.34	3.57	1/2"	1253	-731.5	136.3	144.6
GH-161-115/C3	3003	1864	1139	1523	611	147	160	160	609.6	100	160	705	240	465	145	704.8	340	380	150	150	80	530	255	285	3.65	3.90	1/2"	1245	-740.5	136.3	144.5
GH-161-125/C3	3023	1864	1159	1523	611	167	160	160	609.6	100	160	705	240	465	145	704.8	340	380	150	150	80	530	255	285	4.32	4.61	1/2"	1246	-739.1	136.3	144.5
GH-161-140/C3	3003	1864	1139	1523	611	147	220	170	609.6	100	160	705	240	465	145	704.8	340	380	150	150	80	530	255	285	5.42	5.79	1/2"	1268	-713.9	136.3	144.7
GH-161-160/C3	3064	1864	1200	1523	628	191	235	185	609.6	100	160	705	240	465	145	704.8	340	380	150	150	80	530	255	285	7.08	7.56	3/4"	1276	-702.5	136.3	144.8
GH-161-180/C3	3132	1864	1268	1523	696	191	340	340	609.6	100	160	705	240	465	145	704.8	340	380	150	150	80										





**GH RANGE METRIC DIMENSION DATA  
- SINGLE ACTING - FAIL CLOSE - OGH000ADC REV.2**

ACTUATOR MODEL	ACTUATOR OVERALL DIMENSIONS (mm)																CARTER		SPOOL* (OPTIONAL)			CLEARANCE FOR DISASSEMBLY			DISPLACEMENT (LITRES)		X	weight	CENTER GRAVITY		
	A	B	C	B2	C2	C4	Ev	E	F	F1	G	H	K	L	N	P	AL	AR	M1	M	Weight	ES	EC	ET	Simm.	Canted	(NPT)	(Kg)	XG	ZG	YG
GH-161*070/C5	2997	1875	1122	1534	594	147	136	135	609.6	100	160	705	240	465	145	704.8	340	380	150	150	80	530	255	285	1.36	1.45	1/2"	1405	-802.1	136.3	146.2
GH-161*080/C5	2996	1875	1121	1534	593	147	140	140	609.6	100	160	705	240	465	145	704.8	340	380	150	150	80	530	255	285	1.77	1.89	1/2"	1409	-797.8	136.3	146.3
GH-161*090/C5	3027	1875	1152	1534	624	147	150	150	609.6	100	160	705	240	465	145	704.8	340	380	150	150	80	530	255	285	2.24	2.39	1/2"	1421	-784.5	136.3	146.4
GH-161*100/C5	3048	1875	1173	1534	625	167	180	160	609.6	100	160	705	240	465	145	704.8	340	380	150	150	80	530	255	285	2.76	2.95	1/2"	1436	-769.0	136.3	146.5
GH-161*110/C5	3014	1875	1139	1534	611	147	180	160	609.6	100	160	705	240	465	145	704.8	340	380	150	150	80	530	255	285	3.34	3.57	1/2"	1425	-780.2	136.3	146.4
GH-161*115/C5	3014	1875	1139	1534	611	147	160	160	609.6	100	160	705	240	465	145	704.8	340	380	150	150	80	530	255	285	3.65	3.90	1/2"	1417	-788.3	136.3	146.3
GH-161*125/C5	3034	1875	1159	1534	611	167	160	160	609.6	100	160	705	240	465	145	704.8	340	380	150	150	80	530	255	285	4.32	4.61	1/2"	1418	-787.1	136.3	146.4
GH-161*140/C5	3014	1875	1139	1534	611	147	220	170	609.6	100	160	705	240	465	145	704.8	340	380	150	150	80	530	255	285	5.42	5.79	1/2"	1440	-764.2	136.3	146.6
GH-161*160/C5	3075	1875	1200	1534	628	191	235	185	609.6	100	160	705	240	465	145	704.8	340	380	150	150	80	530	255	285	7.08	7.56	3/4"	1448	-753.8	136.3	146.6
GH-161*180/C5	3143	1875	1268	1534	696	191	340	340	609.6	100	160	705	240	465	145	704.8	340	380	150	150	80	530	255	285	8.95	9.57	3/4"	1543	-659.0	136.3	147.5
GH-161*200/C5	3113	1875	1238	1534	696	161	340	340	609.6	100	160	705	240	465	145	704.8	340	380	150	150	80	530	255	285	11.05	11.81	3/4"	1550	-651.8	136.3	147.5
GH-161*210/C5	3132	1875	1257	1534	696	180	265	265	609.6	100	160	705	240	465	145	704.8	340	380	150	150	80	530	255	285	12.18	13.01	3/4"	1543	-657.4	136.3	147.5
GH-161*220/C5	3143	1875	1268	1534	696	191	265	265	609.6	100	160	705	240	465	145	704.8	340	380	150	150	80	530	255	285	13.38	14.29	3/4"	1528	-670.5	136.3	147.3
GH-161*230/C5	3140	1875	1265	1534	693	191	370	370	609.6	100	160	705	240	465	145	704.8	340	380	150	150	80	530	255	285	14.62	15.61	3/4"	1595	-611.7	136.3	147.9
GH-161*240/C5	3143	1875	1268	1534	696	191	265	265	609.6	100	160	705	240	465	145	704.8	340	380	150	150	80	530	255	285	15.92	17.00	3/4"	1625	-586.4	136.3	148.1
GH-161*260/C5	3142	1875	1267	1534	693	193	420	420	609.6	100	160	705	240	465	145	704.8	340	380	150	150	80	530	255	285	18.66	19.93	1"	1655	-561.4	136.3	148.3
<b>GH 200 - CARTER CARBON STEEL - FLANGE TYPE ISO F40</b>																															
GH-200*090/C1	3362	1943	1419	1517	731	212	150	150	609.6	100	200	785	280	505	128	757.8	425	475	153	200	165	663	320	271	2.80	2.99	1/2"	1537	-736.3	137.9	177.3
GH-200*100/C1	3385	1943	1442	1517	752	214	190	190	609.6	100	200	785	280	505	128	757.8	425	475	153	200	165	663	320	271	3.45	3.69	1/2"	1567	-705.3	137.9	177.8
GH-200*110/C1	3383	1943	1440	1517	752	212	190	190	609.6	100	200	785	280	505	128	757.8	425	475	153	200	165	663	320	271	4.18	4.47	1/2"	1559	-713.0	137.9	177.7
GH-200*125/C1	3385	1943	1442	1517	768	198	210	210	609.6	100	200	785	280	505	128	757.8	425	475	153	200	165	663	320	271	5.40	5.77	1/2"	1594	-676.8	137.9	178.1
GH-200*140/C1	3385	1943	1442	1517	768	198	260	290	609.6	100	200	785	280	505	128	757.8	425	475	153	200	165	663	320	271	6.77	7.23	1/2"	1647	-627.0	137.9	178.9
GH-200*160/C1	3430	1943	1487	1517	813	198	340	340	609.6	100	200	785	280	505	128	757.8	425	475	153	200	165	663	320	271	8.84	9.45	3/4"	1697	-579.6	137.9	179.5
GH-200*170/C1	3425	1943	1482	1517	808	198	340	340	609.6	100	200	785	280	505	128	757.8	425	475	153	200	165	663	320	271	11.19	11.96	3/4"	1682	-592.6	137.9	179.3
GH-200*180/C1	3425	1943	1482	1517	808	198	340	340	609.6	100	200	785	280	505	128	757.8	425	475	153	200	165	663	320	271	13.82	14.76	3/4"	1682	-592.1	137.9	179.3
GH-200*200/C1	3501	1943	1558	1517	850	232	270	240	609.6	100	200	785	280	505	128	757.8	425	475	153	200	165	663	320	271	15.22	16.26	3/4"	1682	-586.0	137.9	179.3
GH-200*210/C1	3459	1943	1516	1517	808	232	365	365	609.6	100	200	785	280	505	128	757.8	425	475	153	200	165	663	320	271	16.72	17.86	3/4"	1752	-531.9	137.9	180.1
GH-200*220/C1	3424	1943	1481	1517	808	197	340	340	609.6	100	200	785	280	505	128	757.8	425	475	153	200	165	663	320	271	18.27	19.51	3/4"	1702	-572.8	137.9	179.5
GH-200*230/C1	3424	1943	1481	1517	808	197	370	370	609.6	100	200	785	280	505	128	757.8	425	475	153	200	165	663	320	271	19.90	21.25	3/4"	1727	-551.3	137.9	179.8
GH-200*240/C1	3486	1943	1543	1517	835	232	420	420	609.6	100	200	785	280	505	128	757.8	425	475	153	200	165	663	320	271	23.32	24.91	3/4"	1857	-449.9	137.9	181.2
GH-200*250/C1	3499	1943	1556	1517	808	272	420	420	609.6	100	200	785	280	505	128	757.8	425	475	153	200	165	663	320	271	21.56	23.03	1"	1752	-529.6	137.9	180.1
GH-200*260/C1	3499	1943	1556	1517	808	272	420	420	609.6	100	200	785	280	505	128	757.8	425	475	153	200	165	663	320	271	23.32	24.91	1"	1797	-493.7	137.9	180.6
GH-200*280/C1	3499	1943	1556	1517	808	272	430	430	609.6	100	200	785	280	505	128	757.8	425	475	153	200	165	663	320	271	27.08	28.93	1"	1852	-452.0	137.9	181.2
GH-200*300/C1	3459	1943	1516	1517	808	232	420	420	609.6	100	200	785	280	505	128	757.8	425	475	153	200	165	663	320	271	31.09	33.21	3/4"	1817	-476.0	137.9	180.8
GH-200*320/C1	3424	1943	1481	1517	808	197	470	470	609.6	100	200	785	280	505	128	757.8	425	475	153	200	165	663	320	271	35.37	37.78	3/4"	1892	-421.0	137.9	181.6
GH-200*340/C1	3417	1943	1474	1517	801	197	500	500	609.6	100	200	785	280	505	128	757.8	425	475	153	200	165	663	320	271	39.91	42.63	1"	1897	-417.0	137.9	181.6
GH-200*360/C1	3417	1943	1474	1517	801	197	500	500	609.6	100	200	785	280	505	128	757.8	425	475	153	200	165	663	320	271	44.76	47.81	1"	2007	-344.8	137.9	182.6
GH-200*380/C1	3417	1943	1474	1517	801	197	500	500	609.6	100	200	785	280	505	128	757.8	425	475	153	200	165	663	320	271	49.96	53.37	1"	2017	-337.1	137.9	182.7
GH-200*090/C2	3362	1943	1419	1517	731	212	150	150	609.6	100	200	785	280	505	128	757.8	425	475	153	200	165	663	320	271	2.80	2.99	1/2"	1590	-751.2	137.9	178.1
GH-200*100/C2	3385	1943	1442	1517	752	214	190	190	609.6	100	200	785	280	505	128	757.8	425	475	153	200	165	663	320	271	3.45	3.69	1/2"	1620	-720.9	137.9	178.5
GH-200*110/C2	3383	1943	1440	1517	752	212	190	190	609.6	100	200	785	280	505	128	757.8	425	475	153	200	165	663	320	271	4.18	4.47	1/2"	1612	-728.4	137.9	178.4
GH-200*125/C2	3385	1943	1442	1517	768	198	210	210	609.6	100	200	785	280	505	128	757.8	425	475	153	200	165	663	320	271	5.40	5.77	1/2"	1647	-693.1	137.9	178.9
GH-200*140/C2	3385	1943	1442	1517	768	198	260	290	609.6	100	200	785	280	505																	





**GH RANGE METRIC DIMENSION DATA**  
**- SINGLE ACTING - FAIL CLOSE - OGH000ADC REV.2**

ACTUATOR MODEL	ACTUATOR OVERALL DIMENSIONS (mm)															CARTER		SPOOL* (OPTIONAL)			CLEARANCE FOR DISASSEMBLY			DISPLACEMENT (LITRES)		X	weight	CENTER GRAVITY				
	A	B	C	B2	C2	C4	Ev	E	F	F1	G	H	K	L	N	P	AL	AR	M1	M	Weight	ES	EC	ET	Simm.	Canted	( NPT )	( Kg )	XG	ZG	YG	
<b>GH 201 - CARTER CARBON STEEL - FLANGE TYPE ISO F40</b>																																
GH-201*090/C3	3958	2539	1419	2113	731	212	150	150	609.6	100	200	785	280	505	149	767.8	425	475	163	200	165	663	320	302	2.80	2.99	1/2"	2221	-988.7	147.8	181.8	
GH-201*100/C3	3981	2539	1442	2113	752	214	190	190	609.6	100	200	785	280	505	149	767.8	425	475	163	200	165	663	320	302	3.45	3.69	1/2"	2251	-963.7	147.8	182.0	
GH-201*110/C3	3979	2539	1440	2113	752	212	190	190	609.6	100	200	785	280	505	149	767.8	425	475	163	200	165	663	320	302	4.18	4.47	1/2"	2243	-970.0	147.8	181.9	
GH-201*125/C3	3981	2539	1442	2113	768	198	210	210	609.6	100	200	785	280	505	149	767.8	425	475	163	200	165	663	320	302	5.40	5.77	1/2"	2278	-940.7	147.8	182.2	
GH-201*140/C3	3981	2539	1442	2113	768	198	260	290	609.6	100	200	785	280	505	149	767.8	425	475	163	200	165	663	320	302	6.77	7.23	1/2"	2331	-899.5	147.8	182.6	
GH-201*160/C3	4026	2539	1487	2113	813	198	340	340	609.6	100	200	785	280	505	149	767.8	425	475	163	200	165	663	320	302	8.84	9.45	3/4"	2381	-860.0	147.8	183.0	
GH-201*170/C3	4021	2539	1482	2113	808	198	340	340	609.6	100	200	785	280	505	149	767.8	425	475	163	200	165	663	320	302	11.19	11.96	3/4"	2366	-871.0	147.8	182.9	
GH-201*180/C3	4021	2539	1482	2113	808	198	340	340	609.6	100	200	785	280	505	149	767.8	425	475	163	200	165	663	320	302	13.82	14.76	3/4"	2366	-870.7	147.8	182.9	
GH-201*200/C3	4097	2539	1558	2113	850	232	270	240	609.6	100	200	785	280	505	149	767.8	425	475	163	200	165	663	320	302	15.22	16.26	3/4"	2366	-866.3	147.8	182.9	
GH-201*210/C3	4055	2539	1516	2113	808	232	365	365	609.6	100	200	785	280	505	149	767.8	425	475	163	200	165	663	320	302	16.72	17.86	3/4"	2436	-819.3	147.8	183.4	
GH-201*220/C3	4020	2539	1481	2113	808	197	340	340	609.6	100	200	785	280	505	149	767.8	425	475	163	200	165	663	320	302	18.27	19.51	3/4"	2386	-854.5	147.8	183.0	
GH-201*230/C3	4020	2539	1481	2113	808	197	370	370	609.6	100	200	785	280	505	149	767.8	425	475	163	200	165	663	320	302	19.90	21.25	3/4"	2411	-836.2	147.8	183.2	
GH-201*240/C3	4082	2539	1543	2113	835	232	420	420	609.6	100	200	785	280	505	149	767.8	425	475	163	200	165	663	320	302	23.32	24.91	3/4"	2541	-747.5	147.8	184.1	
GH-201*250/C3	4095	2539	1556	2113	808	272	420	420	609.6	100	200	785	280	505	149	767.8	425	475	163	200	165	663	320	302	21.56	23.03	1"	2436	-817.7	147.8	183.4	
GH-201*260/C3	4095	2539	1556	2113	808	272	420	420	609.6	100	200	785	280	505	149	767.8	425	475	163	200	165	663	320	302	23.32	24.91	1"	2481	-786.5	147.8	183.7	
GH-201*280/C3	4095	2539	1556	2113	808	272	430	430	609.6	100	200	785	280	505	149	767.8	425	475	163	200	165	663	320	302	27.08	28.93	1"	2536	-749.6	147.8	184.0	
GH-201*300/C3	4055	2539	1516	2113	808	232	420	420	609.6	100	200	785	280	505	149	767.8	425	475	163	200	165	663	320	302	31.09	33.21	3/4"	2501	-771.2	147.8	183.8	
GH-201*320/C3	4020	2539	1481	2113	808	197	470	470	609.6	100	200	785	280	505	149	767.8	425	475	163	200	165	663	320	302	35.37	37.78	3/4"	2576	-722.2	147.8	184.3	
GH-201*340/C3	4013	2539	1474	2113	801	197	500	500	609.6	100	200	785	280	505	149	767.8	425	475	163	200	165	663	320	302	39.91	42.63	1"	2581	-718.7	147.8	184.3	
GH-201*360/C3	4013	2539	1474	2113	801	197	500	500	609.6	100	200	785	280	505	149	767.8	425	475	163	200	165	663	320	302	44.76	47.81	1"	2691	-652.5	147.8	184.9	
GH-201*380/C3	4013	2539	1474	2113	801	197	500	500	609.6	100	200	785	280	505	149	767.8	425	475	163	200	165	663	320	302	49.96	53.37	1"	2701	-645.6	147.8	185.0	
GH-201*090/C7	3986	2567	1419	2141	731	212	150	150	609.6	100	200	785	280	505	149	767.8	425	475	163	200	165	663	320	302	2.80	2.99	1/2"	2238	-1002.2	147.8	181.9	
GH-201*100/C7	4009	2567	1442	2141	752	214	190	190	609.6	100	200	785	280	505	149	767.8	425	475	163	200	165	663	320	302	3.45	3.69	1/2"	2268	-977.2	147.8	182.1	
GH-201*110/C7	4007	2567	1440	2141	752	212	190	190	609.6	100	200	785	280	505	149	767.8	425	475	163	200	165	663	320	302	4.18	4.47	1/2"	2260	-983.5	147.8	182.1	
GH-201*125/C7	4009	2567	1442	2141	768	198	210	210	609.6	100	200	785	280	505	149	767.8	425	475	163	200	165	663	320	302	5.40	5.77	1/2"	2295	-954.2	147.8	182.4	
GH-201*140/C7	4009	2567	1442	2141	768	198	260	290	609.6	100	200	785	280	505	149	767.8	425	475	163	200	165	663	320	302	6.77	7.23	1/2"	2348	-912.9	147.8	182.8	
GH-201*160/C7	4054	2567	1487	2141	813	198	340	340	609.6	100	200	785	280	505	149	767.8	425	475	163	200	165	663	320	302	8.84	9.45	3/4"	2398	-873.5	147.8	183.1	
GH-201*170/C7	4049	2567	1482	2141	808	198	340	340	609.6	100	200	785	280	505	149	767.8	425	475	163	200	165	663	320	302	11.19	11.96	3/4"	2383	-884.5	147.8	183.0	
GH-201*180/C7	4049	2567	1482	2141	808	198	340	340	609.6	100	200	785	280	505	149	767.8	425	475	163	200	165	663	320	302	13.82	14.76	3/4"	2383	-884.1	147.8	183.0	
GH-201*200/C7	4125	2567	1558	2141	850	232	270	240	609.6	100	200	785	280	505	149	767.8	425	475	163	200	165	663	320	302	15.22	16.26	3/4"	2383	-879.8	147.8	183.0	
GH-201*210/C7	4083	2567	1516	2141	808	232	365	365	609.6	100	200	785	280	505	149	767.8	425	475	163	200	165	663	320	302	16.72	17.86	3/4"	2453	-832.8	147.8	183.5	
GH-201*220/C7	4048	2567	1481	2141	808	197	340	340	609.6	100	200	785	280	505	149	767.8	425	475	163	200	165	663	320	302	18.27	19.51	3/4"	2403	-868.0	147.8	183.1	
GH-201*230/C7	4048	2567	1481	2141	808	197	370	370	609.6	100	200	785	280	505	149	767.8	425	475	163	200	165	663	320	302	19.90	21.25	3/4"	2428	-849.7	147.8	183.3	
GH-201*240/C7	4110	2567	1543	2141	835	232	420	420	609.6	100	200	785	280	505	149	767.8	425	475	163	200	165	663	320	302	23.32	24.91	3/4"	2558	-760.8	147.8	184.2	
GH-201*250/C7	4123	2567	1556	2141	808	272	420	420	609.6	100	200	785	280	505	149	767.8	425	475	163	200	165	663	320	302	21.56	23.03	1"	2453	-831.1	147.8	183.5	
GH-201*260/C7	4123	2567	1556	2141	808	272	420	420	609.6	100	200	785	280	505	149	767.8	425	475	163	200	165	663	320	302	23.32	24.91	1"	2498	-799.9	147.8	183.8	
GH-201*280/C7	4123	2567	1556	2141	808	272	430	430	609.6	100	200	785	280	505	149	767.8	425	475	163	200	165	663	320	302	27.08	28.93	1"	2553	-763.0	147.8	184.1	
GH-201*300/C7	4083	2567	1516	2141	808	232	420	420	609.6	100	200	785	280	505	149	767.8	425	475	163	200	165	663	320	302	31.09	33.21	3/4"	2518	-784.7	147.8	183.9	
GH-201*320/C7	4048	2567	1481	2141	808	197	470	470	609.6	100	200	785	280	505	149	767.8	425	475	163	200	165	663	320	302	35.37	37.78	3/4"	2593	-735.6	147.8	184.4	
GH-201*340/C7	4041	2567	1474	2141	801	197	500	500	609.6	100	200	785	280	505	149	767.8	425	475	163	200	165	663	320	302	39.91	42.63	1"	2598	-732.1	147.8	184.4	
GH-201*360/C7	4041	2567	1474	2141	801	197	500	500	609.6	100	200	785	280	505	149	767.8	425	475	163	200	165	663	320	302	44.76	47.81	1"	2708	-665.			



**GH RANGE METRIC DIMENSION DATA**  
**- SINGLE ACTING - FAIL CLOSE - OGH000ADC REV.2**

ACTUATOR MODEL	ACTUATOR OVERALL DIMENSIONS (mm)																CARTER		SPOOL* (OPTIONAL)			CLEARANCE FOR DISASSEMBLY			DISPLACEMENT (LITRES)		X	weight	CENTER GRAVITY			
	A	B	C	B2	C2	C4	Ev	E	F	F1	G	H	K	L	N	P	AL	AR	M1	M	Weight	ES	EC	ET	Simm.	Canted	( NPT )	( Kg )	XG	ZG	YG	
<b>GH 270 - CARTER CARBON STEEL - FLANGE TYPE ISO F48</b>																																
GH-270-125/C0	5019	3176	1843	2665	990	272	265	290	711.2	150	270	936	310	626	164	935.6	510	580	180	250	240	800	390	334	7.29	7.79	3/4"	3477	-1230.5	168.9	247.4	
GH-270-140/C0	5019	3176	1843	2665	990	272	265	290	711.2	150	270	936	310	626	164	935.6	510	580	180	250	240	800	390	334	9.14	9.77	3/4"	3532	-1194.2	168.9	247.8	
GH-270-160/C0	5039	3176	1863	2665	1010	272	300	335	711.2	150	270	936	310	626	164	935.6	510	580	180	250	240	800	390	334	11.94	12.76	3/4"	3562	-1173.8	168.9	248.0	
GH-270-180/C0	5069	3176	1893	2665	1040	272	270	240	711.2	150	270	936	310	626	164	935.6	510	580	180	250	240	800	390	334	18.65	19.94	3/4"	3537	-1187.5	168.9	247.8	
GH-270-200/C0	5045	3176	1869	2665	1016	272	270	240	711.2	150	270	936	310	626	164	935.6	510	580	180	250	240	800	390	334	20.55	21.97	3/4"	3562	-1171.8	168.9	248.0	
GH-270-220/C0	5049	3176	1873	2665	1020	272	290	290	711.2	150	270	936	310	626	164	935.6	510	580	180	250	240	800	390	334	24.66	26.37	1"	3577	-1161.4	168.9	248.1	
GH-270-240/C0	5068	3176	1892	2665	1009	302	420	420	711.2	150	270	936	310	626	164	935.6	510	580	180	250	240	800	390	334	31.48	33.66	3/4"	3752	-1059.4	168.9	249.1	
GH-270-250/C0	5068	3176	1892	2665	1009	302	420	420	711.2	150	270	936	310	626	164	935.6	510	580	180	250	240	800	390	334	29.11	31.12	3/4"	3752	-1059.3	168.9	249.1	
GH-270-260/C0	5031	3176	1855	2665	1002	272	400	400	711.2	150	270	936	310	626	164	935.6	510	580	180	250	240	800	390	334	31.48	33.66	1"	3647	-1119.1	168.9	248.5	
GH-270-280/C0	5031	3176	1855	2665	1002	272	430	430	711.2	150	270	936	310	626	164	935.6	510	580	180	250	240	800	390	334	36.56	39.08	1"	3732	-1068.5	168.9	249.0	
GH-270-300/C0	5011	3176	1835	2665	982	272	420	420	711.2	150	270	936	310	626	164	935.6	510	580	180	250	240	800	390	334	41.97	44.86	3/4"	3667	-1109.1	168.9	248.6	
GH-270-320/C0	5011	3176	1835	2665	982	272	440	440	711.2	150	270	936	310	626	164	935.6	510	580	180	250	240	800	390	334	47.75	51.05	3/4"	3687	-1096.6	168.9	248.7	
GH-270-360/C0	5031	3176	1855	2665	1002	272	530	530	711.2	150	270	936	310	626	164	935.6	510	580	180	250	240	800	390	334	60.43	64.60	1"	3882	-985.9	168.9	249.8	
GH-270-380/C0	5041	3176	1865	2665	1000	284	550	550	711.2	150	270	936	310	626	164	935.6	510	580	180	250	240	800	390	334	67.45	72.10	1"	3892	-974.8	168.9	249.8	
GH-270-400/C0	5041	3176	1865	2665	1000	284	550	550	711.2	150	270	936	310	626	164	935.6	510	580	180	250	240	800	390	334	74.61	79.76	1"	3927	-956.3	168.9	250.0	
GH-270-125/C2	5019	3176	1843	2665	990	272	265	290	711.2	150	270	936	310	626	164	935.6	510	580	180	250	240	800	390	334	7.29	7.79	3/4"	3734	-1272.5	168.9	249.0	
GH-270-140/C2	5019	3176	1843	2665	990	272	265	290	711.2	150	270	936	310	626	164	935.6	510	580	180	250	240	800	390	334	9.14	9.77	3/4"	3789	-1238.0	168.9	249.3	
GH-270-160/C2	5039	3176	1863	2665	1010	272	300	335	711.2	150	270	936	310	626	164	935.6	510	580	180	250	240	800	390	334	11.94	12.76	3/4"	3819	-1218.6	168.9	249.4	
GH-270-180/C2	5069	3176	1893	2665	1040	272	270	240	711.2	150	270	936	310	626	164	935.6	510	580	180	250	240	800	390	334	18.65	19.94	3/4"	3794	-1231.7	168.9	249.3	
GH-270-200/C2	5045	3176	1869	2665	1016	272	270	240	711.2	150	270	936	310	626	164	935.6	510	580	180	250	240	800	390	334	20.55	21.97	3/4"	3819	-1216.8	168.9	249.4	
GH-270-220/C2	5049	3176	1873	2665	1020	272	290	290	711.2	150	270	936	310	626	164	935.6	510	580	180	250	240	800	390	334	24.66	26.37	1"	3834	-1206.8	168.9	249.5	
GH-270-240/C2	5068	3176	1892	2665	1009	302	420	420	711.2	150	270	936	310	626	164	935.6	510	580	180	250	240	800	390	334	31.48	33.66	3/4"	4009	-1109.4	168.9	250.4	
GH-270-250/C2	5068	3176	1892	2665	1009	302	420	420	711.2	150	270	936	310	626	164	935.6	510	580	180	250	240	800	390	334	29.11	31.12	3/4"	4009	-1109.3	168.9	250.4	
GH-270-260/C2	5031	3176	1855	2665	1002	272	400	400	711.2	150	270	936	310	626	164	935.6	510	580	180	250	240	800	390	334	31.48	33.66	1"	3904	-1166.6	168.9	249.9	
GH-270-280/C2	5031	3176	1855	2665	1002	272	430	430	711.2	150	270	936	310	626	164	935.6	510	580	180	250	240	800	390	334	36.56	39.08	1"	3989	-1118.2	168.9	250.3	
GH-270-300/C2	5011	3176	1835	2665	982	272	420	420	711.2	150	270	936	310	626	164	935.6	510	580	180	250	240	800	390	334	41.97	44.86	3/4"	3924	-1156.9	168.9	250.0	
GH-270-320/C2	5011	3176	1835	2665	982	272	440	440	711.2	150	270	936	310	626	164	935.6	510	580	180	250	240	800	390	334	47.75	51.05	3/4"	3944	-1145.0	168.9	250.1	
GH-270-360/C2	5031	3176	1855	2665	1002	272	530	530	711.2	150	270	936	310	626	164	935.6	510	580	180	250	240	800	390	334	60.43	64.60	1"	4139	-1038.9	168.9	251.0	
GH-270-380/C2	5041	3176	1865	2665	1000	284	550	550	711.2	150	270	936	310	626	164	935.6	510	580	180	250	240	800	390	334	67.45	72.10	1"	4149	-1028.4	168.9	251.1	
GH-270-400/C2	5041	3176	1865	2665	1000	284	550	550	711.2	150	270	936	310	626	164	935.6	510	580	180	250	240	800	390	334	74.61	79.76	1"	4184	-1010.5	168.9	251.2	
GH-270-125/C3	5019	3176	1843	2665	990	272	265	290	711.2	150	270	936	310	626	164	935.6	510	580	180	250	240	800	390	334	7.29	7.79	3/4"	3748	-1274.6	168.9	249.1	
GH-270-140/C3	5019	3176	1843	2665	990	272	265	290	711.2	150	270	936	310	626	164	935.6	510	580	180	250	240	800	390	334	9.14	9.77	3/4"	3803	-1240.2	168.9	249.4	
GH-270-160/C3	5039	3176	1863	2665	1010	272	300	335	711.2	150	270	936	310	626	164	935.6	510	580	180	250	240	800	390	334	11.94	12.76	3/4"	3833	-1220.9	168.9	249.5	
GH-270-180/C3	5069	3176	1893	2665	1040	272	270	240	711.2	150	270	936	310	626	164	935.6	510	580	180	250	240	800	390	334	18.65	19.94	3/4"	3808	-1234.0	168.9	249.4	
GH-270-200/C3	5045	3176	1869	2665	1016	272	270	240	711.2	150	270	936	310	626	164	935.6	510	580	180	250	240	800	390	334	20.55	21.97	3/4"	3833	-1219.1	168.9	249.5	
GH-270-220/C3	5049	3176	1873	2665	1020	272	290	290	711.2	150	270	936	310	626	164	935.6	510	580	180	250	240	800	390	334	24.66	26.37	1"	3848	-1209.1	168.9	249.6	
GH-270-240/C3	5068	3176	1892	2665	1009	302	420	420	711.2	150	270	936	310	626	164	935.6	510	580	180	250	240	800	390	334	31.48	33.66	3/4"	4023	-1112.0	168.9	250.5	
GH-270-250/C3	5068	3176	1892	2665	1009	302	420	420	711.2	150	270	936	310	626	164	935.6	510	580	180	250	240	800	390	334	29.11	31.12	3/4"	4023	-1111.9	168.9	250.5	
GH-270-260/C3	5031	3176	1855	2665	1002	272	400	400	711.2	150	270	936	310	626	164	935.6	510	580	180	250	240	800	390	334	31.48	33.66	1"	3918	-1169.0	168.9	250.0	
GH-270-280/C3	5031	3176	1855	2665	1002	272	430	430	711.2	150	270	936	310	626	164	935.6	510	580	180	250	240	800	390	334	36.56	39.08	1"	4003	-1120.7	168.9	250.4	
GH-270-300/C3	5011	3176	1835	2665	982	272	420	420	711.2	150	270	936	310	626	164	935.6	510	580	180	250	240</											



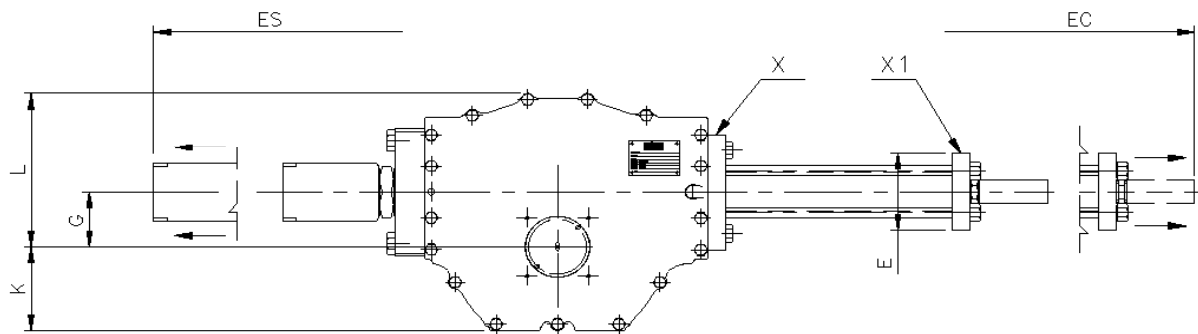
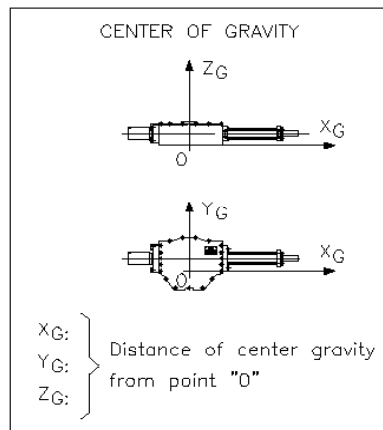
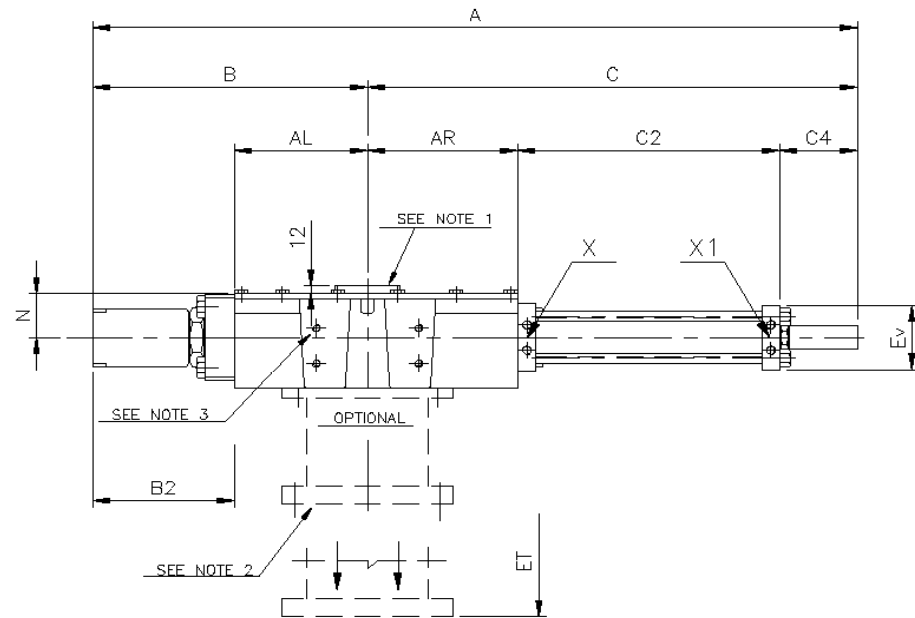
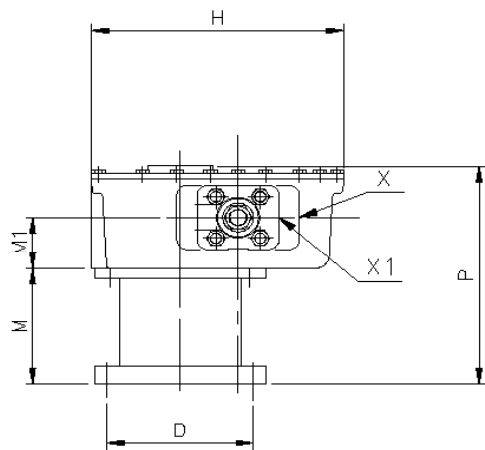
**GH RANGE METRIC DIMENSION DATA  
- SINGLE ACTING - FAIL CLOSE - OGH000ADC REV.2**

ACTUATOR MODEL	ACTUATOR OVERALL DIMENSIONS (mm)															CARTER		SPOOL* (OPTIONAL)			CLEARANCE FOR DISASSEMBLY			DISPLACEMENT (LITRES)		X	weight	CENTER GRAVITY				
	A	B	C	B2	C2	C4	Ev	E	F	F1	G	H	K	L	N	P	AL	AR	M1	M	Weight	ES	EC	ET	Simm.	Canted	( NPT )	( Kg )	XG	ZG	YG	
<b>GH 271 - CARTER CARBON STEEL - FLANGE TYPE ISO F60</b>																																
GH-271-140/C0	5048	3176	1872	2665	1017	274	375	375	711.2	150	270	966	340	626	192	995.6	510	580	210	280	365	800	390	392	9.14	9.77	3/4"	3637	-1153.9	196.3	242.3	
GH-271-160/C0	5048	3176	1872	2665	1017	274	375	375	711.2	150	270	966	340	626	192	995.6	510	580	210	280	365	800	390	392	11.94	12.76	3/4"	3662	-1138.2	196.3	242.5	
GH-271-180/C0	5048	3176	1872	2665	1017	274	375	375	711.2	150	270	966	340	626	192	995.6	510	580	210	280	365	800	390	392	18.65	19.94	3/4"	3637	-1152.6	196.3	242.3	
GH-271-200/C0	5048	3176	1872	2665	1017	274	375	375	711.2	150	270	966	340	626	192	995.6	510	580	210	280	365	800	390	392	20.55	21.97	3/4"	3757	-1080.5	196.3	243.2	
GH-271-220/C0	5044	3176	1868	2665	1015	272	280	280	711.2	150	270	966	340	626	192	995.6	510	580	210	280	365	800	390	392	24.66	26.37	3/4"	3667	-1132.8	196.3	242.5	
GH-271-240/C0	5046	3176	1870	2665	1015	274	375	375	711.2	150	270	966	340	626	192	995.6	510	580	210	280	365	800	390	392	31.48	33.66	3/4"	3847	-1031.1	196.3	243.8	
GH-271-250/C0	5046	3176	1870	2665	1015	274	375	375	711.2	150	270	966	340	626	192	995.6	510	580	210	280	365	800	390	392	29.11	31.12	3/4"	3847	-1031.0	196.3	243.8	
GH-271-260/C0	5046	3176	1870	2665	1015	274	375	375	711.2	150	270	966	340	626	192	995.6	510	580	210	280	365	800	390	392	31.48	33.66	1"	3757	-1079.5	196.3	243.2	
GH-271-280/C0	5033	3176	1857	2665	1002	274	450	450	711.2	150	270	966	340	626	192	995.6	510	580	210	280	365	800	390	392	36.56	39.08	1"	3842	-1032.0	196.3	243.8	
GH-271-300/C0	5033	3176	1857	2665	1002	274	450	450	711.2	150	270	966	340	626	192	995.6	510	580	210	280	365	800	390	392	41.97	44.86	1"	3907	-998.3	196.3	244.2	
GH-271-320/C0	5011	3176	1835	2665	982	272	440	440	711.2	150	270	966	340	626	192	995.6	510	580	210	280	365	800	390	392	47.75	51.05	3/4"	3777	-1070.2	196.3	243.3	
GH-271-340/C0	5033	3176	1857	2665	1002	274	500	500	711.2	150	270	966	340	626	192	995.6	510	580	210	280	365	800	390	392	60.43	64.60	1"	3937	-981.8	196.3	244.4	
GH-271-360/C0	5033	3176	1857	2665	1002	274	530	530	711.2	150	270	966	340	626	192	995.6	510	580	210	280	365	800	390	392	60.43	64.60	1"	3972	-963.3	196.3	244.7	
GH-271-380/C0	5036	3176	1860	2665	995	284	550	550	711.2	150	270	966	340	626	192	995.6	510	580	210	280	365	800	390	392	67.45	72.10	1"	3987	-950.4	196.3	244.7	
GH-271-400/C0	5043	3176	1867	2665	1002	284	550	550	711.2	150	270	966	340	626	192	995.6	510	580	210	280	365	800	390	392	74.61	79.76	1"	4027	-929.4	196.3	245.0	
GH-271-420/C0	5043	3176	1867	2665	1002	284	550	550	711.2	150	270	966	340	626	192	995.6	510	580	210	280	365	800	390	392	82.25	87.93	1"	4067	-908.9	196.3	245.2	
GH-271-520/C0	5083	3176	1907	2665	1042	284	690	690	711.2	150	270	966	340	626	192	995.6	510	580	210	280	365	800	390	392	126.08	134.79	1"	4547	-688.3	196.3	247.9	
GH-271-140/C2	5048	3176	1872	2665	1017	274	375	375	711.2	150	270	966	340	626	192	995.6	510	580	210	280	365	800	390	392	9.14	9.77	3/4"	3887	-1198.0	196.3	244.1	
GH-271-160/C2	5048	3176	1872	2665	1017	274	375	375	711.2	150	270	966	340	626	192	995.6	510	580	210	280	365	800	390	392	11.94	12.76	3/4"	3912	-1183.0	196.3	244.3	
GH-271-180/C2	5048	3176	1872	2665	1017	274	375	375	711.2	150	270	966	340	626	192	995.6	510	580	210	280	365	800	390	392	18.65	19.94	3/4"	3887	-1198.6	196.3	244.1	
GH-271-200/C2	5048	3176	1872	2665	1017	274	375	375	711.2	150	270	966	340	626	192	995.6	510	580	210	280	365	800	390	392	20.55	21.97	3/4"	4007	-1127.9	196.3	244.9	
GH-271-220/C2	5044	3176	1868	2665	1015	272	280	280	711.2	150	270	966	340	626	192	995.6	510	580	210	280	365	800	390	392	24.66	26.37	3/4"	3917	-1177.9	196.3	244.3	
GH-271-240/C2	5046	3176	1870	2665	1015	274	375	375	711.2	150	270	966	340	626	192	995.6	510	580	210	280	365	800	390	392	31.48	33.66	3/4"	4097	-1080.5	196.3	245.4	
GH-271-250/C2	5046	3176	1870	2665	1015	274	375	375	711.2	150	270	966	340	626	192	995.6	510	580	210	280	365	800	390	392	29.11	31.12	3/4"	4097	-1080.3	196.3	245.4	
GH-271-260/C2	5046	3176	1870	2665	1015	274	375	375	711.2	150	270	966	340	626	192	995.6	510	580	210	280	365	800	390	392	31.48	33.66	1"	4007	-1127.0	196.3	244.9	
GH-271-280/C2	5033	3176	1857	2665	1002	274	450	450	711.2	150	270	966	340	626	192	995.6	510	580	210	280	365	800	390	392	36.56	39.08	1"	4092	-1081.4	196.3	245.4	
GH-271-300/C2	5033	3176	1857	2665	1002	274	450	450	711.2	150	270	966	340	626	192	995.6	510	580	210	280	365	800	390	392	41.97	44.86	1"	4157	-1048.9	196.3	245.8	
GH-271-320/C2	5011	3176	1835	2665	982	272	440	440	711.2	150	270	966	340	626	192	995.6	510	580	210	280	365	800	390	392	47.75	51.05	3/4"	4027	-1118.0	196.3	245.0	
GH-271-340/C2	5033	3176	1857	2665	1002	274	500	500	711.2	150	270	966	340	626	192	995.6	510	580	210	280	365	800	390	392	60.43	64.60	1"	4187	-1033.0	196.3	246.0	
GH-271-360/C2	5033	3176	1857	2665	1002	274	530	530	711.2	150	270	966	340	626	192	995.6	510	580	210	280	365	800	390	392	60.43	64.60	1"	4222	-1015.2	196.3	246.2	
GH-271-380/C2	5036	3176	1860	2665	995	284	550	550	711.2	150	270	966	340	626	192	995.6	510	580	210	280	365	800	390	392	67.45	72.10	1"	4237	-1002.8	196.3	246.2	
GH-271-400/C2	5043	3176	1867	2665	1002	284	550	550	711.2	150	270	966	340	626	192	995.6	510	580	210	280	365	800	390	392	74.61	79.76	1"	4277	-982.6	196.3	246.5	
GH-271-420/C2	5043	3176	1867	2665	1002	284	550	550	711.2	150	270	966	340	626	192	995.6	510	580	210	280	365	800	390	392	82.25	87.93	1"	4317	-962.8	196.3	246.7	
GH-271-520/C2	5083	3176	1907	2665	1042	284	690	690	711.2	150	270	966	340	626	192	995.6	510	580	210	280	365	800	390	392	126.08	134.79	1"	4797	-748.2	196.3	249.0	
GH-271-140/C3	5048	3176	1872	2665	1017	274	375	375	711.2	150	270	966	340	626	192	995.6	510	580	210	280	365	800	390	392	9.14	9.77	3/4"	3908	-1201.4	196.3	244.2	
GH-271-160/C3	5048	3176	1872	2665	1017	274	375	375	711.2	150	270	966	340	626	192	995.6	510	580	210	280	365	800	390	392	11.94	12.76	3/4"	3933	-1186.5	196.3	244.4	
GH-271-180/C3	5048	3176	1872	2665	1017	274	375	375	711.2	150	270	966	340	626	192	995.6	510	580	210	280	365	800	390	392	18.65	19.94	3/4"	3908	-1200.3	196.3	244.2	
GH-271-200/C3	5048	3176	1872	2665	1017	274	375	375	711.2	150	270	966	340	626	192	995.6	510	580	210	280	365	800	390	392	20.55	21.97	3/4"	4028	-1131.6	196.3	245.0	
GH-271-220/C3	5044	3176	1868	2665	1015	272	280	280	711.2	150	270	966	340	626	192	995.6	510	580	210	280	365	800	390	392	24.66	26.37	3/4"	3938	-1181.4	196.3	244.4	
GH-271-240/C3	5046	3176	1870	2665	1015	274	375	375	711.2	150	270	966	340	626	192	995.6	510	580	210	280	365	800	390	392	31.48	33.66	3/4"	4118	-1084.3	196.3	245.5	
GH-271-250/C3	5046	3176	1870	2665	1015	274	375	375	711.2	150	270	966	340	626	192	995.6	510	580	210	280	365	800	390	392	29.11	31.12	3/4"	4118	-1084.2	196.3	245.5	
GH-271-260/C3	5046	31																														



**GH RANGE METRIC DIMENSION DATA  
- SINGLE ACTING - FAIL CLOSE - OGH000ADC REV.2**

ACTUATOR MODEL	ACTUATOR OVERALL DIMENSIONS (mm)																CARTER		SPOOL* (OPTIONAL)			CLEARANCE FOR DISASSEMBLY			DISPLACEMENT (LITRES)		X	weight	CENTER GRAVITY		
	A	B	C	B2	C2	C4	Ev	E	F	F1	G	H	K	L	N	P	AL	AR	M1	M	Weight	ES	EC	ET	Simm.	Canted	( NPT )	( Kg )	XG	ZG	YG
GH-2711-140/C6	4999	3127	1872	2616	1017	274	375	375	711.2	150	270	966	340	626	192	995.6	510	580	210	280	365	800	390	392	9.14	9.77	3/4"	4030	-1203.4	196.3	245.0
GH-2711-160/C6	4999	3127	1872	2616	1017	274	375	375	711.2	150	270	966	340	626	192	995.6	510	580	210	280	365	800	390	392	11.94	12.76	3/4"	4055	-1189.0	196.3	245.2
GH-2711-180/C6	4999	3127	1872	2616	1017	274	375	375	711.2	150	270	966	340	626	192	995.6	510	580	210	280	365	800	390	392	18.65	19.94	3/4"	4030	-1202.3	196.3	245.0
GH-2711-200/C6	4999	3127	1872	2616	1017	274	375	375	711.2	150	270	966	340	626	192	995.6	510	580	210	280	365	800	390	392	20.55	21.97	3/4"	4150	-1135.5	196.3	245.7
GH-2711-220/C6	4995	3127	1868	2616	1015	272	280	280	711.2	150	270	966	340	626	192	995.6	510	580	210	280	365	800	390	392	24.66	26.37	3/4"	4060	-1184.0	196.3	245.2
GH-2711-240/C6	4997	3127	1870	2616	1015	274	375	375	711.2	150	270	966	340	626	192	995.6	510	580	210	280	365	800	390	392	31.48	33.66	3/4"	4240	-1089.6	196.3	246.3
GH-2711-250/C6	4997	3127	1870	2616	1015	274	375	375	711.2	150	270	966	340	626	192	995.6	510	580	210	280	365	800	390	392	29.11	31.12	3/4"	4240	-1089.5	196.3	246.3
GH-2711-260/C6	4997	3127	1870	2616	1015	274	375	375	711.2	150	270	966	340	626	192	995.6	510	580	210	280	365	800	390	392	31.48	33.66	3/4"	4150	-1134.7	196.3	245.7
GH-2711-280/C6	4984	3127	1857	2616	1002	274	450	450	711.2	150	270	966	340	626	192	995.6	510	580	210	280	365	800	390	392	36.56	39.08	1"	4235	-1090.5	196.3	246.2
GH-2711-300/C6	4984	3127	1857	2616	1002	274	450	450	711.2	150	270	966	340	626	192	995.6	510	580	210	280	365	800	390	392	41.97	44.86	1"	4300	-1058.9	196.3	246.6
GH-2711-320/C6	4962	3127	1835	2616	982	272	440	440	711.2	150	270	966	340	626	192	995.6	510	580	210	280	365	800	390	392	47.75	51.05	3/4"	4170	-1125.9	196.3	245.9
GH-2711-340/C6	4984	3127	1857	2616	1002	274	500	500	711.2	150	270	966	340	626	192	995.6	510	580	210	280	365	800	390	392	60.43	64.60	1"	4330	-1043.5	196.3	246.7
GH-2711-360/C6	4984	3127	1857	2616	1002	274	530	530	711.2	150	270	966	340	626	192	995.6	510	580	210	280	365	800	390	392	60.43	64.60	1"	4365	-1026.1	196.3	246.9
GH-2711-380/C6	4987	3127	1860	2616	995	284	550	550	711.2	150	270	966	340	626	192	995.6	510	580	210	280	365	800	390	392	67.45	72.10	1"	4380	-1014.2	196.3	247.0
GH-2711-400/C6	4994	3127	1867	2616	1002	284	550	550	711.2	150	270	966	340	626	192	995.6	510	580	210	280	365	800	390	392	74.61	79.76	1"	4420	-994.5	196.3	247.2
GH-2711-420/C6	4994	3127	1867	2616	1002	284	550	550	711.2	150	270	966	340	626	192	995.6	510	580	210	280	365	800	390	392	82.25	87.93	1"	4460	-975.2	196.3	247.4
GH-2711-520/C6	5034	3127	1907	2616	1042	284	690	690	711.2	150	270	966	340	626	192	995.6	510	580	210	280	365	800	390	392	126.08	134.79	1"	4940	-765.6	196.3	249.6
<b>GH 350 - CARTER CARBON STEEL</b>																															
GH-350-160/C0	6434	3741	2693	2920	1338	434	440	440	813	150	350	1277	520	757	364	1316.5	820	920	360	400	790	1280	615	714	15.62	16.54	3/4"	9301	-937.6	340.0	297.8
GH-350-180/C0	6434	3741	2693	2920	1338	434	440	440	813	150	350	1277	520	757	364	1316.5	820	920	360	400	790	1280	615	714	24.40	25.84	3/4"	9351	-923.7	340.0	298.1
GH-350-220/C0	6434	3741	2693	2920	1338	434	440	440	813	150	350	1277	520	757	364	1316.5	820	920	360	400	790	1280	615	714	32.26	34.17	1"	9531	-875.5	340.0	299.1
GH-350-240/C0	6434	3741	2693	2920	1338	434	420	420	813	150	350	1277	520	757	364	1316.5	820	920	360	400	790	1280	615	714	41.18	43.62	1"	9531	-874.9	340.0	299.1
GH-350-260/C0	6542	3741	2801	2920	1446	434	420	420	813	150	350	1277	520	757	364	1316.5	820	920	360	400	790	1280	615	714	41.18	43.62	1"	9791	-803.0	340.0	300.4
GH-350-280/C0	6542	3741	2801	2920	1446	434	450	450	813	150	350	1277	520	757	364	1316.5	820	920	360	400	790	1280	615	714	47.82	50.66	1"	9856	-786.3	340.0	300.7
GH-350-300/C0	6542	3741	2801	2920	1446	434	450	450	813	150	350	1277	520	757	364	1316.5	820	920	360	400	790	1280	615	714	54.90	58.14	1"	9886	-778.2	340.0	300.9
GH-350-320/C0	6542	3741	2801	2920	1446	434	450	450	813	150	350	1277	520	757	364	1316.5	820	920	360	400	790	1280	615	714	62.46	66.16	1"	9801	-798.3	340.0	300.5
GH-350-350/C0	6542	3741	2801	2920	1446	434	450	450	813	150	350	1277	520	757	364	1316.5	820	920	360	400	790	1280	615	714	74.72	79.14	1"	9856	-783.5	340.0	300.7
GH-350-380/C0	6542	3741	2801	2920	1446	434	450	450	813	150	350	1277	520	757	364	1316.5	820	920	360	400	790	1280	615	714	88.23	93.45	1"	10051	-735.2	340.0	301.7
GH-350-400/C0	6542	3741	2801	2920	1446	434	550	550	813	150	350	1277	520	757	364	1316.5	820	920	360	400	790	1280	615	714	97.59	103.37	1"	10106	-721.4	340.0	302.0
GH-350-440/C0	6542	3741	2801	2920	1446	434	550	550	813	150	350	1277	520	757	364	1316.5	820	920	360	400	790	1280	615	714	118.08	125.07	1"	10201	-697.4	340.0	302.4
GH-350-460/C0	6542	3741	2801	2920	1446	434	550	550	813	150	350	1277	520	757	364	1316.5	820	920	360	400	790	1280	615	714	129.06	136.70	1"	10306	-672.6	340.0	302.9
GP-350-520/C0	6544	3741	2803	2920	1448	434	690	690	813	150	350	1277	520	757	364	1316.5	820	920	360	400	790	1280	615	714	164.93	174.69	1"	10611	-602.7	340.0	304.2
GH-350-160/C1	6434	3741	2693	2920	1338	434	440	440	813	150	350	1277	520	757	364	1316.5	820	920	360	400	790	1280	615	714	15.62	16.54	3/4"	9835	-1010.2	340.0	300.6
GH-350-180/C1	6434	3741	2693	2920	1338	434	440	440	813	150	350	1277	520	757	364	1316.5	820	920	360	400	790	1280	615	714	24.40	25.84	3/4"	9885	-996.7	340.0	300.9
GH-350-220/C1	6434	3741	2693	2920	1338	434	440	440	813	150	350	1277	520	757	364	1316.5	820	920	360	400	790	1280	615	714	32.26	34.17	1"	10065	-949.7	340.0	301.8
GH-350-240/C1	6434	3741	2693	2920	1338	434	420	420	813	150	350	1277	520	757	364	1316.5	820	920	360	400	790	1280	615	714	41.18	43.62	1"	10065	-949.1	340.0	301.8
GH-350-260/C1	6542	3741	2801	2920	1446	434	420	420	813	150	350	1277	520	757	364	1316.5	820	920	360	400	790	1280	615	714	41.18	43.62	1"	10325	-879.1	340.0	303.0
GH-350-280/C1	6542	3741	2801	2920	1446	434	450	450	813	150	350	1277	520	757	364	1316.5	820	920	360	400	790	1280	615	714	47.82	50.66	1"	10390	-862.7	340.0	303.3
GH-350-300/C1	6542	3741	2801	2920	1446	434	450	450	813	150	350	1277	520	757	364	1316.5	820	920	360	400	790	1280	615	714	54.90	58.14	1"	10420	-854.9	340.0	303.4
GH-350-320/C1	6542	3741	2801	2920	1446	434	450	450	813	150	350	1277	520	757	364	1316.5	820	920	360	400	790	1280	615	714	62.46	66.16	1"	10335	-874.6	340.0	303.0
GH-350-350/C1	6542	3741	2801	2920	1446	434	450	450	813	150	350	1277	520	757	364	1316.5	820	920	360	400	790	1280	615	714	74.72	79.14	1"	10390	-860.1	340.0	303.3
GH-350-380/C1	6542	3741	2801	2920	1446	434	450	450	813	150	350	1277	520	757	364	1316.5	820	920	360</												



- ③ LIFTING POINT ACTUATOR ONLY
- D ACCORDING TO VALVE FLANGE
- X-X1 HYDRAULIC CONNECTION
- NOTE 3 CONTROL PANEL INTERFACE ACCORDING TO : DWG. GD00198-040
- NOTE 2 COUPLING ACTUATOR INTERFACE ACCORDING TO : DWG. GD00198-030
- NOTE 1 MICROSWITCHES GROUP INTERFACE ACCORDING TO : DWG. GD00220

All dimensions are in mm

**rotork®**  
fluid systems

DOUBLE ACTING HYDRAULIC ACTUATOR  
OVERALL DIMENSIONS

03	22.04.10	BERNINI	BARSOITI
02	08.06.05	BERNINI	BARSOITI
00	24.01.02	BONGOVANNI	FERDENZI
rev.	date	drawn	check
OGH0000ADC			

REPORTED ARE MAXIMUM DIMENSIONS - IT WILL BE CARE OF R.F.S. TO INFORM YOU IN CASE OF ANY DIMENSIONAL INCREASE



**GH RANGE METRIC DIMENSION DATA  
- DOUBLE ACTING - OGH000ADC REV.03**

ACTUATOR MODEL	ACTUATOR OVERALL DIMENSIONS (mm)														CARTER		SPOOL * (OPTIONAL)			CLEARANCE FOR DISASSEMBLY			DISPLACEMENT (LITRES)		X-X1	weight	CENTER GRAVITY		
	A	B	C	B2	C2	C4	Ev	E	G	H	K	L	N	P	AL	AR	M1	M	Weight	ES	EC	ET	Simm	Canted	(NPT)	(Kg)	XG	ZG	YG
<b>GH 065 - CARTER CARBON STEEL - FLANGE TYPE ISO F25</b>																													
GH-065-040/D1	1024	337	687	171	384	112	100	120	65	341	145	196	70	290	165	190	80	140	33	160	130	140	0.18	0.19	1/4"	78	68.7	73.0	41.7
GH-065-045/D1	1024	337	687	171	384	112	106	134	65	341	145	196	70	290	165	190	80	140	33	160	130	140	0.23	0.24	1/4"	79	72.6	73.0	42.0
GH-065-050/D1	1024	337	687	171	384	112	106	134	65	341	145	196	70	290	165	190	80	140	33	160	130	140	0.28	0.30	1/4"	79	73.2	73.0	42.0
GH-065-060/D1	1024	337	687	171	384	112	110	110	65	341	145	196	70	290	165	190	80	140	33	160	130	140	0.40	0.43	1/2"	83	88.5	73.0	43.1
GH-065-070/D1	1029	337	692	171	384	117	135	135	65	341	145	196	70	290	165	190	80	140	33	160	130	140	0.55	0.59	1/2"	91	115.1	73.0	45.1
GH-065-080/D1	1024	337	687	171	384	112	116	116	65	341	145	196	70	290	165	190	80	140	33	160	130	140	0.72	0.76	1/2"	87	104.0	73.0	44.1
GH-065-090/D1	1033	337	696	171	388	117	130	115	65	341	145	196	70	290	165	190	80	140	33	160	130	140	0.91	0.97	1/2"	91	117.9	73.0	45.1
GH-065-100/D1	1049	337	712	171	384	137	130	130	65	341	145	196	70	290	165	190	80	140	33	160	150	140	1.12	1.19	1/2"	91	118.3	73.0	45.1
GH-065-110/D1	1078	337	741	171	413	137	160	145	65	341	145	196	70	300	165	190	80	140	33	160	150	140	1.36	1.44	1/2"	108	163.9	73.0	47.9
GH-065-125/D1	1080	337	743	171	415	137	180	175	65	341	145	196	70	310	165	190	80	140	33	160	150	140	1.75	1.87	1/2"	108	170.5	73.0	48.2
GH-065-140/D1	1085	337	748	171	420	137	220	170	65	341	145	196	70	330	165	190	80	140	33	160	150	140	2.20	2.34	1/2"	127	207.3	73.0	50.7
GH-065-160/D1	1080	337	743	171	415	137	220	190	65	341	145	196	70	330	165	190	80	140	33	160	150	140	2.87	3.06	3/4"	133	217.5	73.0	51.4
GH-065-180/D1	1152	337	815	171	466	158	220	240	65	341	145	196	70	330	165	190	80	140	33	160	160	140	3.64	3.87	3/4"	154	261.7	73.0	53.2
GH-065-200/D1	1131	337	794	171	466	137	240	240	65	341	145	196	70	340	165	190	80	140	33	160	160	140	4.49	4.77	3/4"	164	282.8	73.0	53.9
<b>GH 085 - CARTER CAST IRON - FLANGE TYPE ISO F25</b>																													
GH-085-040/D1	1084	367	717	171	384	112	100	120	65	370	130	240	70	290	195	220	80	140	33	160	150	140	0.23	0.25	1/4"	103	53.8	74.0	58.6
GH-085-045/D1	1084	367	717	171	384	112	106	134	65	370	130	240	70	290	195	220	80	140	33	160	150	140	0.30	0.32	1/4"	104	57.6	74.0	58.8
GH-085-050/D1	1084	367	717	171	384	112	106	134	65	370	130	240	70	290	195	220	80	140	33	160	150	140	0.37	0.39	1/4"	104	58.9	74.0	58.8
GH-085-060/D1	1084	367	717	171	384	112	110	110	65	370	130	240	70	290	195	220	80	140	33	160	150	140	0.53	0.57	1/2"	108	73.1	74.0	59.8
GH-085-070/D1	1089	367	722	171	384	117	135	135	65	370	130	240	70	290	195	220	80	140	33	160	150	140	0.72	0.77	1/2"	116	97.4	74.0	61.6
GH-085-080/D1	1084	367	717	171	384	112	116	116	65	370	130	240	70	290	195	220	80	140	33	160	150	140	0.94	1.01	1/2"	112	87.8	74.0	60.7
GH-085-090/D1	1093	367	726	171	388	117	130	115	65	370	130	240	70	290	195	220	80	140	33	160	150	140	1.19	1.27	1/2"	116	100.4	74.0	61.6
GH-085-100/D1	1109	367	742	171	384	137	130	130	65	370	130	240	70	290	195	220	80	140	33	160	150	140	1.47	1.57	1/2"	116	96.4	74.0	61.6
GH-085-110/D1	1138	367	771	171	413	137	160	145	65	370	130	240	70	300	195	220	80	140	33	160	150	140	1.78	1.90	1/2"	131	134.0	74.0	64.2
GH-085-125/D1	1140	367	773	171	415	137	180	175	65	370	130	240	70	310	195	220	80	140	33	160	150	140	2.29	2.45	1/2"	133	141.4	74.0	64.5
GH-085-140/D1	1145	367	778	171	420	137	220	170	65	370	130	240	70	330	195	220	80	140	33	160	150	140	2.88	3.08	1/2"	152	176.6	74.0	67.1
GH-085-160/D1	1140	367	773	171	415	137	220	190	65	370	130	240	70	330	195	220	80	140	33	160	150	140	3.76	4.02	3/4"	158	189.1	74.0	67.8
GH-085-180/D1	1212	367	845	171	466	158	220	240	65	370	130	240	70	330	195	220	80	140	33	160	160	140	4.76	5.09	3/4"	179	218.8	74.0	69.8
GH-085-200/D1	1191	367	824	171	466	137	240	240	65	370	130	240	70	340	195	220	80	140	33	160	160	140	5.87	6.28	3/4"	416	239.0	74.0	70.6
<b>GH 100 - CARTER CARBON STEEL - FLANGE TYPE ISO F25</b>																													
GH-100-060/D1	1364	434	930	208	527	147	120	120	100	432	160	272	84	317	225	255	93	140	33	220	170	167	0.62	0.67	1/2"	137	121.9	86.7	74.5
GH-100-070/D1	1364	434	930	208	527	147	135	135	100	432	160	272	84	317	225	255	93	140	33	220	170	167	0.85	0.90	1/2"	142	136.5	86.7	75.4
GH-100-080/D1	1363	434	929	208	526	147	140	140	100	432	160	272	84	317	225	255	93	140	33	220	170	167	1.11	1.18	1/2"	148	152.5	86.7	76.4
GH-100-090/D1	1364	434	930	208	527	147	140	140	100	432	160	272	84	317	225	255	93	140	33	220	170	167	1.40	1.49	1/2"	148	153.6	86.7	76.4
GH-100-100/D1	1364	434	930	208	527	147	160	150	100	432	160	272	84	317	225	255	93	140	33	220	170	167	1.73	1.84	1/2"	145	147.0	86.7	75.0
GH-100-110/D1	1364	434	930	208	527	147	160	145	100	432	160	272	84	317	225	255	93	140	33	220	170	167	2.09	2.23	1/2"	146	151.3	86.7	76.1
GH-100-115/D1	1364	434	930	208	527	147	160	160	100	432	160	272	84	317	225	255	93	140	33	220	170	167	2.28	2.44	1/2"	150	161.0	86.7	76.8
GH-100-125/D1	1364	434	930	208	527	147	185	165	100	432	160	272	84	326	225	255	93	140	33	220	170	167	2.70	2.88	1/2"	156	176.2	86.7	77.6
GH-100-140/D1	1364	434	930	208	527	147	220	170	100	432	160	272	84	343	225	255	93	140	33	220	170	167	3.39	3.62	1/2"	169	203.8	86.7	79.4
GH-100-160/D1	1430	434	996	208	573	167	195	195	100	432	160	272	84	331	225	255	93	140	33	220	170	167	4.42	4.72	3/4"	170	219.2	86.7	79.5
GH-100-180/D1	1493	434	1059	208	636	167	260	260	100	432	160	272	84	363	225	255	93	140	33	220	170	167	5.60	5.98	3/4"	248	351.1	86.7	85.9
GH-100-200/D1	1453	434	1019	208	626	137	240	240	100	432	160	272	84	353	225	255	93	140	33	220	170	167	6.91	7.38	3/4"	232	338.0	86.7	85.0
GH-100-210/D1	1483	434	1049	208	626	167	255	255	100	432	160	272	84	361	225	255	93	140	33	220	170	167	7.61	8.13	3/4"	252	359.8	86.7	86.2
GH-100-220/D1	1506	434	1072	208	625	191	275	275	100	432	160	272	84	371	225	255	93	140	33	220	200	167	8.36	8.93	3/4"	288	387.5	86.7	87.9
GH-100-240/D1	1506	434	1072	208	625	191	275	300	100	432	160	272	84	371	225	255	93	140	33	220	200	167	9.95	10.63	3/4"	293	395.8	86.7	88.1
GH-100-260/D1	1506	434	1072	208	625	191	275	300	100	432	160	272	84	371	225	255	93	140	33	220	200	167	11.66	12.46	1"	313	411.7	86.7	88.9
<b>GH 130 - CARTER CAST IRON - FLANGE TYPE ISO F30</b>																													
GH-130-060/D1	1461	480	981	208	527	147	120	120	130	517.0	161.5	355.5	99	362	271	306	113	150	50	220	205	202	0.81	0.86	1/2"	157	86.6	106.0	105.1
GH-130-070/D1	1461	480	981	208	527	147	135	135	130	517.0	161.5	355.5	99	362	271	306	113	150	50	220	205	202	1.10	1.17					



**GH RANGE METRIC DIMENSION DATA  
- DOUBLE ACTING - OGH000ADC REV.03**

ACTUATOR MODEL	ACTUATOR OVERALL DIMENSIONS (mm)														CARTER		SPOOL * (OPTIONAL)			CLEARANCE FOR DISASSEMBLY			DISPLACEMENT (LITRES)		X-X1	weight	CENTER GRAVITY		
	A	B	C	B2	C2	C4	Ev	E	G	H	K	L	N	P	AL	AR	M1	M	Weight	ES	EC	ET	Simm	Canted	(NPT)	(Kg)	XG	ZG	YG
<b>GH 160 - CARTER CARBON STEEL - FLANGE TYPE ISO F35</b>																													
GH-160-070/D1	1646	524	1122	183	594	147	136	135	160	658	240	418	105	382	340	380	127	150	80	220	255	222	1.36	1.45	1/2"	288	106.0	113.9	110.7
GH-160-080/D1	1645	524	1121	183	593	147	140	140	160	658	240	418	105	382	340	380	127	150	80	220	255	222	1.77	1.89	1/2"	292	114.2	113.9	111.4
GH-160-090/D1	1676	524	1152	183	624	147	150	150	160	658	240	418	105	382	340	380	127	150	80	220	255	222	2.24	2.39	1/2"	304	140.4	113.9	113.3
GH-160-100/D1	1697	524	1173	183	625	167	180	160	160	658	240	418	105	382	340	380	127	150	80	220	255	222	2.76	2.95	1/2"	319	166.8	113.9	115.5
GH-160-110/D1	1663	524	1139	183	611	147	180	160	160	658	240	418	105	382	340	380	127	150	80	220	255	222	3.34	3.57	1/2"	308	148.4	113.9	113.9
GH-160-115/D1	1663	524	1139	183	611	147	160	160	160	658	240	418	105	382	340	380	127	150	80	220	255	222	3.65	3.90	1/2"	300	134.7	113.9	112.7
GH-160-125/D1	1683	524	1159	183	611	167	160	160	160	658	240	418	105	382	340	380	127	150	80	220	255	222	4.32	4.61	1/2"	301	137.5	113.9	112.9
GH-160-140/D1	1663	524	1139	183	611	147	220	170	160	658	240	418	105	387	340	380	127	150	80	220	255	222	5.42	5.79	1/2"	323	176.5	113.9	116.1
GH-160-160/D1	1724	524	1200	183	628	191	235	185	160	658	240	418	105	395	340	380	127	150	80	220	255	222	7.08	7.56	3/4"	331	196.3	113.9	117.1
GH-160-180/D1	1792	524	1268	183	696	191	340	340	160	658	240	418	105	447	340	380	127	150	80	220	255	222	8.95	9.57	3/4"	426	327.6	113.9	126.7
GH-160-200/D1	1762	524	1238	183	696	161	340	340	160	658	240	418	105	447	340	380	127	150	80	220	255	222	11.05	11.81	3/4"	433	337.2	113.9	127.2
GH-160-210/D1	1781	524	1257	183	696	180	265	265	160	658	240	418	105	410	340	380	127	150	80	220	255	222	12.18	13.01	3/4"	426	333.3	113.9	126.7
GH-160-220/D1	1792	524	1268	183	696	191	265	265	160	658	240	418	105	410	340	380	127	150	80	220	255	222	13.38	14.29	3/4"	411	320.6	113.9	125.5
GH-160-230/D1	1789	524	1265	183	693	191	370	370	160	658	240	418	105	462	340	380	127	150	80	220	255	222	14.62	15.61	3/4"	478	378.0	113.9	130.3
GH-160-240/D1	1789	524	1265	183	693	191	370	370	160	658	240	418	105	462	340	380	127	150	80	220	255	222	15.92	17.00	3/4"	508	400.5	113.9	132.1
GH-160-260/D1	1791	524	1267	183	693	193	420	420	160	658	240	418	105	487	340	380	127	150	80	220	255	222	18.66	19.93	1"	538	422.4	113.9	133.6
<b>GH 161 - CARTER CARBON STEEL - FLANGE TYPE ISO F40</b>																													
GH-161-070/D1	1646	524	1122	183	594	147	136	135	160	661	240	421	145	445	340	380	150	150	80	220	255	285	1.36	1.45	1/2"	368	85.3	136.3	107.4
GH-161-080/D1	1645	524	1121	183	593	147	140	140	160	661	240	421	145	445	340	380	150	150	80	220	255	285	1.77	1.89	1/2"	372	91.9	136.3	108.0
GH-161-090/D1	1676	524	1152	183	624	147	150	150	160	661	240	421	145	445	340	380	150	150	80	220	255	285	2.24	2.39	1/2"	384	113.4	136.3	109.6
GH-161-100/D1	1697	524	1173	183	625	167	180	160	160	661	240	421	145	445	340	380	150	150	80	220	255	285	2.76	2.95	1/2"	399	135.6	136.3	111.5
GH-161-110/D1	1663	524	1139	183	611	147	180	160	160	661	240	421	145	445	340	380	150	150	80	220	255	285	3.34	3.57	1/2"	388	120.0	136.3	110.1
GH-161-115/D1	1663	524	1139	183	611	147	160	160	160	661	240	421	145	445	340	380	150	150	80	220	255	285	3.65	3.90	1/2"	380	108.6	136.3	109.1
GH-161-125/D1	1683	524	1159	183	611	167	160	160	160	661	240	421	145	445	340	380	150	150	80	220	255	285	4.32	4.61	1/2"	381	110.9	136.3	109.2
GH-161-140/D1	1663	524	1139	183	611	147	220	170	160	661	240	421	145	445	340	380	150	150	80	220	255	285	5.42	5.79	1/2"	403	143.6	136.3	112.0
GH-161-160/D1	1724	524	1200	183	628	191	235	185	160	661	240	421	145	445	340	380	150	150	80	220	255	285	7.08	7.56	3/4"	411	160.3	136.3	112.9
GH-161-180/D1	1792	524	1268	183	696	191	340	340	160	661	240	421	145	470	340	380	150	150	80	220	255	285	8.95	9.57	3/4"	506	267.7	136.3	121.8
GH-161-200/D1	1762	524	1238	183	696	161	340	340	160	661	240	421	145	445	340	380	150	150	80	220	255	285	11.05	11.81	3/4"	513	286.5	136.3	122.3
GH-161-210/D1	1781	524	1257	183	696	180	265	265	160	661	240	421	145	445	340	380	150	150	80	220	255	285	12.18	13.01	3/4"	506	282.4	136.3	121.8
GH-161-220/D1	1792	524	1268	183	696	191	265	265	160	661	240	421	145	445	340	380	150	150	80	220	255	285	13.38	14.29	3/4"	491	270.3	136.3	120.6
GH-161-230/D1	1789	524	1265	183	693	191	370	370	160	661	240	421	145	485	340	380	150	150	80	220	255	285	14.62	15.61	3/4"	558	325.5	136.3	125.3
GH-161-240/D1	1792	524	1268	183	696	191	265	265	160	661	240	421	145	445	340	380	150	150	80	220	255	285	15.92	17.00	3/4"	588	347.6	136.3	127.1
GH-161-260/D1	1791	524	1267	183	693	193	420	420	160	661	240	421	145	510	340	380	150	150	80	220	255	285	18.66	19.93	1"	618	369.3	136.3	128.7
<b>GH 200 - CARTER CARBON STEEL - FLANGE TYPE ISO F40</b>																													
GH-200-090/D1	2094	675	1419	249	731	212	150	150	200	585	280	305	128	481	425	475	153	200	165	280	320	271	2.80	2.99	1/2"	535	122.8	137.9	134.9
GH-200-100/D1	2117	675	1442	249	752	214	190	190	200	585	280	305	128	481	425	475	153	200	165	280	320	271	3.45	3.69	1/2"	565	163.1	137.9	138.4
GH-200-110/D1	2115	675	1440	249	752	212	190	190	200	585	280	305	128	481	425	475	153	200	165	280	320	271	4.18	4.47	1/2"	557	154.0	137.9	137.5
GH-200-125/D1	2117	675	1442	249	768	198	210	210	200	585	280	305	128	481	425	475	153	200	165	280	320	271	5.40	5.77	1/2"	592	200.1	137.9	141.2
GH-200-140/D1	2117	675	1442	249	768	198	260	290	200	585	280	305	128	483	425	475	153	200	165	280	320	271	6.77	7.23	1/2"	645	255.3	137.9	146.0
GH-200-160/D1	2162	675	1487	249	813	198	340	340	200	585	280	305	128	523	425	475	153	200	165	280	320	271	8.84	9.45	3/4"	695	307.5	137.9	149.9
GH-200-170/D1	2157	675	1482	249	808	198	340	340	200	585	280	305	128	523	425	475	153	200	165	280	320	271	11.19	11.96	3/4"	680	294.9	137.9	148.8
GH-200-180/D1	2157	675	1482	249	808	198	340	340	200	585	280	305	128	523	425	475	153	200	165	280	320	271	13.82	14.76	3/4"	680	296.1	137.9	148.8
GH-200-200/D1	2233	675	1558	249	850	232	270	240	200	585	280	305	128	488	425	475	153	200	165	280	320	271	15.22	16.26	3/4"	680	311.2	137.9	148.8
GH-200-210/D1	2191	675	1516	249	808	232	365	365	200	585	280	305	128	536	425	475	153	200	165	280	320	271	16.72	17.86	3/4"	750	353.9	137.9	153.6
GH-200-220/D1	2156	675	1481	249	808	197	340	340	200	585	280	305	128	523	425	475	153	200	165	280	320	271	18.27	19.51	3/4"	700	317.7	137.9	150.2
GH-200-230/D1	2156	675	1481	249	808	197	370	370	200	585	280	305	128	538	425	475	153	200	165	280	320	271	19.90	21.25	3/4"	725	338.1	137.9	152.0
GH-200-240/D1	2219	675	1543	249	835	232	420	420	200	585	280	305	128	563	425	475	153	200	165	280	320	271	23.32	24.91	3/4				





**GH RANGE METRIC DIMENSION DATA  
- DOUBLE ACTING - OGH000ADC REV.03**

ACTUATOR MODEL	ACTUATOR OVERALL DIMENSIONS (mm)														CARTER		SPOOL * (OPTIONAL)			CLEARANCE FOR DISASSEMBLY			DISPLACEMENT (LITRES)		X-X1 (NPT)	weight (Kg)	CENTER GRAVITY		
	A	B	C	B2	C2	C4	Ev	E	G	H	K	L	N	P	AL	AR	M1	M	Weight	ES	EC	ET	Simm	Canted			XG	ZG	YG
<b>GH 201 - CARTER CARBON STEEL - FLANGE TYPE ISO F40</b>																													
GH-201*090*/D1	2094	675	1419	249	731	212	150	150	200	615	280	335	149	512	425	475	163	200	165	280	320	302	2.80	2.99	1/2"	705	96.4	147.8	142.6
GH-201*100*/D1	2117	675	1442	249	752	214	190	190	200	615	280	335	149	512	425	475	163	200	165	280	320	302	3.45	3.69	1/2"	735	128.5	147.8	144.9
GH-201*110*/D1	2115	675	1440	249	752	212	190	190	200	615	280	335	149	512	425	475	163	200	165	280	320	302	4.18	4.47	1/2"	727	121.2	147.8	144.3
GH-201*125*/D1	2117	675	1442	249	788	198	210	210	200	615	280	335	149	512	425	475	163	200	165	280	320	302	5.40	5.77	1/2"	762	158.5	147.8	146.9
GH-201*140*/D1	2117	675	1442	249	788	198	260	290	200	615	280	335	149	512	425	475	163	200	165	280	320	302	6.77	7.23	1/2"	815	205.0	147.8	150.3
GH-201*160*/D1	2162	675	1487	249	813	198	340	340	200	615	280	335	149	533	425	475	163	200	165	280	320	302	8.84	9.45	3/4"	865	249.8	147.8	153.2
GH-201*170*/D1	2157	675	1482	249	808	198	340	340	200	615	280	335	149	533	425	475	163	200	165	280	320	302	11.19	11.96	3/4"	850	238.7	147.8	152.4
GH-201*180*/D1	2157	675	1482	249	808	198	340	340	200	615	280	335	149	533	425	475	163	200	165	280	320	302	13.82	14.76	3/4"	850	239.7	147.8	152.4
GH-201*200*/D1	2233	675	1558	249	850	232	270	240	200	615	280	335	149	512	425	475	163	200	165	280	320	302	15.22	16.26	3/4"	850	251.8	147.8	152.4
GH-201*210*/D1	2191	675	1516	249	808	232	365	365	200	615	280	335	149	546	425	475	163	200	165	280	320	302	16.72	17.86	3/4"	820	291.1	147.8	156.0
GH-201*220*/D1	2156	675	1481	249	808	197	340	340	200	615	280	335	149	533	425	475	163	200	165	280	320	302	18.27	19.51	3/4"	870	258.4	147.8	153.4
GH-201*230*/D1	2156	675	1481	249	808	197	370	370	200	615	280	335	149	548	425	475	163	200	165	280	320	302	19.90	21.25	3/4"	895	276.6	147.8	154.7
GH-201*240*/D1	2218	675	1543	249	835	232	420	420	200	615	280	335	149	573	425	475	163	200	165	280	320	302	23.32	24.91	3/4"	1025	355.5	147.8	160.5
GH-201*250*/D1	2231	675	1556	249	808	272	420	420	200	615	280	335	149	573	425	475	163	200	165	280	320	302	21.56	23.03	1"	920	295.5	147.8	156.0
GH-201*260*/D1	2231	675	1556	249	808	272	420	420	200	615	280	335	149	573	425	475	163	200	165	280	320	302	23.32	24.91	1"	965	323.8	147.8	158.0
GH-201*280*/D1	2231	675	1556	249	808	272	430	430	200	615	280	335	149	578	425	475	163	200	165	280	320	302	27.08	28.93	1"	1020	355.6	147.8	160.3
GH-201*300*/D1	2191	675	1516	249	808	232	420	420	200	615	280	335	149	573	425	475	163	200	165	280	320	302	31.09	33.21	3/4"	985	339.9	147.8	158.9
GH-201*320*/D1	2156	675	1481	249	808	197	470	470	200	615	280	335	149	598	425	475	163	200	165	280	320	302	35.37	37.78	3/4"	1060	380.5	147.8	161.8
GH-201*340*/D1	2149	675	1474	249	801	197	500	500	200	615	280	335	149	613	425	475	163	200	165	280	320	302	39.91	42.63	1"	1065	383.8	147.8	162.0
GH-201*360*/D1	2149	675	1474	249	801	197	500	500	200	615	280	335	149	613	425	475	163	200	165	280	320	302	44.76	47.81	1"	1175	432.4	147.8	165.5
GH-201*380*/D1	2149	675	1474	249	801	197	500	500	200	615	280	335	149	613	425	475	163	200	165	280	320	302	49.96	53.37	1"	1185	438.8	147.8	165.8
<b>GH 270 - CARTER CARBON STEEL - FLANGE TYPE ISO F48</b>																													
GH-270*125*/D1	2646	803	1843	292	990	272	265	290	270	682	310	372	164	594	510	580	180	250	240	310	390	334	7.29	7.79	3/4"	1090	182.8	168.9	198.0
GH-270*140*/D1	2646	803	1843	292	990	272	265	290	270	682	310	372	164	594	510	580	180	250	240	310	390	334	9.14	9.77	3/4"	1145	226.8	168.9	201.5
GH-270*160*/D1	2666	803	1863	292	1010	272	300	335	270	682	310	372	164	594	510	580	180	250	240	310	390	334	11.94	12.76	3/4"	1175	252.2	168.9	203.2
GH-270*180*/D1	2696	803	1893	292	1040	272	270	240	270	682	310	372	164	594	510	580	180	250	240	310	390	334	16.65	19.94	3/4"	1150	241.0	168.9	201.8
GH-270*200*/D1	2672	803	1869	292	1016	272	270	240	270	682	310	372	164	594	510	580	180	250	240	310	390	334	20.55	21.97	3/4"	1175	258.2	168.9	203.2
GH-270*220*/D1	2676	803	1873	292	1020	272	290	290	270	682	310	372	164	594	510	580	180	250	240	310	390	334	24.66	26.37	1"	1190	271.6	168.9	204.0
GH-270*240*/D1	2695	803	1892	292	1009	302	420	420	270	682	310	372	164	640	510	580	180	250	240	310	390	334	31.48	33.66	3/4"	1365	368.1	168.9	212.5
GH-270*250*/D1	2695	803	1892	292	1009	302	420	420	270	682	310	372	164	640	510	580	180	250	240	310	390	334	29.11	31.12	3/4"	1365	368.5	168.9	212.5
GH-270*260*/D1	2658	803	1855	292	1002	272	400	400	270	682	310	372	164	630	510	580	180	250	240	310	390	334	31.48	33.66	1"	1260	314.3	168.9	207.7
GH-270*280*/D1	2658	803	1855	292	1002	272	430	430	270	682	310	372	164	645	510	580	180	250	240	310	390	334	36.56	39.08	1"	1345	364.0	168.9	211.6
GH-270*300*/D1	2638	803	1835	292	982	272	420	420	270	682	310	372	164	640	510	580	180	250	240	310	390	334	41.97	44.86	3/4"	1280	320.7	168.9	206.7
GH-270*320*/D1	2638	803	1835	292	982	272	440	440	270	682	310	372	164	650	510	580	180	250	240	310	390	334	47.75	51.05	3/4"	1300	334.0	168.9	209.6
GH-270*360*/D1	2658	803	1855	292	1002	272	530	530	270	682	310	372	164	695	510	580	180	250	240	310	390	334	60.43	64.60	1"	1495	434.9	168.9	217.5
GH-270*380*/D1	2668	803	1865	292	1000	284	550	550	270	682	310	372	164	705	510	580	180	250	240	310	390	334	67.45	72.10	1"	1505	454.2	168.9	217.8
GH-270*400*/D1	2668	803	1865	292	1000	284	550	550	270	682	310	372	164	705	510	580	180	250	240	310	390	334	74.61	79.76	1"	1540	468.9	168.9	219.0
<b>GH 271 - CARTER CARBON STEEL - FLANGE TYPE ISO F60</b>																													
GH-271*140*/D1	2675	803	1872	292	1017	274	375	375	270	712	340	372	192	682	510	580	210	280	365	310	390	392	9.14	9.77	3/4"	1250	225.3	196.3	189.5
GH-271*160*/D1	2675	803	1872	292	1017	274	375	375	270	712	340	372	192	682	510	580	210	280	365	310	390	392	11.94	12.76	3/4"	1275	243.2	196.3	191.0
GH-271*180*/D1	2675	803	1872	292	1017	274	375	375	270	712	340	372	192	682	510	580	210	280	365	310	390	392	18.65	19.94	3/4"	1250	228.9	196.3	189.5
GH-271*200*/D1	2675	803	1872	292	1017	274	375	375	270	712	340	372	192	682	510	580	210	280	365	310	390	392	20.55	21.97	3/4"	1370	305.6	196.3	196.5
GH-271*220*/D1	2671	803	1869	292	1015	272	280	280	270	712	340	372	192	682	510	580	210	280	365	310	390	392	24.66	26.37	3/4"	1280	253.3	196.3	191.3
GH-271*240*/D1	2673	803	1870	292	1015	274	375	375	270	712	340	372	192	682	510	580	210	280	365	310	390	392	31.48	33.66	3/4"	1460	350.3	196.3	201.0
GH-271*250*/D1	2673	803	1870	292	1015	274	375	375	270	712	340	372	192	682	510	580	210	280	365	310	390	392	29.11	31.12	3/4"	1460	350.6	196.3	201.0
GH-271*260*/D1	2673	803	1870	292	1015	274	375	375	270	712	340	372	192	682	510	580	210	280	365	310	390	392	31.48	33.66	1"	1370	308.2	196.3	196.5
GH-271*280*/D1	2660	803	1857	292	1002	274	450	450	2																				