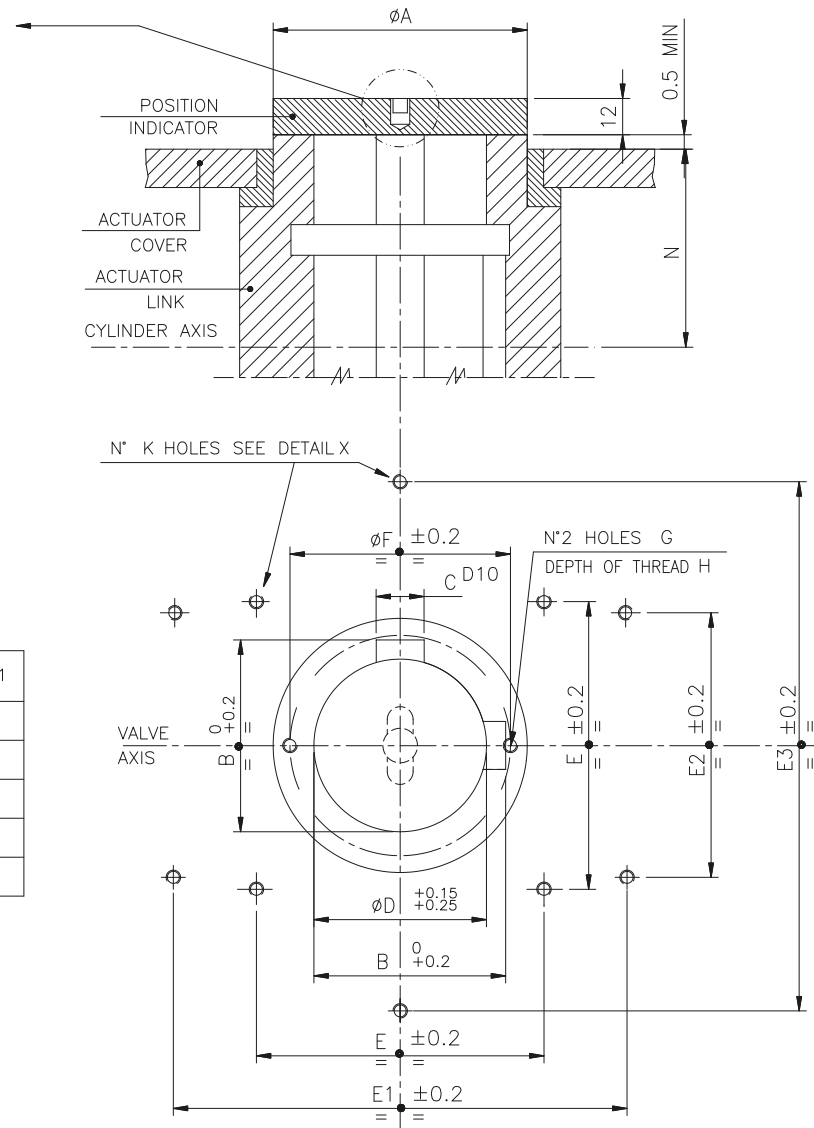
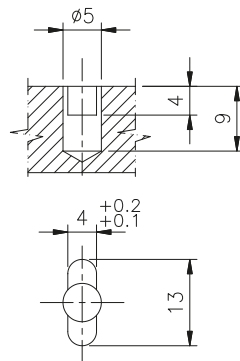


SLOT PARTICULAR FOR LIMITSWITCHES BOX COUPLING



ACTUATOR TYPE	ϕA	B	C	ϕD	E	E1	E2	E3	ϕF	G	H	K	ϕL	ϕL_1	M	M1
RP-RH-GO 015	35	22.8	6	20	49.5	--	--	--	28	M3	7	4	M6	6.5	11	3
RP-RH-GO 030	54	38.3	10	35	67.9	--	--	--	46	M4	8	4	M6	6.5	19	6
RP-RH-GO 060	64	43.3	12	40	76.4	--	--	--	54	M5	10	4	M6	6.5	19	6
RP-RH-GO 120	78	53.8	14	50	--	109.1	63	126	66	M6	12	6	M6	6.5	21	6
RP-RH-GO 240	95	69.4	18	65	--	142	82	164	83	M6	12	6	M8	8.5	22	6

THE SLOTS OF THE KEY ARE SHOWN WITH THE ACTUATOR IN CLOSED POSITION

* FOR THE MODELS WITH 6 HOLES IT IS POSSIBLE TO USE 3 HOLES ONLY AT 120°

rotork
Fluid Systems

COUPLING DIMENSIONS
FOR MICROSWITCHES ENCLOSURE

01	14.07.05	BERNINI	BARSAOTTI
00	27.09.95	Camoni	Barilli
rev.	date	drawn	check
GD00227			