

ExMax ¼ turn actuators – size M

ExMax - ... - BF
ExMax - ... - CTM
ExMax - ... - VAM

Subject to change!

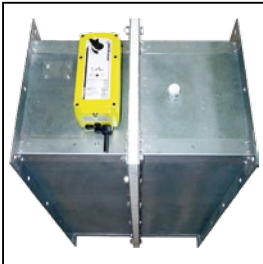
Electrical, explosion proof rotary actuators with integrated Ex-i tripping circuit for safety temperature trigger ExPro-TT
 On-off / 3-pos. control mode, 24...240 VAC/DC, 95° angle of rotation incl. 5° pretension
 30 – 50 – 60 Nm with safety operation (spring return)
 ATEX tested in acc. with directive 2014/34/EU for zone 1, 2, 21, 22

Compact. Easy installation. Universal. Cost effective. Safe.

Type	Torque	Supply	Motor running time	Spring return	Control mode	Feedback	Wiring diagram
ExMax- 30 - BF	30 Nm	24...240 VAC/DC	40 / 60 / 90 / 120 / 150 s/90°	~ 20 s/90°	On-off, 3-pos.	2 × aux. switches + Ex-i tripping circuit	SB 7.2/7.3
ExMax- 50 - BF	50 Nm	24...240 VAC/DC	40 / 60 / 90 / 120 / 150 s/90°	~ 20 s/90°	On-off, 3-pos.	2 × aux. switches + Ex-i tripping circuit	SB 7.2/7.3
ExMax- 60 - BF	60 Nm	24...240 VAC/DC	40 / 60 / 90 / 120 s/90°	~ 20 s/90°	On-off, 3-pos.	2 × aux. switches + Ex-i tripping circuit	SB 7.2/7.3
ExMax- ... - CTM	Types as above with aluminium housing and seawater resistant coating (cable glands brass nickel-plated)						
ExMax- ... - VAM	Types as above with stainless steel housing for aggressive ambient (cable glands brass nickel-plated)						

Product views and applications

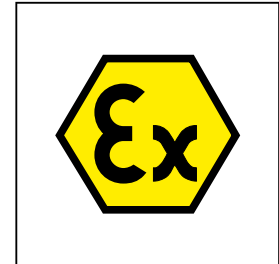
Fire damper



Ball valve



Throttle valve



Description

The ExMax actuators are a revolution for safety, fire and shut-off dampers, VAV systems, ball valves, throttle valves and other motorized applications for HVAC systems in chemical, pharmaceutical, industrial and offshore/onshore plants, for use in Ex-areas zone 1, 2 (gas) and zone 21, 22 (dust). Highest protection class (ATEX) and IP67 protection, small dimensions, only 9,5 kg weight, universal functions and technical data, an integrated heater and an optional stainless steel housing guarantee safe operation even under difficult environmental conditions. High quality brushless motors guarantee long life.

All actuators are programmable and adjustable on site. Special tools or equipment are not required. Motor running times are selectable or adjustable on site. The integrated universal power supply is self adaptable to input voltages in the range of 24...240 VAC/DC. The actuators are 100 % overload protected.

...Max-...-BF actuators are equipped with spring return fail safe function, with 2 integrated auxiliary switches for end position indication and an intrinsically safe tripping circuit for connecting the ...Pro-TT... safety temperature trigger. Standard shaft connection is a double square direct coupling with 16 × 16 mm.

Different accessories are available to adapt auxiliary switches, terminal boxes or adaptions for ball valves and throttle valves and other armatures.

Highlights

- ▶ For all types of gases, mists, vapours and dusts in zones 1, 2, 21 and 22
- ▶ Universal supply unit from 24...240 VAC/DC
- ▶ Motor running times 40–60–90–120–150 s/90° adjustable on site
- ▶ On-off and 3-pos. control with spring return function, running time ~ 20 s/90°
- ▶ Ex-i circuit for direct connection of the ...Pro-TT... safety temperature trigger
- ▶ 2 integrated auxiliary switches, switching at 5° and 85° angle of rotation
- ▶ 30–50–60 Nm actuators in the same housing size
- ▶ 100 % overload protected
- ▶ Compact design and small dimension (L × W × H ~ 288 × 149 × 116 mm)
- ▶ Direct coupling to the damper shaft with double square connection 16 × 16 mm
- ▶ 95° angle of rotation inclusive 5° pretension
- ▶ Robust aluminium housing (optional with seawater resistant coating) or in stainless steel
- ▶ IP67 protection
- ▶ Simple manual override included + preparation for comfortable manual override
- ▶ Gear made of stainless steel and sinter metal
- ▶ Weight only ~ 9,5 kg
- ▶ Integrated heater for ambient temperatures down to -40 °C
- ▶ Integrated safety temperature sensor
- ▶ Integrated equipment for manual adjustment (push button, lamp, switch)
- ▶ Preparation for adaptable and adjustable auxiliary switches type ...Switch



Technical data	ExMax- 30 - BF	ExMax- 50 - BF	ExMax- 60 - BF
Torque motor (min.)	30 Nm	50 Nm	60 Nm
Torque spring (F)	min. 30 Nm	min. 50 Nm	min. 60 Nm
Torque blockade	In blockade and end positions torques are higher than above specified torques for motor and spring.		
Dimensioning of external load	Upon spring return the external load should be max. 80 % of torque spring (F), but min. 10 Nm		
Supply voltage / frequency	24...240 VAC/DC \pm 10 %, self adaptable, frequency 50...60 Hz \pm 20 %		
Power consumption	max. starting currents see ① Extra information (in acc. with voltage, $I_{start} \gg I_{rated}$), approx. 5 W holding power, approx. 16 W for heater		
Protection class	Class I (grounded)		
Angle of rotation and indication	95° incl. \sim 5° pretension, mechanical value indication		
Working direction	selectable by left/right mounting to the damper/valve shaft		
Motor running times	40 / 60 / 90 / 120 / 150 s/90°	40 / 60 / 90 / 120 / 150 s/90°	40 / 60 / 90 / 120 s/90° selectable on site
Motor	Brushless DC motor		
Control mode	On-off and 3-pos. in acc. with wiring, selectable on site		
Spring return (F)	spring return upon voltage interruption, response time up to 1 sec. after voltage interruption		
Spring return running time (F)	\sim 20 s/90°		
Safety operations at 20 sec. (F)	min. 10,000 acc. to construction of damper and ambient		
Ex-i tripping circuit	Intrinsically safe circuit to connect the ExPro-TT-... safety temperature trigger directly to the actuator with M12 quick connection		
Auxiliary switches	2 integrated auxiliary switches, switching at 5° and 85° angle of rotation, potential free. Grid fuse-protection is recommended!		
	U_{max}/I_{max} AC = 250 V/5 A; U_{min} AC/DC = 5 V; After one-time operation with $U > 24$ V AC/DC or $I > 100$ mA: U_{min} AC/DC = 12 V U_{max}/I_{max} DC = 48 V/1 A; I_{min} AC/DC = 5 mA; I_{min} AC/DC = 100 mA		
Axle of the actuator	Double square 16 x 16 mm, direct coupling, 100 % overload protected		
Electrical connection	Cable \sim 1 m, wire cross section 0.5 mm ² , equipotential bonding 4 mm ² . Connections in hazardous areas require an Ex-e terminal box!		
Diameter of cable	\sim \varnothing 9,6 mm	\sim \varnothing 9,6 mm	\sim \varnothing 9,6 mm
Cable gland	M16 x 1.5 mm		
Manual override	Use delivered socket wrench, max. 4 Nm		
Heater	Integrated, controlled heater for ambient temperature down to -40 °C		
Housing material	Aluminium die-cast housing, coated. Optional with seawater resistant coating (...-CTM) or stainless steel housing, № 1.4581 / UNS - J92900 / similar AISI 316Nb (...-VAM)		
Dimensions (L x W x H)	\sim 288 x 149 x 116 mm, for diagrams see ① Extra information		
Weight	\sim 9.5 kg aluminium housing, stainless steel \sim 15 kg		
Ambients	Storage temperature $-40...+70$ °C, working temperature $-40...+40$ °C at T6 and $-40...+50$ °C at T5		
Humidity	0...90 % rH, non condensing		
Operation mode	80 % ED are permitted (ED = duty cycle)		
Maintenance	Maintenance free relative to function, maintenance must comply with regional standards, rules and regulations		
Wiring diagrams	SB 7.2/7.3	SB 7.2/7.3	SB 7.2/7.3
Scope of delivery	Actuator, 4 screws M8 x 140 mm, 4 nuts M8, Allen key for simple manual override		
Parameter at delivery	30 Nm, 90 s/90°	50 Nm, 90 s/90°	60 Nm, 90 s/90°

Approbations

ATEX Directive	2014/34/EU
EU-Type Examination	EPS 17 ATEX 1 132 X
IECEX Conformity	IECEX EPS 17.0065X
Marking Gases	II 2 (2) G Ex db [ib Gb] IIC T6, T5 Gb
Types ...-CTM	II 2 (2) G Ex db [ib Gb] IIB T6, T5 Gb
Marking Dusts	II 2 (2) D Ex tb [ib Db] IIIC T80°C, T95°C Db
Ex-i circuit data	see table (T 1.0)
CE Marking	CE 0158
EMC Directive	2014/30/EU
Low Voltage Directive	2014/35/EU
Enclosure Protection	IP67 in acc. with EN 60529

Special solutions and accessories

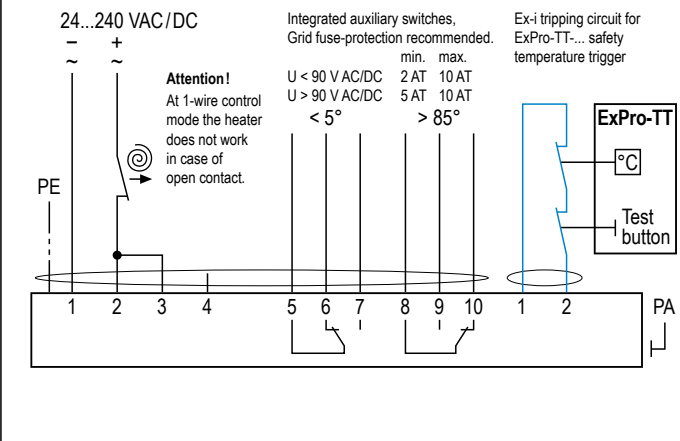
...-CTM	Types in aluminium housing with seawater resistant coating, parts nickel-plated
...-VAM	Types in stainless steel housing, parts nickel-plated
ExBox-...	Ex-e terminal boxes for zone 1, 2, 21, 22
MKK-M	Mounting bracket for boxes type ...Box-... directly on actuator
ExPro-TT-...	Safety temperature trigger for fire dampers
ExSwitch	2 external aux. switches, adjustable for zone 1, 2, 21, 22
HV-MK	Comfortable manual override for ...Max actuators size M
AR-16-xx	Reduction part for 16 mm square connection to 14 or 12 mm shafts
Kit-S8	Cable glands nickel-plated
Adaptions	for dampers and valves on request
ExMax-...-S3	Ambient temperature up to $+60$ °C (T4), 110...240 VAC/DC, 25 % ED



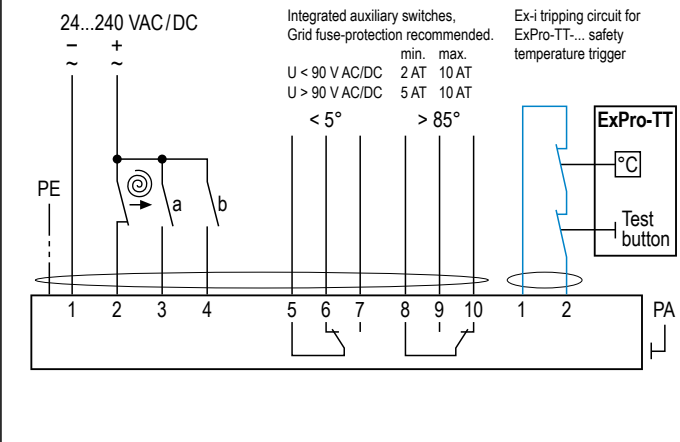
Electrical connection

All actuators are equipped with a universal supply unit working at a voltage range from 24...240 VAC/DC. The supply unit is self adjusting to the connected voltage! The safety operation of the spring return function works if the supply voltage is cut. For electrical connection inside hazardous areas an Ex-e terminal box, certificated in acc. with ATEX is required (e.g. ExBox).

On-off (1-wire) – spring return + Ex-i tripping circuit SB 7.2



On-off / 3-pos. – spring return + Ex-i tripping circuit SB 7.3



Ex-i intrinsic safe data – for temperature trigger ExPro-TT T 1.0

Table with 4 columns: Uo, Io, Po, Ci, Li and 3 columns: IIC, IIB, IIA. Values include 5,88 V, 24,75 mA, 37 mW, 43 µF, 1000 µF, 50 mH.

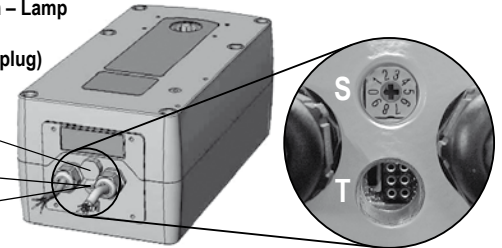


During commissioning apply a self adjustment drive. Regard duty cycle at motor running times! Never use spring return actuators without external load.

Parameters, adjustments and failure indication

Switch – Push button – Lamp for adjustment (behind the blanking plug)

10-position switch (S)
Push button (T)
3-colour LED



Parameter selection

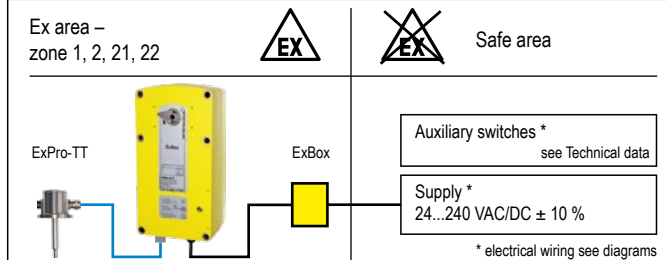
Example: ExMax-30-BF
Requested parameter: Torque 30 Nm, Motor running time 90 s/90°
Result: Switch position 02

Table with columns: Type, Torques, Running times, Position of switch (S). Lists parameters for ExMax-30-BF, ExMax-50-BF, ExMax-60-BF and their corresponding running times and switch positions.

Functions, adjustments and parameters

- A) Self adjustment of angle of rotation
B) Selecting motor running time and torque
C) Function of the ExPro-TT... in the Ex-i tripping circuit
D) Additional information for control in 3-pos. operation

Installation





Important information for installation and operation

A. Installation, commissioning, maintenance

All national and international standards, rules and regulations for hazardous Ex-areas must be complied with. Certified apparatus must be installed in accordance with manufacturer instructions. If the equipment is used in a manner not specified by the manufacturer, the safety protection provided by the equipment may be impaired. For electrical installations design, selection and erection, EN/IEC 60079-14 can be used.

For electrical connection an Ex-e terminal box is required (e.g. ExBox-...).

Attention: If the actuator is put out of operation all Ex rules and regulations must be applied. You have to cut the supply voltage before opening the terminal box!

The cables of the actuator must be installed in a fixed position and protected against mechanical and thermal damage. Connect potential earth. Avoid temperature transfer from armature to actuator! Close all openings with min. IP67.

For outdoor installation a protective weather shield against sun, rain and snow should be applied to the actuator as well as a constant supply at terminal 1 and 2 for the integrated heater. During commissioning apply a self adjustment drive.

Actuators are maintenance free. An annual inspection is recommended. For electrical installations inspection and maintenance, EN/IEC 60079-17 can be used. Ex-actuators must not be opened by the customer.

B. Manual override

Manual override only if supply voltage is cut. Use delivered socket wrench with slow motions, usage can be tight.

Attention: Releasing or letting go the Allen key too fast at manual operating actuators with spring return causes risk of injury!

C. Shaft connection, selection of running time

Actuators are equipped with a direct coupling double square shaft connection of 16 x 16 mm. The housing of the actuator is axially symmetrically built to select Open-close direction of the spring return function by left-right mounting. Using the 10-position switch different motor running times and spring return running times can be selected on site in acc. to the actuator type.

D. Temperature trigger ...Pro-TT...

The actuator ...Max-...-BF will work only with the temperature trigger ExPro-TT-...

E. 3-position control mode

...Max actuators are in the best way suitable for the 3-pos. operation. To protect such elements as gears and mounting elements against harmful influences like minimum pulse time, ...Max actuators are protected via internal electronics. It ignores impulses < 0,5 s, the cyclic duration must be min. 0,5 s. At changing direction the pause is 1 s.

F. Spring return

Spring return function works only if the supply voltage for terminal 1 or 2 is cut. In the event of an electrical interruption, the spring returns to its end position even if supply voltage is available again during return function. Thereafter operation will continue.

G. Operation at ambient temperatures below -20 °C

All actuators are equipped with a regulated integrated heating device designed for employments down to -40 °C ambient temperature. The heater will be supplied automatically by connecting the constant voltage supply on the clamps 1 and 2.

1. After mounting the actuator must be immediately electrically connected.
2. The heater switches on automatically when actuator reaches internally -20 °C. It heats up the actuator to a proper working temperature, then heater switches off automatically. Actuator will not run during heating process.
3. The adjustment options are only ensured after this heating up period.

H. Excess temperatures

In acc. to the ATEX rules and regulations Ex actuators must be protected against excess temperature. The internal thermostat works as a maximum limiter and, in the event of failure at incorrect temperatures, shuts off the actuator irreversibly. An upstream connected temperature sensor stops the actuator before reaching its max. temperature. This safety feature is reversible, after cooling down the actuator is completely functional again. In this case the failure must be eliminated immediately on site!

I. Synchron mode

Do not connect several actuators to one shaft or link mechanically together.

J. Mechanical protection

Actuators must be operated with a minimum external load.

After installing the actuator to the damper/armature a self adjustment drive has to be performed in order to protect the damper/armature against mechanical overload. During operation the actuator reduces briefly its speed (motor power) before reaching the end position for a "gentle" blockade/stop.

K. Intrinsically safe circuits

The actuator has a flameproof enclosure acc. to EN 60079. The supply of the push button (adjustment drive), the 10-position switch (adjustment of torque and running time), the LED indicator and the sensor connection ExPro-TT are intrinsically safe!

L. Routine tests of fire dampers

For periodic inspection of fire dampers cut off the supply line (current of actuator). The test button at ExPro-TT-... is only for test aims of actuator's function.

ⓘ Extra information (see additional data sheet)

Additional technical information, dimensions, installation instruction, illustration and failure indication

Accessory ExSwitch – Ex-d auxiliary switch



For an end or inclined position indication it is possible to retrofit external, adjustable, explosion proof auxiliary switches type ExSwitch.

The ...Switch is mounted directly to the actuator. The switches deliver a potential free output and can be adjusted separately. They are connected by cable.

Accessory ExBox – Ex-e terminal box



For electrical connection of the ...Max actuator in a hazardous area an explosion proof terminal box is required.

To adapt the ...Box directly to the actuator housing a mounting bracket is required.

ExBox- BF for ...Max-...-BF