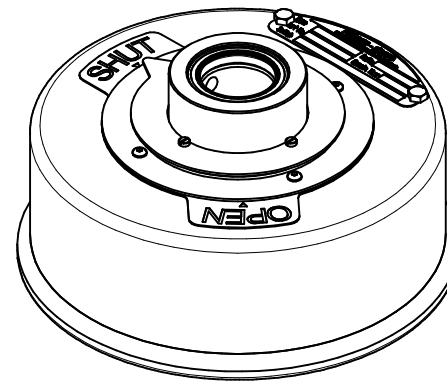
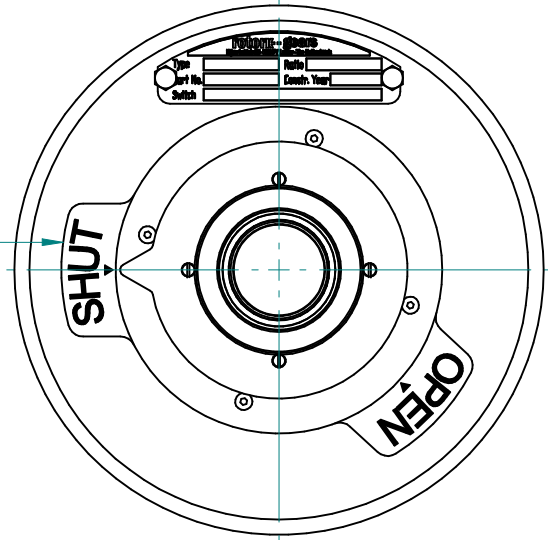
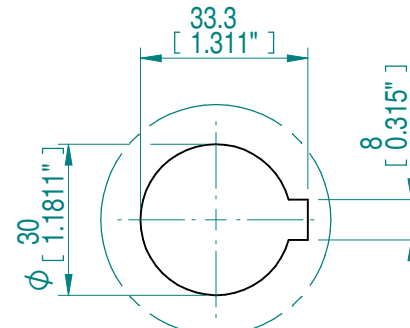
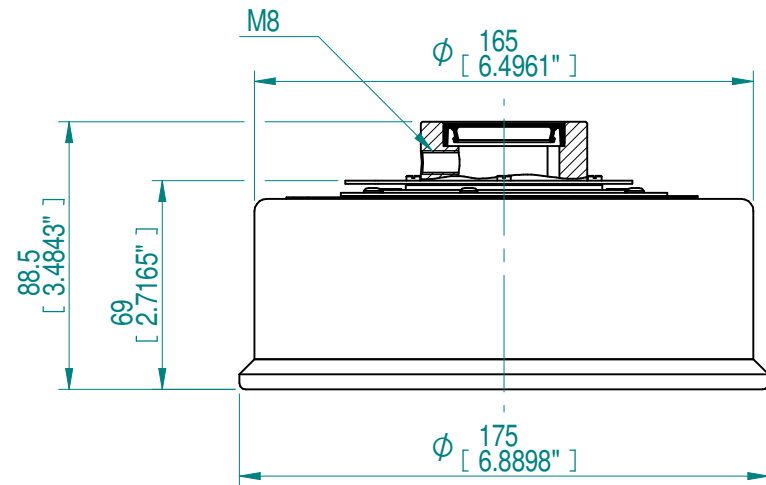


Drawing Number
ECLBB OPEN-SHUT ADJ

Adjustable open and shut

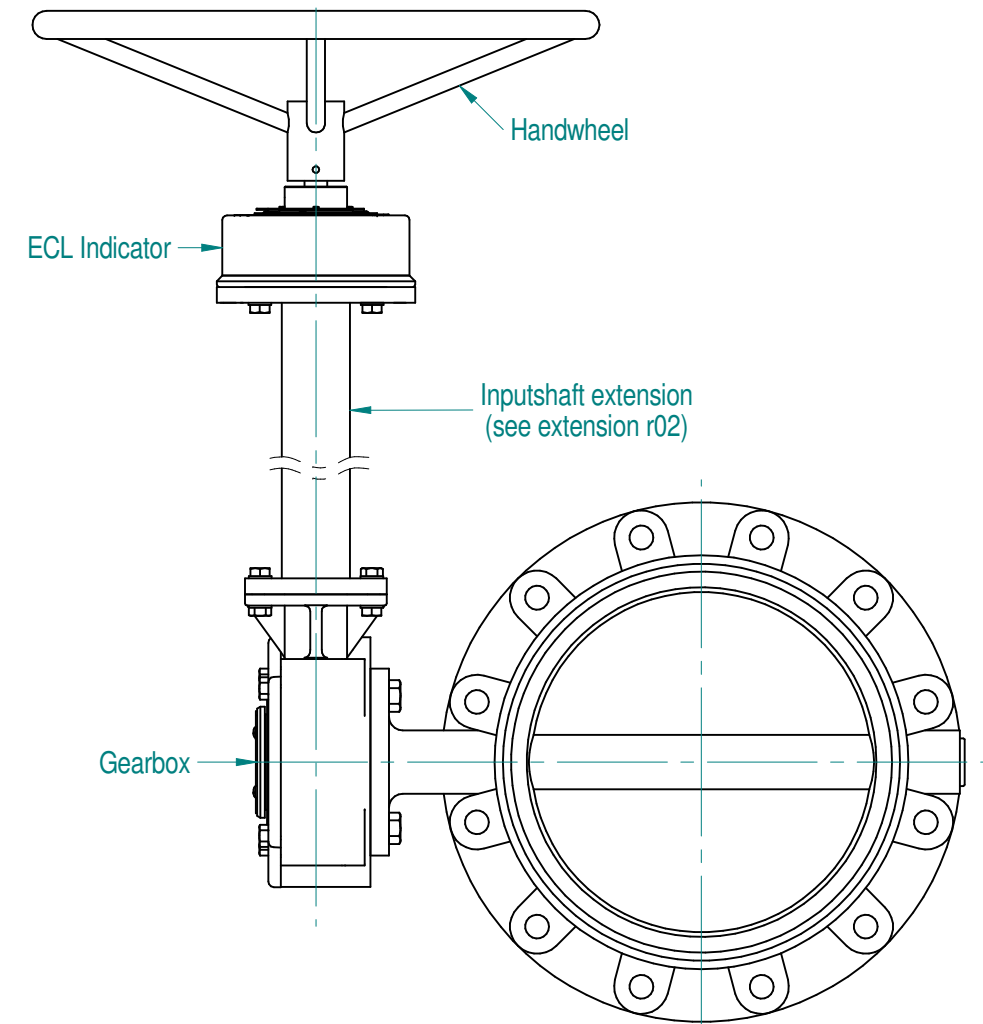
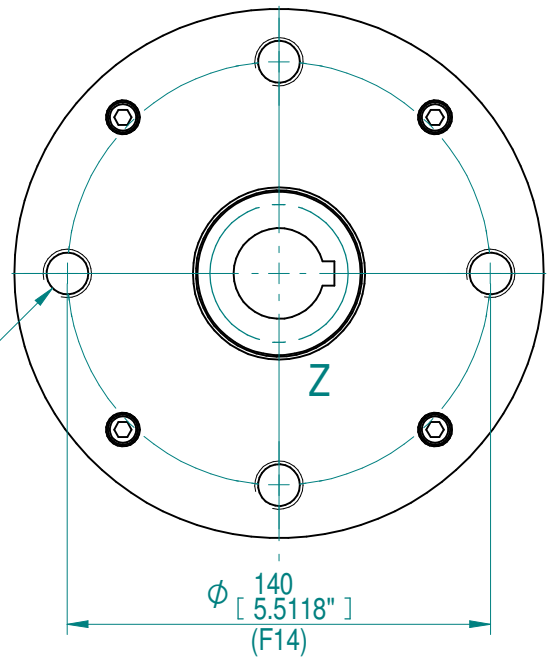


ISOMETRIC VIEW
1:3



Z
1:1,5

4x M16
MIN. THREAD DEPTH 14 [0.55"]



Notes:

1. Outside housing from Aluminum
2. All fasteners Stainless steel
3. Other PCD's on request (F10, F12)
4. Other bores on request (Max. $\phi 40$ Key 12 or $\square 36$)
5. Round bore bigger than 30 key 8 and square bore will be without lipseal

DETAILS				SUITABLE FOR ALL GEARBOXES WITH A			
TYPE	RATIO	WEIGHT	HOUSE MATERIAL	MINIMUM TURNS TO CLOSE	MINIMUM RATIO	MAXIMUM TURNS TO CLOSE	MAXIMUM RATIO
ECLBB 1	39 : 1	4.9 kg (10.8 lbs)	ALUMINUM	6.5	26 : 1	32.5	130 : 1
ECLBB 2	170 : 1	5.0 kg (11 lbs)	ALUMINUM	28	112 : 1	142	568 : 1
ECLBB 3	355 : 1	5.0 kg (11 lbs)	ALUMINUM	59	236 : 1	296	1184 : 1
ECLBB 4	1540 : 1	5.1 kg (11.2 lbs)	ALUMINUM	257	1028 : 1	1283	5132 : 1

AS PART OF CONTINUOUS PRODUCT DEVELOPMENT, ALL DETAILS SUBJECT TO CHANGE WITHOUT PRIOR NOTICE. FOR UP TO DATE DETAILS PLEASE VISIT www.rotork.com

<p>rotork® Gears LOSSER - THE NETHERLANDS www.rotork.com</p>	This drawing is confidential and is the property of Rotork Gears and must not be reproduced either wholly or partly. All rights in respect of patents, designs and copyrights are reserved. © 2016		Title NEW ECL BIG BORE DATASHEET WITH ADJUSTABLE OPEN AND SHUT	
	Dimensions in mm Scale 1:5		Drawing Number ECLBB OPEN-SHUT ADJ	
	Created Robbin Goosen 19-10-2017	Checked Henk Hoff 19-10-2017	Iss. 01	
	Approved		Sheet 1 of 1 Size A3	

Iss.	EC	Revised	Checked	Approved	Date	Change Description
01	-	-	-	-	19-10-2017	FIRST ISSUE