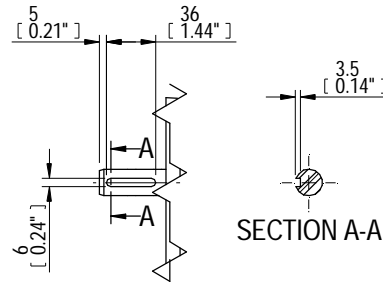
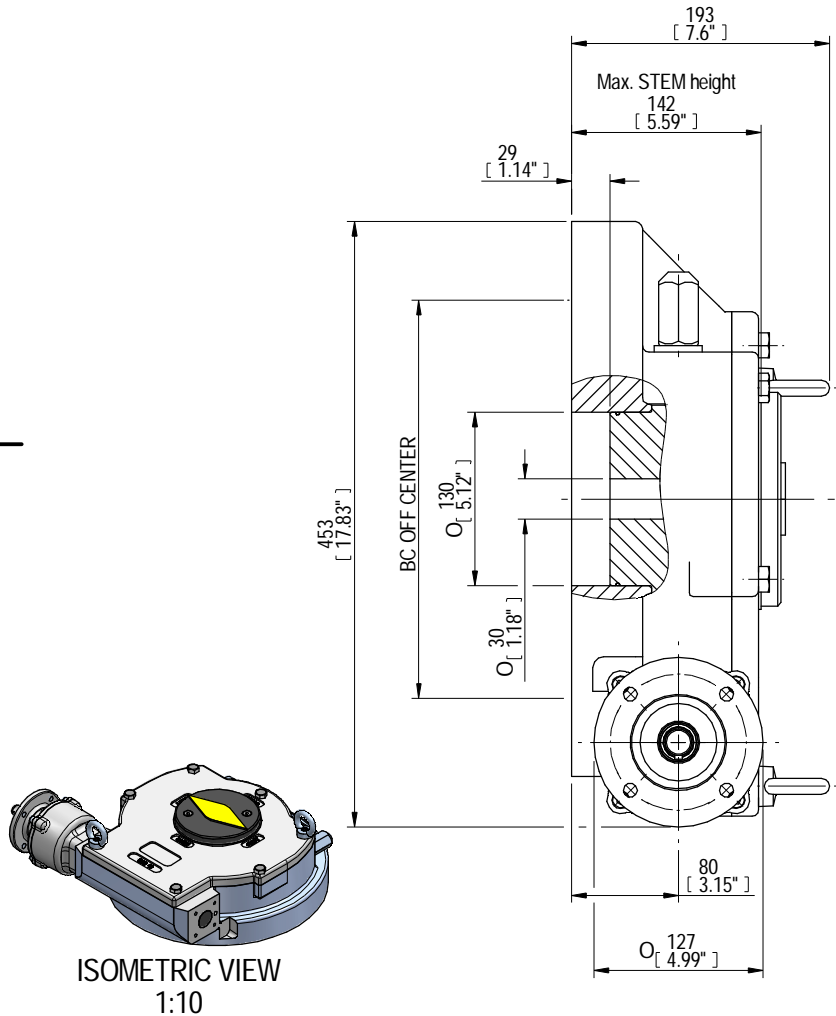
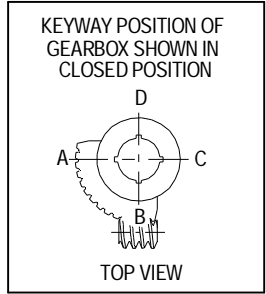
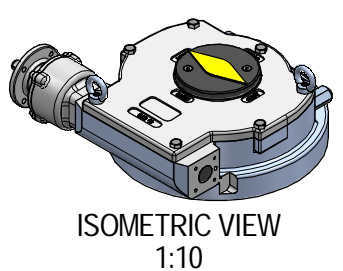
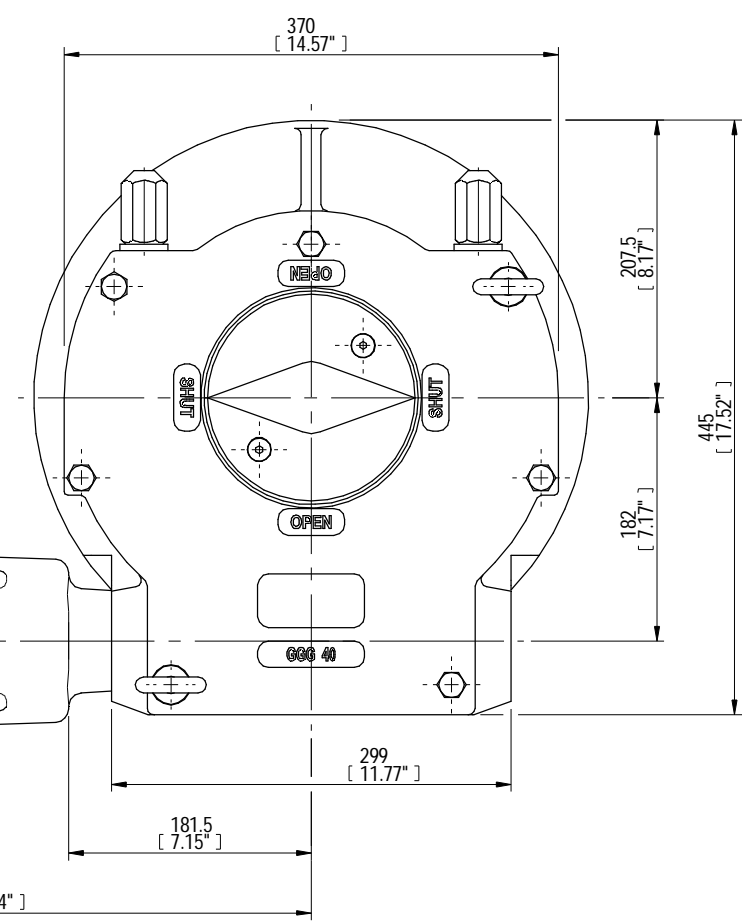
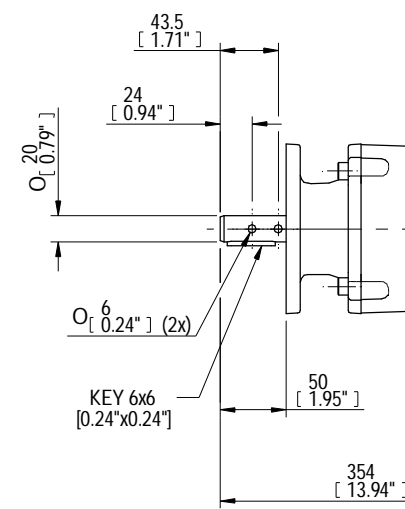


DESCRIPTION				MOUNTING HOLES - BOLT CIRCLE (OFF CENTRES)			BORE: STEM ACCEPTANCE WITH KEYWAY IN ACCORDING WITH STANDARD			TORQUE			
RATIO	TURNS TO CLOSE	TRAVEL (1/4 TURN)	WEIGHT	NR of HOLES	MIN ENVELOP PCD - ØHOLE	MAX ENVELOP PCD + ØHOLE	ACCORDING TO ISO 5211 / MSS SP-101	MIN	MAX	STANDARD	OUTPUT	INPUT	MA
468:1	117	-5° TO 95°	94.2 kg	4	Ø134 mm	Ø405 mm	F16	Ø30 mm	Ø100 mm	DIN 6885-1	17000 Nm	121 Nm	140 u 15%
			208 lbs	8	Ø134 mm	Ø405 mm	F25 - F30 -F35						
				4	Ø5.28 inch	Ø15.94 inch	FA16	Ø1.18 inch	Ø3.94 inch	ANSI B17.1	150620 lbf.in	1075 lbf.in	
				8	Ø5.28 inch	Ø15.94 inch	FA25 - FA30 -FA35						



KEY DETAILS



AS PART OF CONTINUOUS PRODUCT DEVELOPMENT, ALL DETAILS SUBJECT TO CHANGE WITHOUT PRIOR NOTICE. FOR UP TO DATE DETAILS PLEASE VISIT [www.rotork.com](http://www.rotork.com)

Rev	CN	Revised	Approved	Date	Change Description
A				15/11/2013	FIRST ISSUE

 LOSSEER - THE NETHERLANDS <a href="http://www.rotork.com">www.rotork.com</a>	Document type <b>DETAIL DRAWING</b>		Title <b>E6800W WITH PR6 RH</b> <b>PLANETARY GEARBOX-PR6</b>	
	Dimensions in mm Scale 1:4		Drawing Number <b>E6800W-PR6 LB RH</b>	
Created	K. DANIEL	11/11/2013	Rev	A
Checked	PRABU.D	15/11/2013	Sheet	1 of 1 Size A3
Approved				