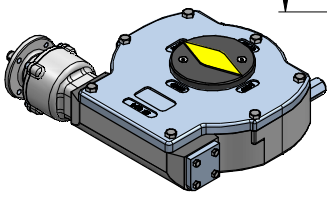
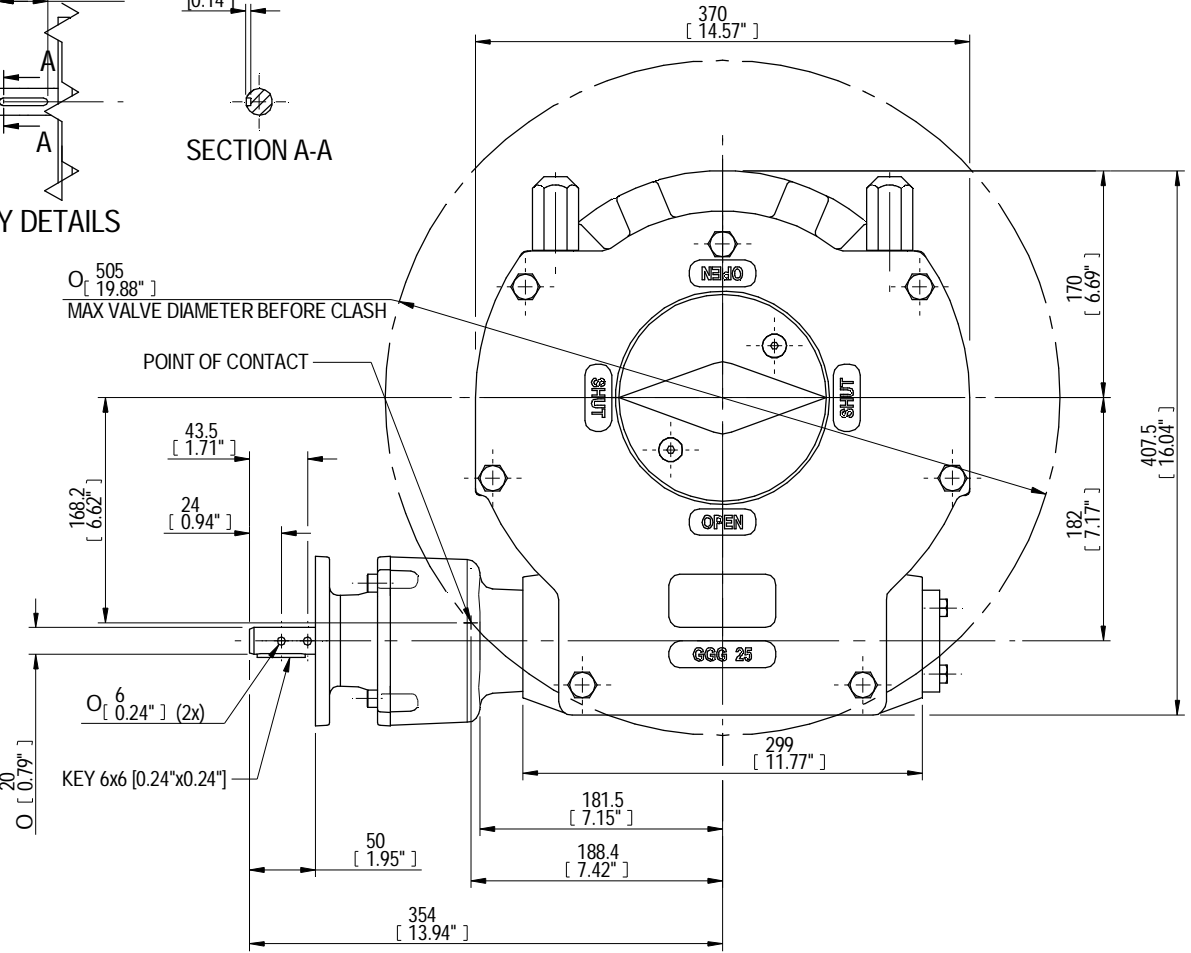
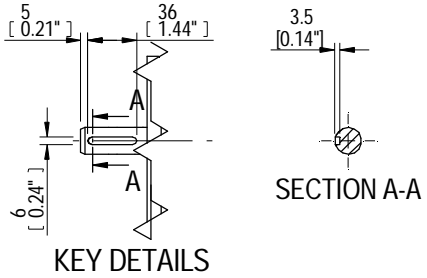
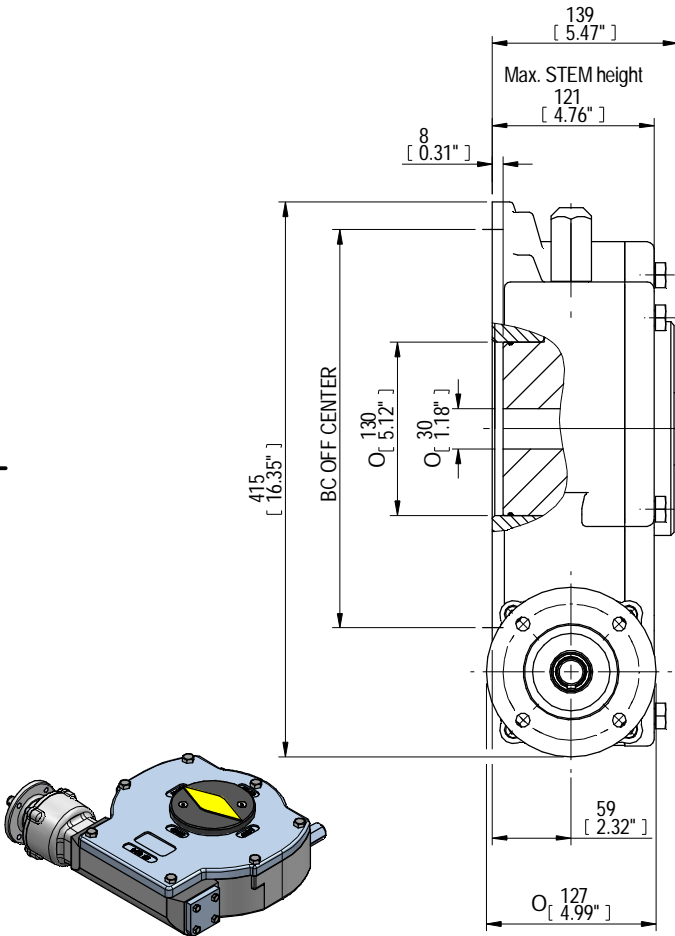
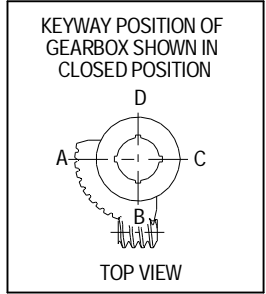


DESCRIPTION				MOUNTING HOLES - BOLT CIRCLE (OFF CENTRES)				BORE; STEM ACCEPTANCE WITH KEYWAY IN ACCORDING WITH STANDARD			TORQUE		
RATIO	URNS TO CLOSE	TRAVEL (1/4 TURN)	WEIGHT	NR of HOLES	MIN ENVELOP PCD - ØHOLE	MAX ENVELOP PCD + ØHOLE	ACCORDING TO ISO 5211 / MSS SP-101	MIN	MAX	STANDARD	OUTPUT	INPUT	MA
326:1	81.5	-5° TO 95°	62.5 kg	4	Ø134 mm	Ø335 mm	F16	Ø30 mm	Ø100 mm	DIN 6885-1	12500 Nm	130 Nm	96±15%
			138 lbs	8	Ø134 mm	Ø335 mm	F25 - F30						
				4	Ø5.28 inch	Ø13.19 inch	FA16	Ø1.18 inch	Ø3.94 inch	ANSI B17.1	110634 lbf.in	1152 lbf.in	
				8	Ø5.28 inch	Ø13.19 inch	FA25 - FA30						



ISOMETRIC VIEW
1:10

AS PART OF CONTINUOUS PRODUCT DEVELOPMENT, ALL DETAILS SUBJECT TO CHANGE WITHOUT PRIOR NOTICE. FOR UP TO DATE DETAILS PLEASE VISIT www.rotork.com

 LOSSER - THE NETHERLANDS www.rotork.com	Document type DETAIL DRAWING		Title E6800G WITH PR4 RH PLANETARY GEAR BOX- PR4	
	Dimensions in mm Scale 1:4		Drawing Number E6800G-PR4 RH	
	Created MD RIAZ Checked PRABU D Approved	06/11/2013 12/11/2013	Sheet 1 of 1 Size A3	Rev A

Rev	CN	Revised	Approved	Date	Change Description
A				12/11/2013	FIRST ISSUE