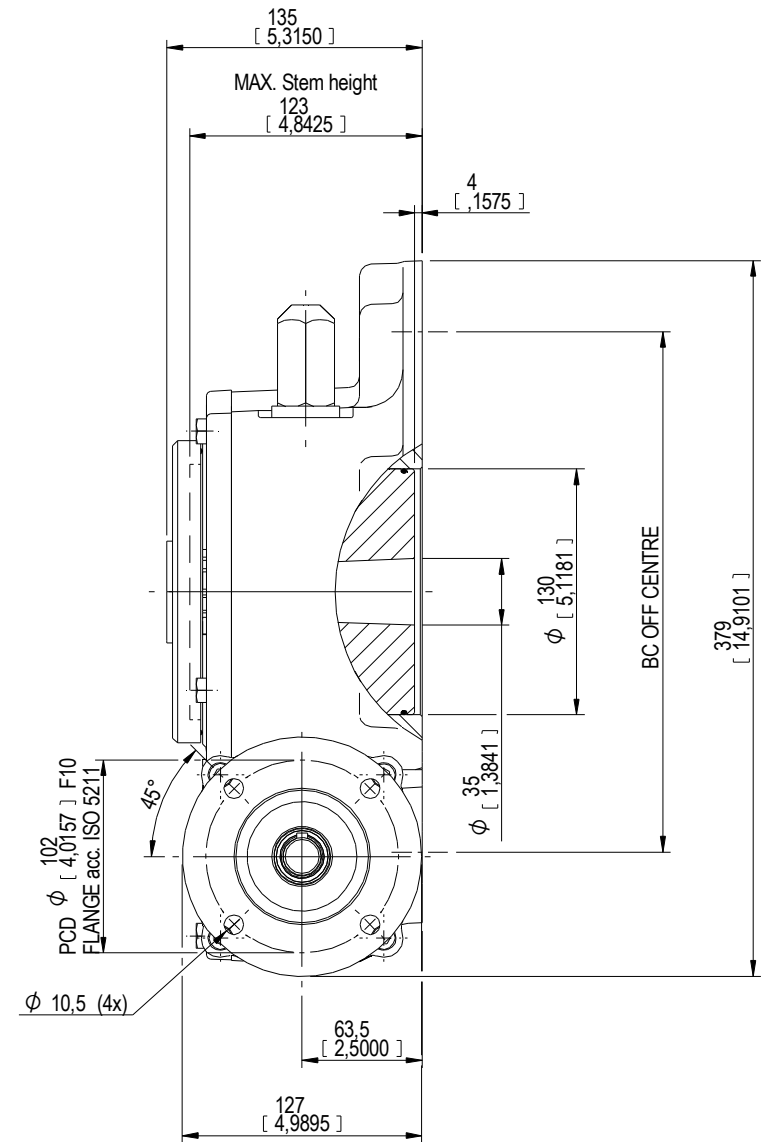
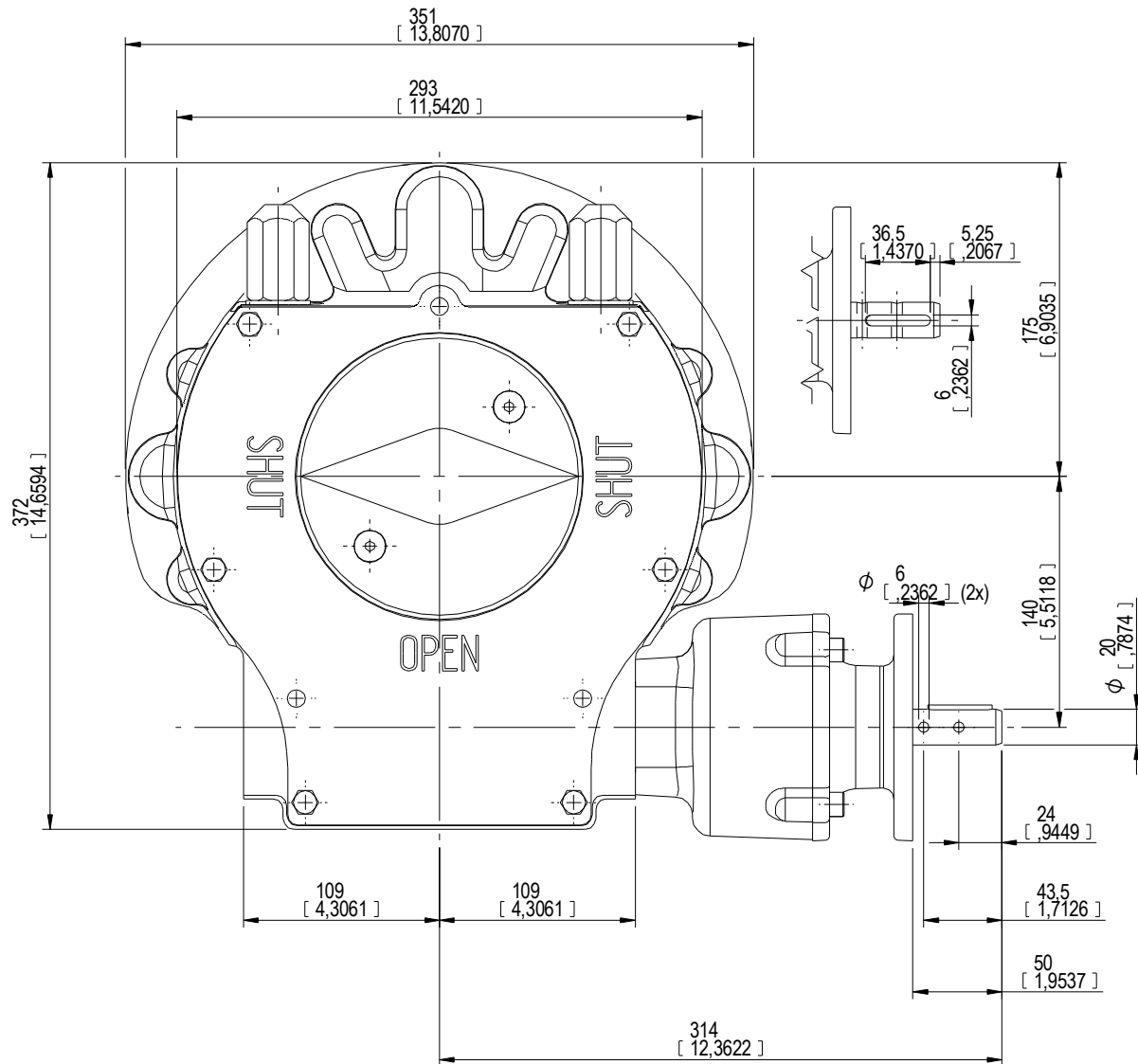


| DESCRIPTION | | MOUNTING HOLES - BOLT CIRCLE (OFF CENTRES) | | | | BORE: STEM ACCEPTANCE WITH KEYWAY IN ACCORDING WITH STANDARD | | | TORQUE | | | | | |
|-------------|---------------|--|-----------------|-------------|--------------------------|--|------------------------------------|------------|------------|------------|------------|---------------|------------|-----------|
| RATIO | URNS TO CLOSE | TRAVEL (1/4 TURN) | WEIGHT | NR of HOLES | MIN ENVELOPE PCD - ØHOLE | MAX ENVELOPE PCD + ØHOLE | ACCORDING TO ISO 5211 / MSS SP-101 | MIN | MAX | STANDARD | OUTPUT | INPUT | MA | |
| 348:1 | 87 | -5° TO 95° | 57 kg 126 lb | 4 | Ø275 mm | Ø318 mm | - | Ø35 mm | Ø100 mm | □75 mm | ISO 773 A | 11000 Nm | 104 Nm | 106 ± 15% |
| | | | | 8 | Ø275 mm | Ø318 mm | F30 | Ø1.38 inch | Ø3.94 inch | □2.95 inch | ANSI B17.1 | 97.358 lbf.in | 918 lbf.in | |
| | | | | 4 | Ø10.83 inch | Ø12.52 inch | - | | | | | | | |
| | | | | 8 | Ø10.83 inch | Ø12.52 inch | F430 | | | | | | | |

AS PART OF CONTINUOUS PRODUCT DEVELOPMENT, ALL DETAILS SUBJECT TO CHANGE WITHOUT PRIOR NOTICE. FOR UP TO DATE DETAILS PLEASE VISIT www.rotork.com



| | | | | |
|---|--|---------------------------------------|---|---|
| <small>LOSSER - THE NETHERLANDS</small> www.rotork.com | This drawing is confidential and is the property of Rotork Gears and must not be reproduced either wholly or partly. All rights in respect of patents, designs and copyrights are reserved. © 2013 | | Document type DETAIL DRAWINGS | Title GEARBOX E 3000 W / PR6 |
| | Scale 1:2 | Dimensions in mm [inch] | Large Base | Drawing Number AB-00191-OUT-1 |
| Created Robbin Goosen 19-3-2013 | Checked Niels Middel 19-3-2013 | Approved Niels Middel 19-3-2013 | Sheet 1 of 1 Size AZ | Rev 00 |