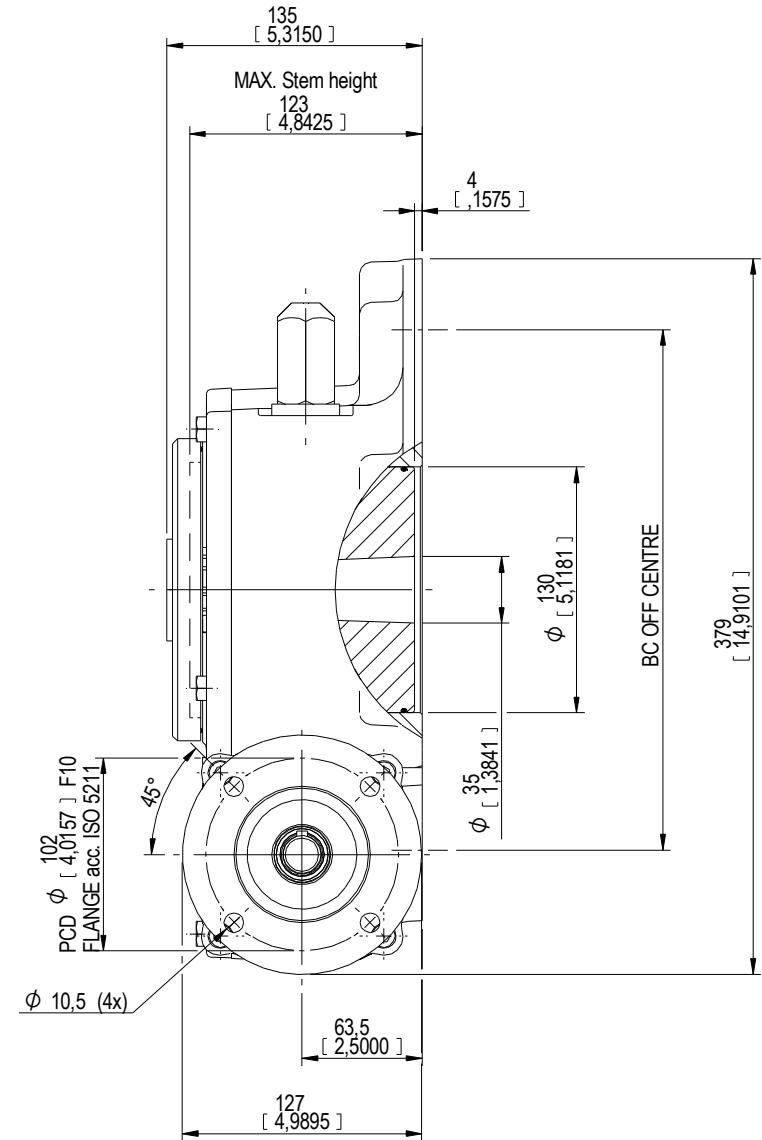
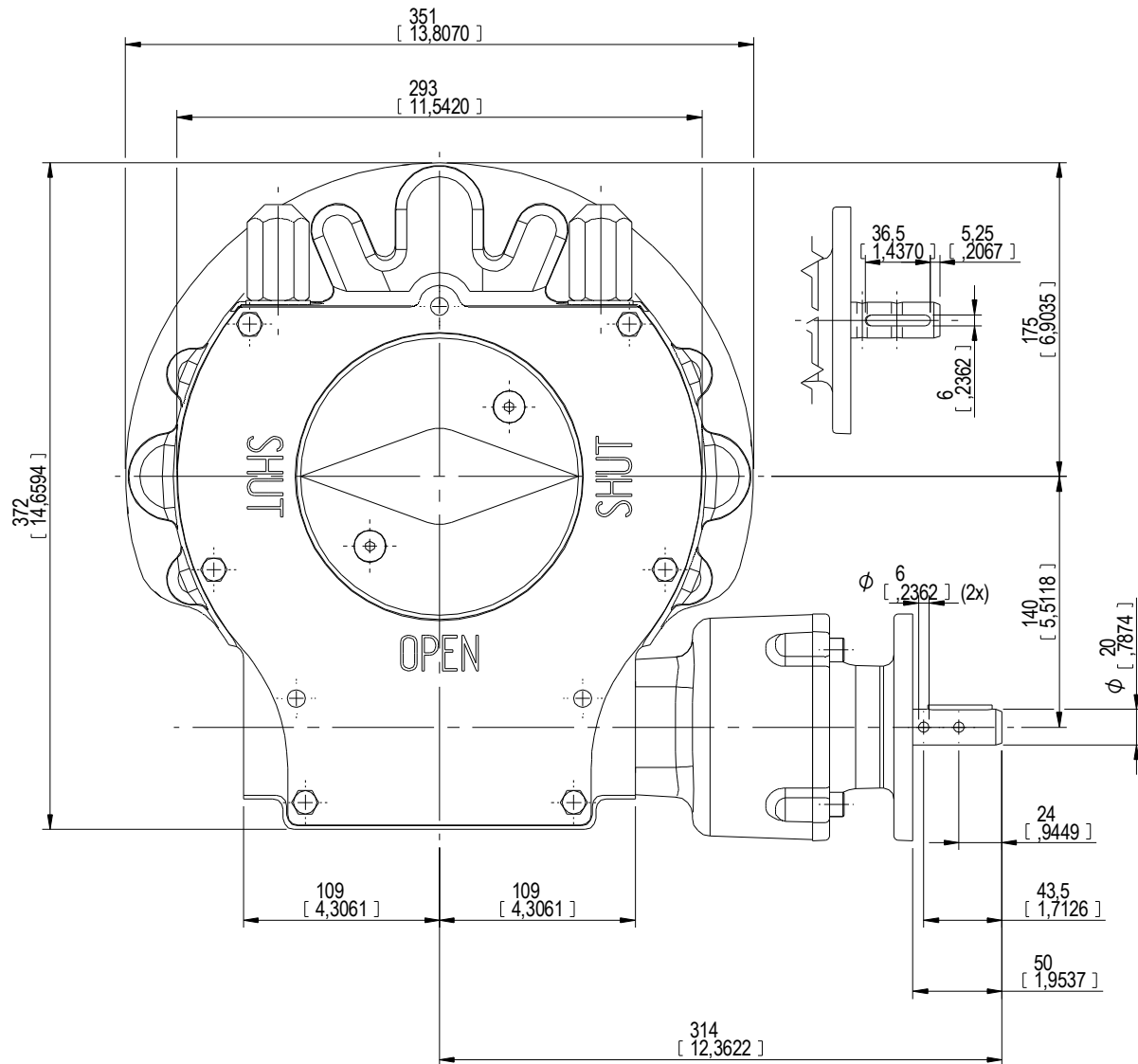


DESCRIPTION		MOUNTING HOLES - BOLT CIRCLE (OFF CENTRES)				BORE; STEM ACCEPTANCE WITH KEYWAY IN ACCORDING WITH STANDARD			TORQUE					
RATIO	TURNS TO CLOSE	TRAVEL (1/4 TURN)	WEIGHT	NR of HOLES	MIN ENVELOPE PCD - ØHOLE	MAX ENVELOPE PCD + ØHOLE	ACCORDING TO ISO 5211 / MSS SP-101	MIN	MAX	STANDARD	OUTPUT	INPUT	MA	
243:1	61	-5° TO 95°	55.7 kg	4	Ø275 mm	Ø318 mm	-	Ø35 mm	Ø100 mm	□75 mm	ISO 773 A	9000 Nm	111 Nm	81 ± 15%
			123 lb	8	Ø275 mm	Ø318 mm	F30	Ø1.38 inch	Ø3.94 inch	□2.95 inch	ANSI B17.1	79.657 lbf.in	983 lbf.in	
AS PART OF CONTINUOUS PRODUCT DEVELOPMENT, ALL DETAILS SUBJECT TO CHANGE WITHOUT PRIOR NOTICE. FOR UP TO DATE DETAILS PLEASE VISIT <a href="http://www.rotork.com">www.rotork.com</a>														



This drawing is confidential and is the property of Rotork Gears and must not be reproduced either wholly or partly. All rights in respect of patents, designs and copyrights are reserved. © 2013

Document type	DETAIL DRAWINGS	
Created	Robbin Goosen	18-3-2013
Checked	Niels Middel	18-3-2013
Approved	Niels Middel	18-3-2013

Title	GEARBOX E 3000 W / PR4	
Scale	1:2	
Dimensions in mm [inch]	LARGE BASE	
Drawing Number	AB-00180-OUT-1	
Sheet	1 of 1	Size AZ
Rev	00	