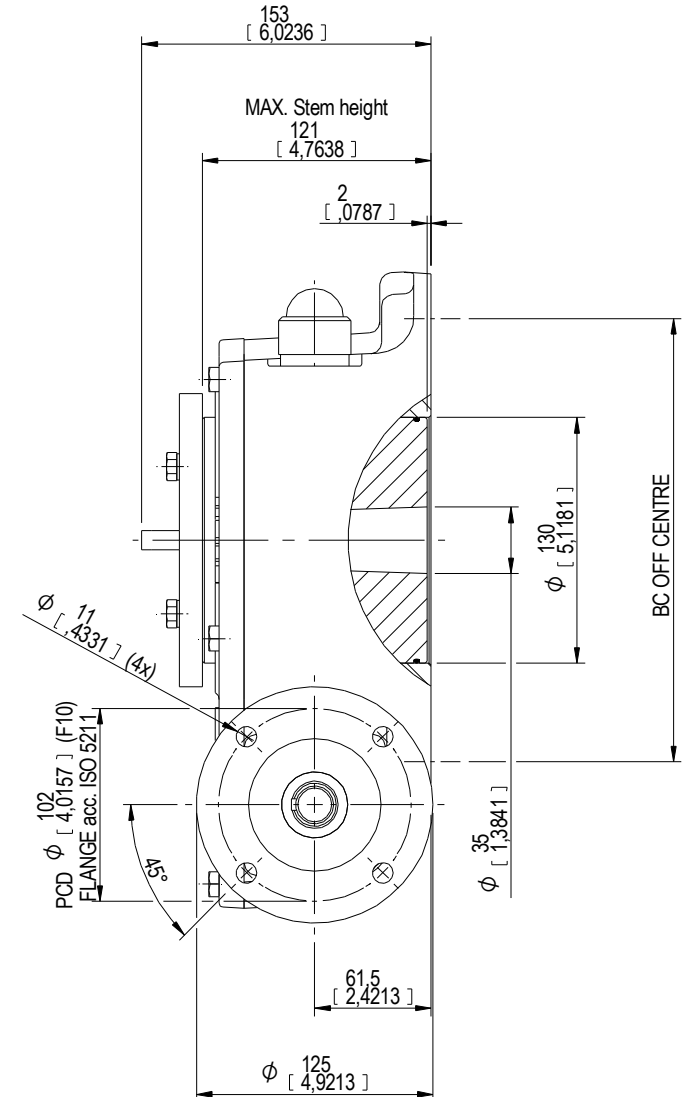
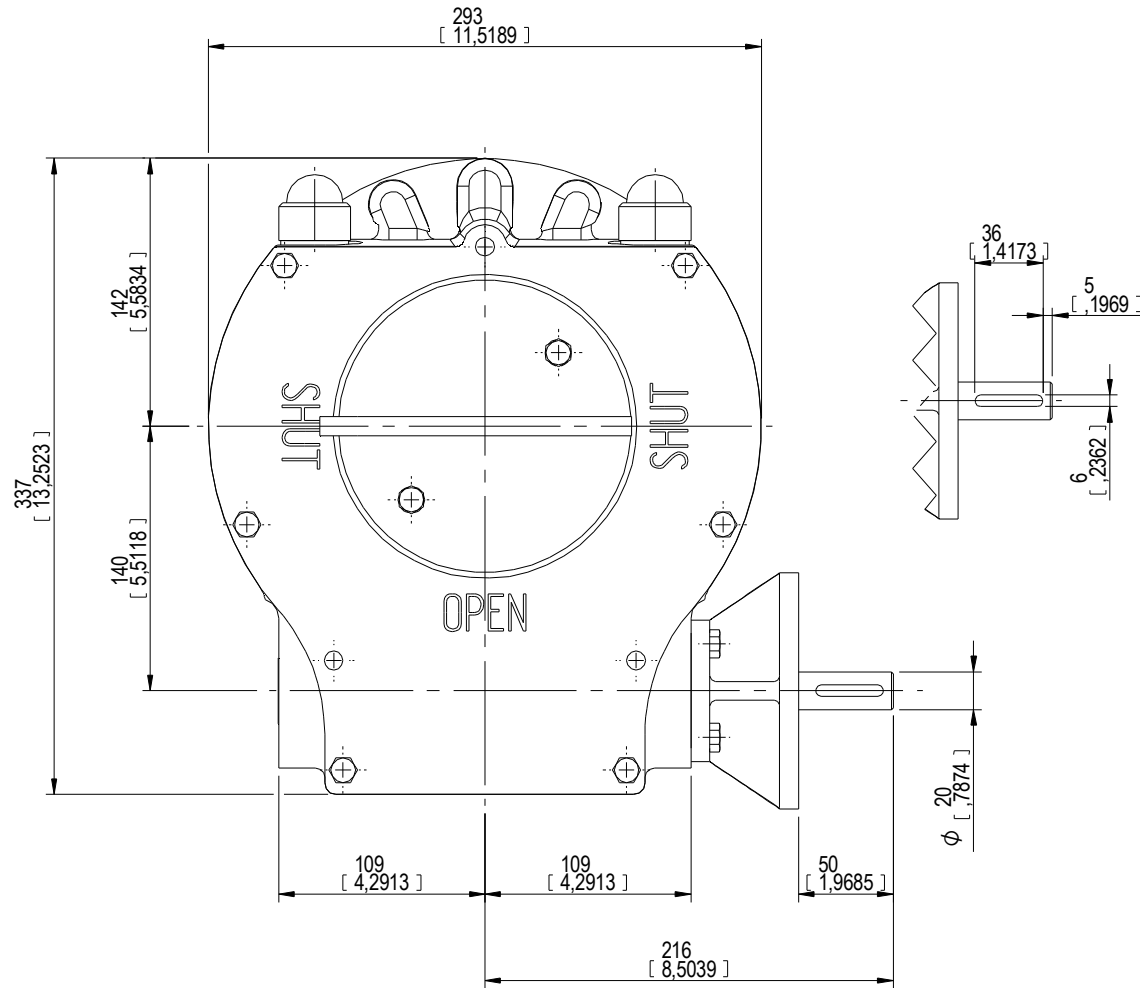


RATIO	TURNS TO CLOSE	TRAVEL (1/4 TURN)	WEIGHT	MOUNTING HOLES - BOLT CIRCLE (OFF CENTRES)			BORE: STEM ACCEPTANCE WITH KEYWAY IN ACCORDING WITH STANDARD			TORQUE				
				NR of HOLES	MIN ENVELOPE PCD - ØHOLE	MAX ENVELOPE PCD + ØHOLE	ACCORDING TO ISO 5211 / MSS SP-101	MIN	MAX	STANDARD	OUTPUT	INPUT	MA	
58:1	14.5	-5° TO 95°	44 kg	4	Ø165 mm	Ø254 mm	F16	Ø35 mm	Ø100 mm	□75 mm	ISO 773 A	7000 Nm	305 Nm	23 ± 15%
				8	Ø165 mm	Ø254 mm	F25							
			96.8 lb	4	Ø6.50 inch	Ø10.0 inch	FA16	Ø1.38 inch	Ø3.94 inch	□2.95 inch	ANSI B17.1	61.950 lbf.in	2699 lbf.in	
				8	Ø6.50 inch	Ø10.0 inch	FA25							

AS PART OF CONTINUOUS PRODUCT DEVELOPMENT, ALL DETAILS SUBJECT TO CHANGE WITHOUT PRIOR NOTICE. FOR UP TO DATE DETAILS PLEASE VISIT www.rotork.com



rotork
LOSSEER - THE NETHERLANDS
www.rotork.com

This drawing is confidential and is the property of Rotork Gears and must not be reproduced either wholly or partly. All rights in respect of patents, designs and copyrights are reserved. © 2013

Document type	DETAIL DRAWINGS		Title	GEARBOX E 3000 N	
	Dimensions in mm [inch]				
	Scale 1:2				
Created	Robbin Goosen	9-4-2013	Drawing Number	AB-00224-OUT-1	
Checked	Henk Hoff	9-4-2013	Rev	00	
Approved	Henk Hoff	9-4-2013	Sheet	1 of 1	Size AZ