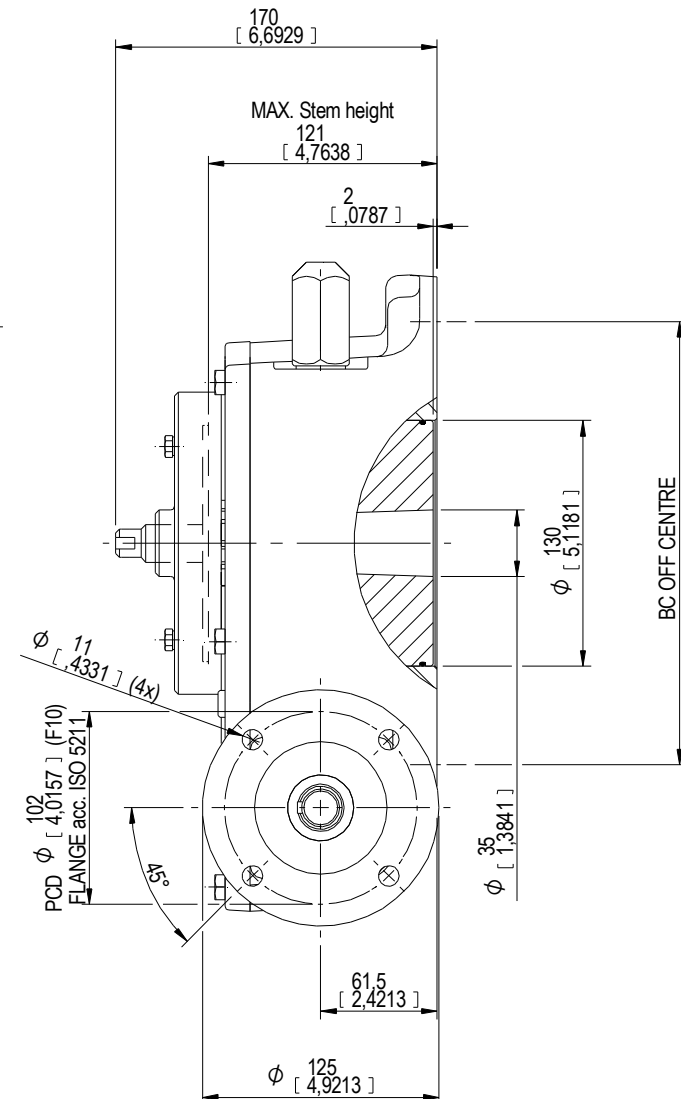
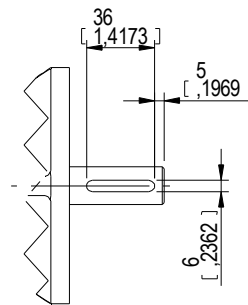
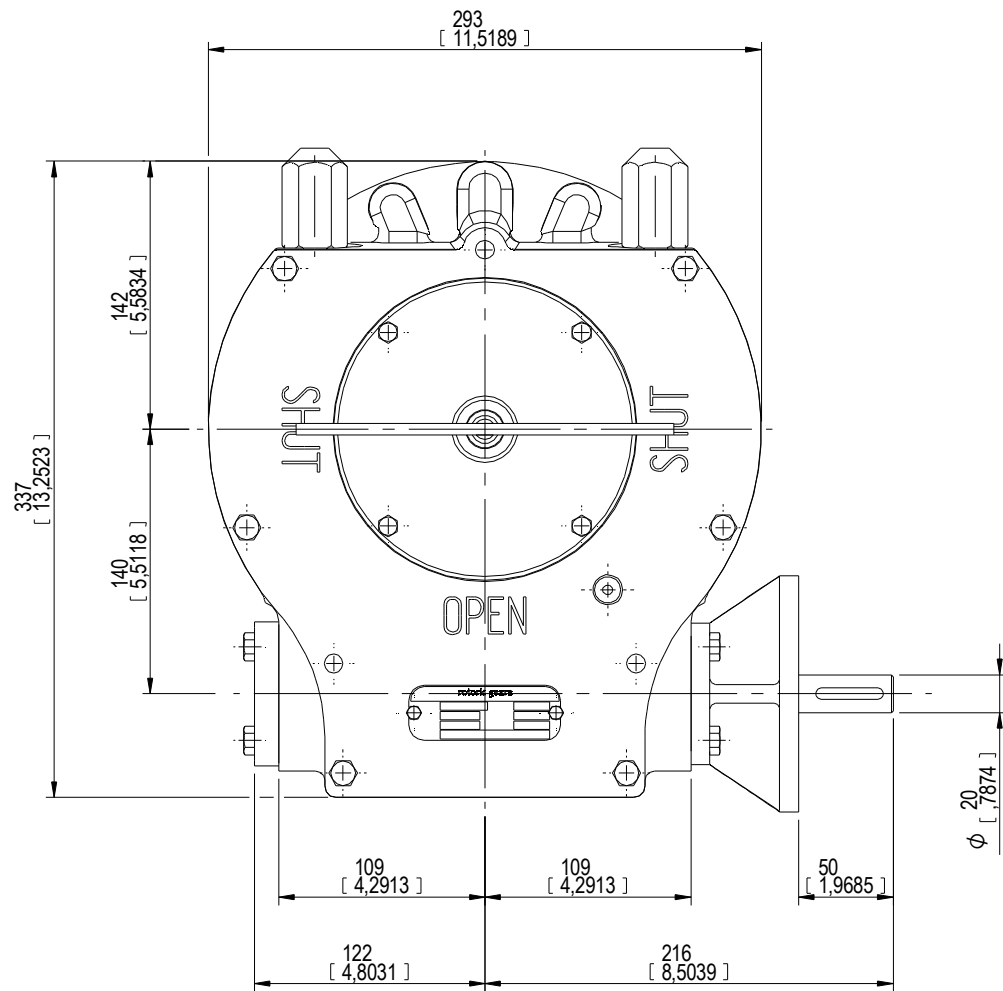


DESCRIPTION		MOUNTING HOLES - BOLT CIRCLE (OFF CENTRES)				BORE: STEM ACCEPTANCE WITH KEYWAY IN ACCORDING WITH STANDARD			TORQUE					
RATIO	TURNS TO CLOSE	TRAVEL (1/4 TURN)	WEIGHT	NR of HOLES	MIN ENVELOPE PCD - ØHOLE	MAX ENVELOPE PCD + ØHOLE	ACCORDING TO ISO 5211 / MSS SP-101	MIN	MAX	STANDARD	OUTPUT	INPUT	MA	
58:1	14.5	-5° TO 95°	44 kg 96.8 lb	4	Ø165 mm	Ø254 mm	F16	Ø35 mm	Ø100 mm	□75 mm	ISO 773 A	7000 Nm	305 Nm	23 ± 15%
				8	Ø165 mm	Ø254 mm	F25							
				4	Ø6.50 inch	Ø10.0 inch	FA16	Ø1.38 inch	Ø3.94 inch	□2.95 inch	ANSI B17.1	61.950 lbf.in	2699 lbf.in	
				8	Ø6.50 inch	Ø10.0 inch	FA25							

AS PART OF CONTINUOUS PRODUCT DEVELOPMENT, ALL DETAILS SUBJECT TO CHANGE WITHOUT PRIOR NOTICE. FOR UP TO DATE DETAILS PLEASE VISIT [www.rotork.com](http://www.rotork.com)



 <small>LOSSER - THE NETHERLANDS</small> <a href="http://www.rotork.com">www.rotork.com</a>	Document type <b>DETAIL DRAWINGS</b>		Title <b>GEARBOX E 3000 G SUBSEA</b>	
	Dimensions in mm [inch] Scale 1:2		Drawing Number <b>AB-00227-OUT-1</b>	
Created <b>Robbin.Gosens</b> Checked <b>Henk Hoff</b> Approved <b>Henk Hoff</b>	9-4-2013 9-4-2013 9-4-2013	Sheet 1 of 1	Size AZ	Rev 00