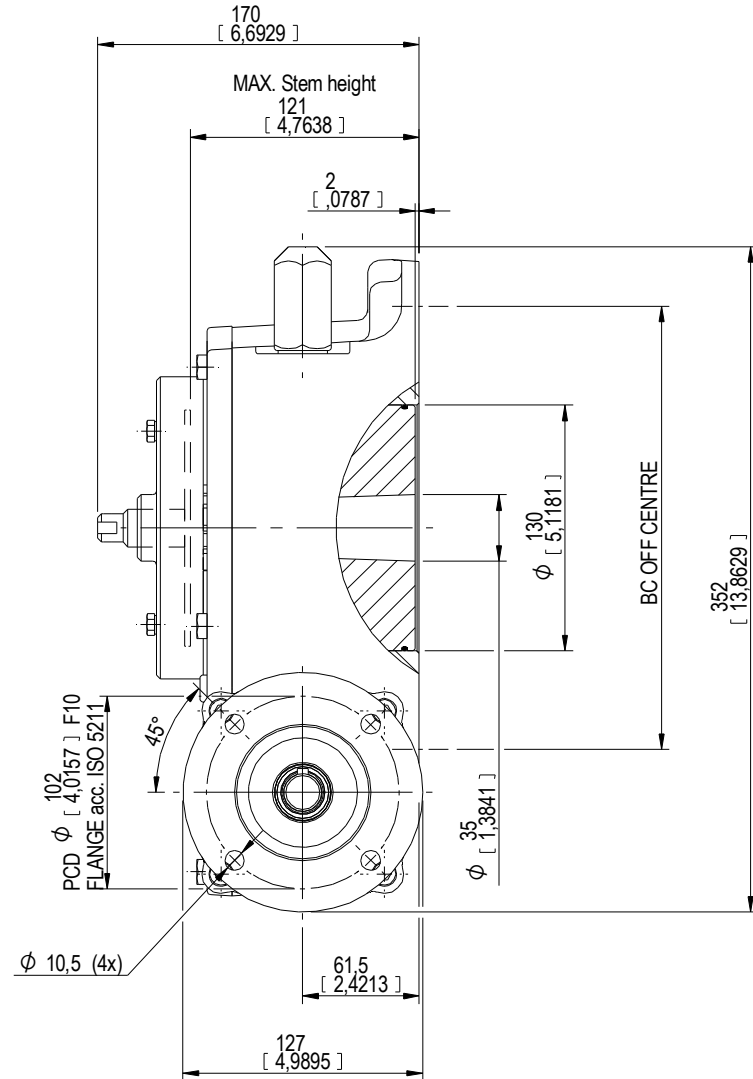
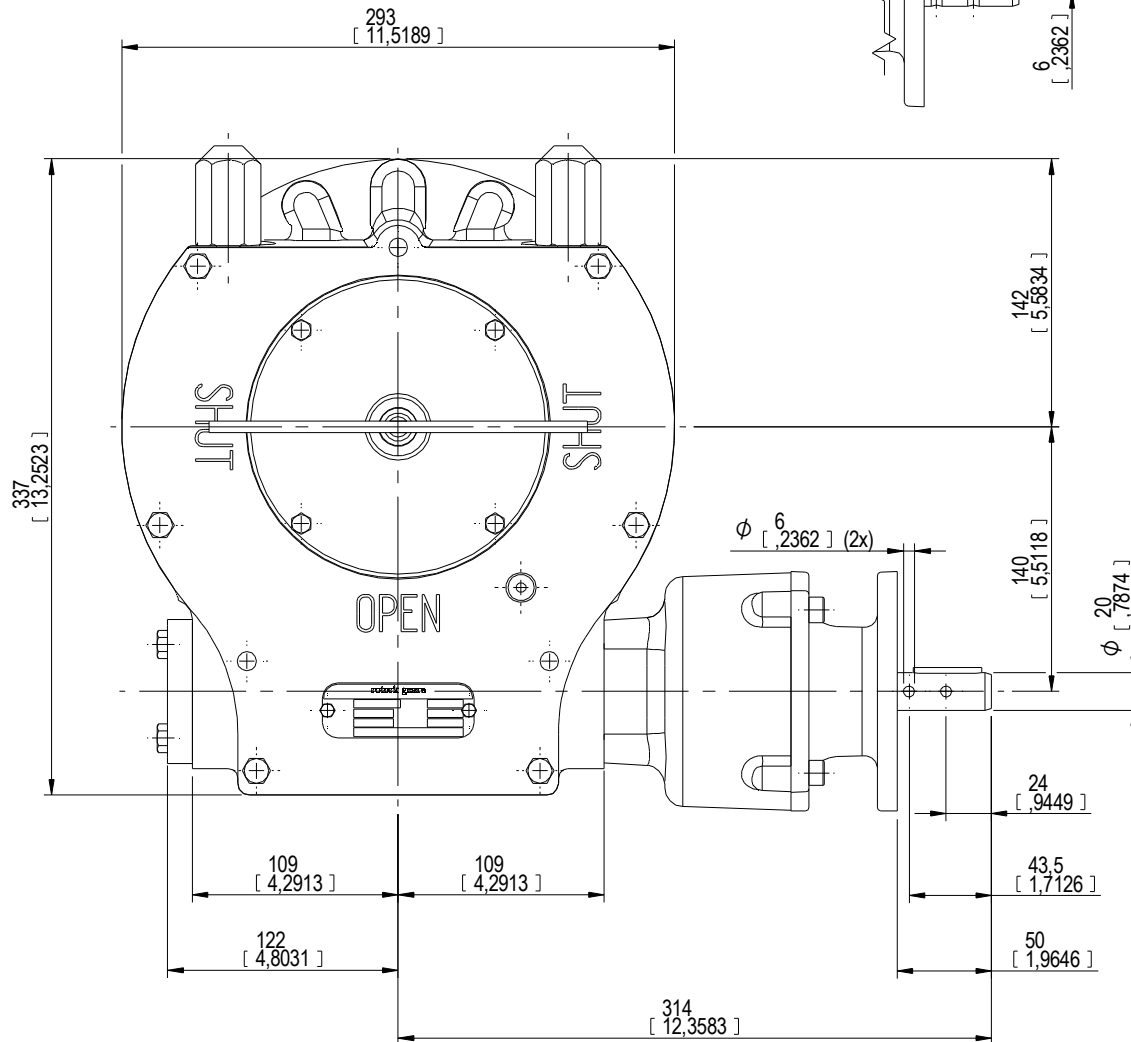
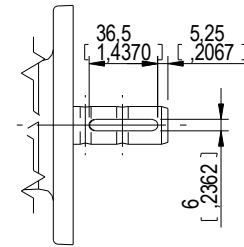


DESCRIPTION		MOUNTING HOLES - BOLT CIRCLE (OFF CENTRES)				BORE; STEM ACCEPTANCE WITH KEYWAY IN ACCORDING WITH STANDARD			TORQUE					
RATIO	TURNS TO CLOSE	TRAVEL (1/4 TURN)	WEIGHT	NR of HOLES	MIN ENVELOPE PCD - ØHOLE	MAX ENVELOPE PCD + ØHOLE	ACCORDING TO ISO 5211 / MSS SP-101	MIN	MAX	STANDARD	OUTPUT	INPUT	MA	
348:1	87	-5° TO 95°	51 kg	4	Ø165 mm	Ø254 mm	F16	Ø35 mm	Ø100 mm	□75 mm	ISO 773 A	11000 Nm	104 Nm	106 ± 15%
				8	Ø165 mm	Ø254 mm	F25							
			112 lb	4	Ø6.50 inch	Ø10.0 inch	FA16	Ø1.38 inch	Ø3.94 inch	□2.95 inch	ANSI B17.1	97.358 lbf.in	918 lbf.in	
				8	Ø6.50 inch	Ø10.0 inch	FA25							

AS PART OF CONTINUOUS PRODUCT DEVELOPMENT, ALL DETAILS SUBJECT TO CHANGE WITHOUT PRIOR NOTICE. FOR UP TO DATE DETAILS PLEASE VISIT www.rotork.com



	Document type		DETAIL DRAWINGS		Title	
			Dimensions in mm [inch] Scale 1:2		GEARBOX E 3000 G / PR6 SUBSEA	
Created	Robbin.Goszen	19-3-2013	Drawing Number		Rev	
Checked	Niels Middel	19-3-2013	AB-00173-OUT-1		00	
Approved	Niels Middel	19-3-2013	Sheet 1 of 1		Size	AZ

This drawing is confidential and is the property of Rotork Gears and must not be reproduced either wholly or partly. All rights in respect of patents, designs and copyrights are reserved. © 2013
www.rotork.com