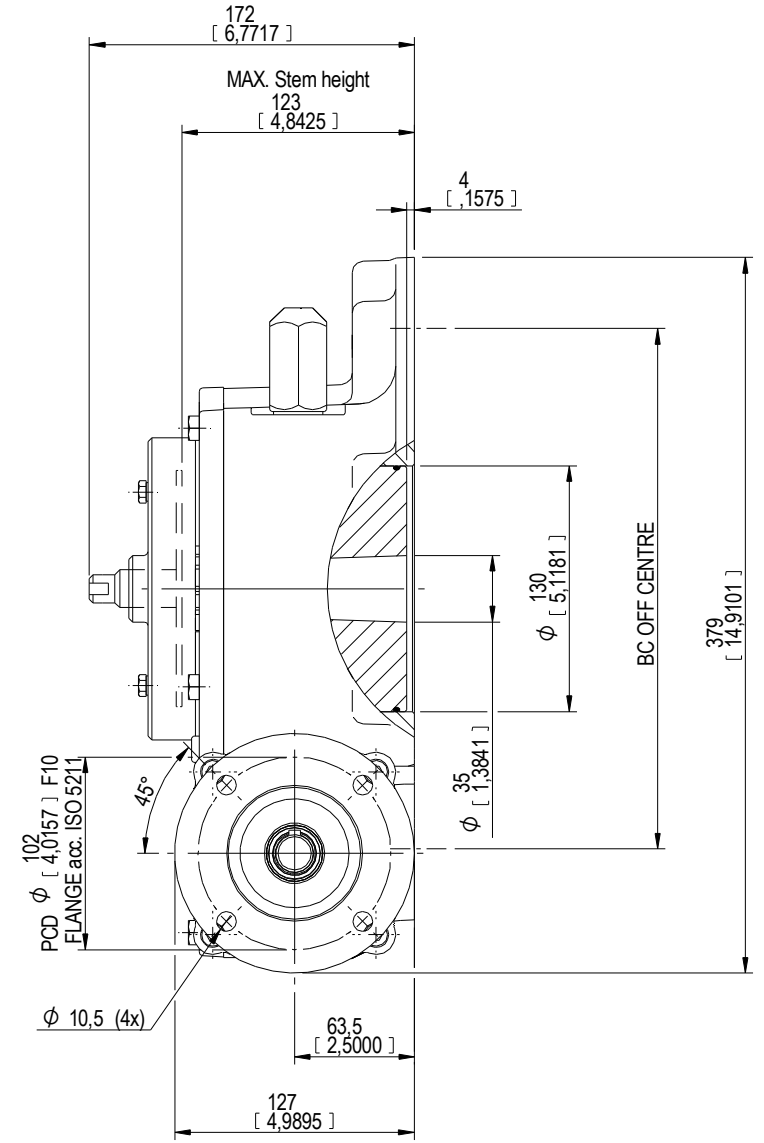
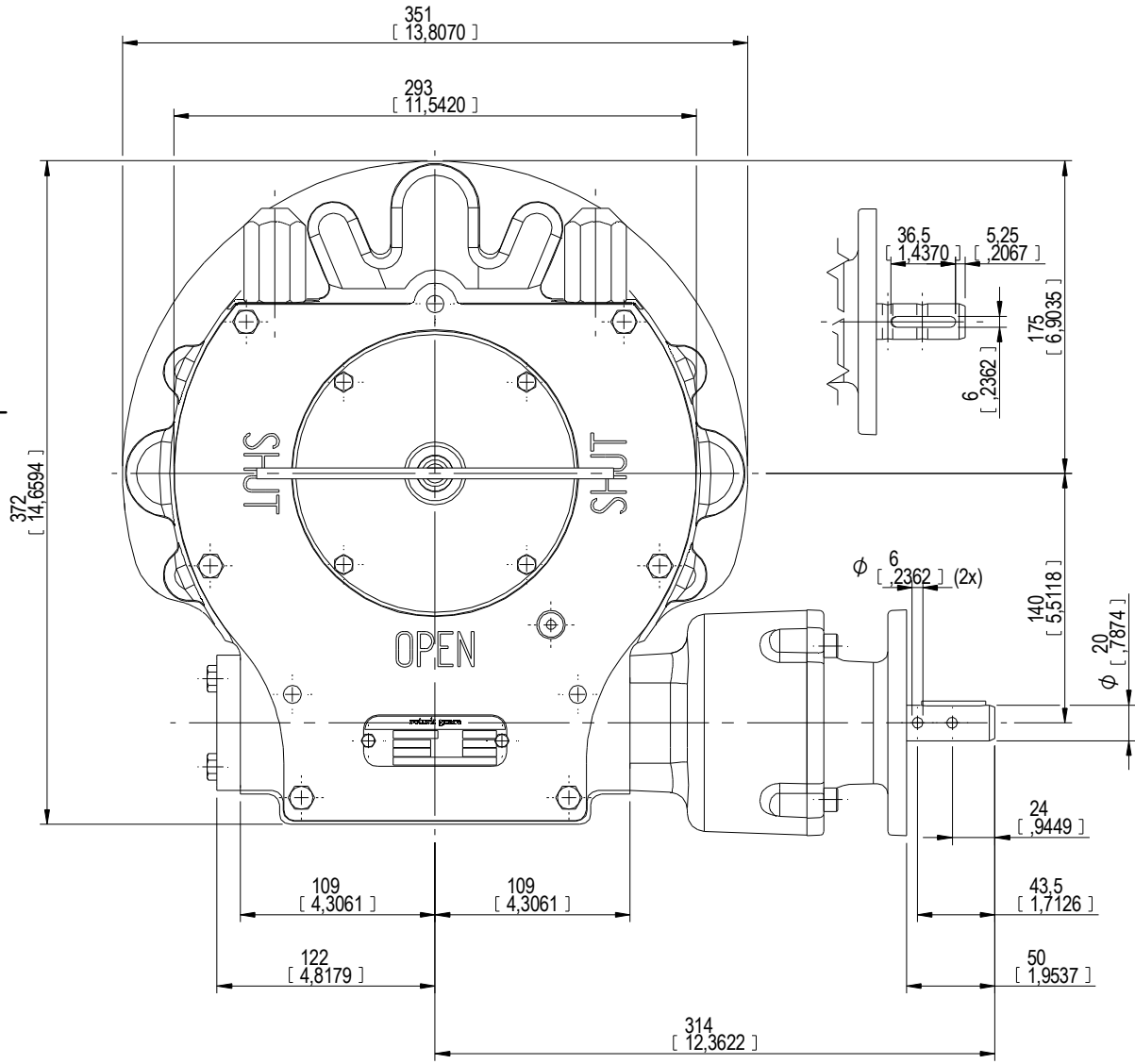


DESCRIPTION		MOUNTING HOLES - BOLT CIRCLE (OFF CENTRES)				BORE; STEM ACCEPTANCE WITH KEYWAY IN ACCORDING WITH STANDARD			TORQUE						
RATIO	URNS TO CLOSE	TRAVEL (1/4 TURN)	WEIGHT	NR of HOLES	MIN ENVELOPE PCD - ØHOLE	MAX ENVELOPE PCD + ØHOLE	ACCORDING TO ISO 5211 / MSS SP-101	MIN	MAX	STANDARD	OUTPUT	INPUT	MA		
243:1	61	-5° TO 95°	55.7 kg 123 lb	4	Ø275 mm	Ø318 mm	-	Ø35 mm	Ø100 mm	□75 mm	ISO 773 A	9000 Nm	111 Nm	81 ± 15%	
				8	Ø275 mm	Ø318 mm	F30								
				4	Ø10.83 inch	Ø12.52 inch	-								
				8	Ø10.83 inch	Ø12.52 inch	FA30								
AS PART OF CONTINUOUS PRODUCT DEVELOPMENT, ALL DETAILS SUBJECT TO CHANGE WITHOUT PRIOR NOTICE. FOR UP TO DATE DETAILS PLEASE VISIT www.rotork.com															



rotork
LOSSER - THE NETHERLANDS
www.rotork.com

This drawing is confidential and is the property of Rotork Gears and must not be reproduced either wholly or partly. All rights in respect of patents, designs and copyrights are reserved. © 2013

Document type	DETAIL DRAWINGS		Title	GEARBOX E 3000 G / PR4 SUBSEA	
	Scale 1:2		LARGE BASE		
Created	Robbin Goosen	18-3-2013	Drawing Number	AB-00182-OUT-1	
Checked	Henk Hoff	18-3-2013	Rev	00	
Approved	Henk Hoff	18-3-2013	Sheet 1 of 1	Size	AZ