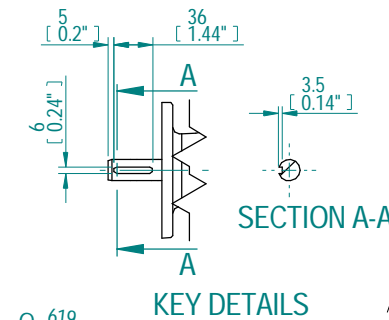
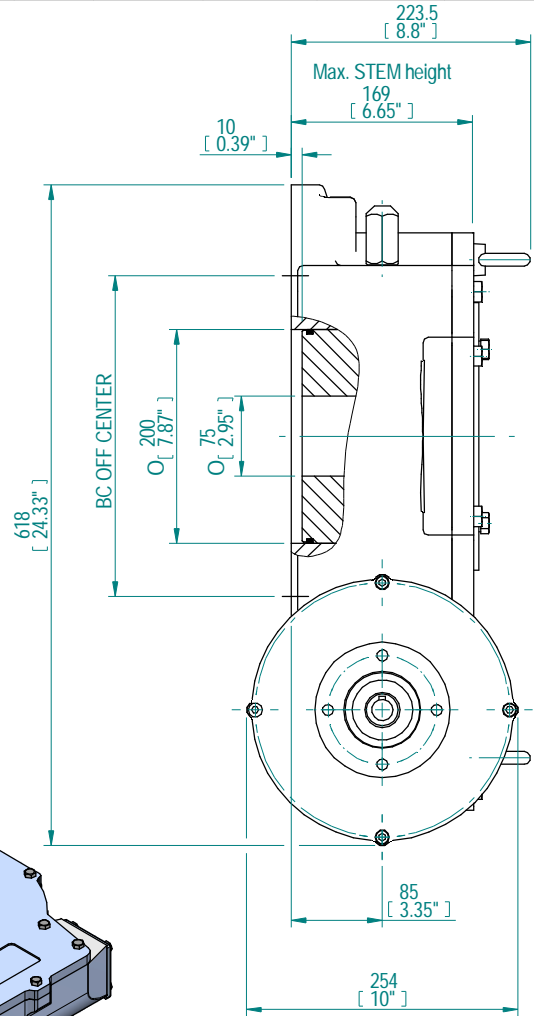
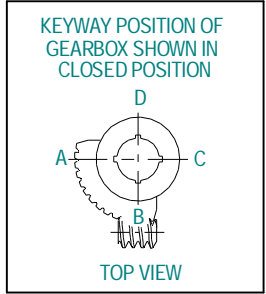
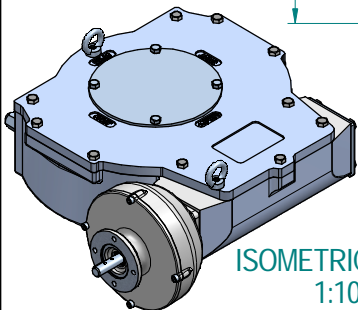
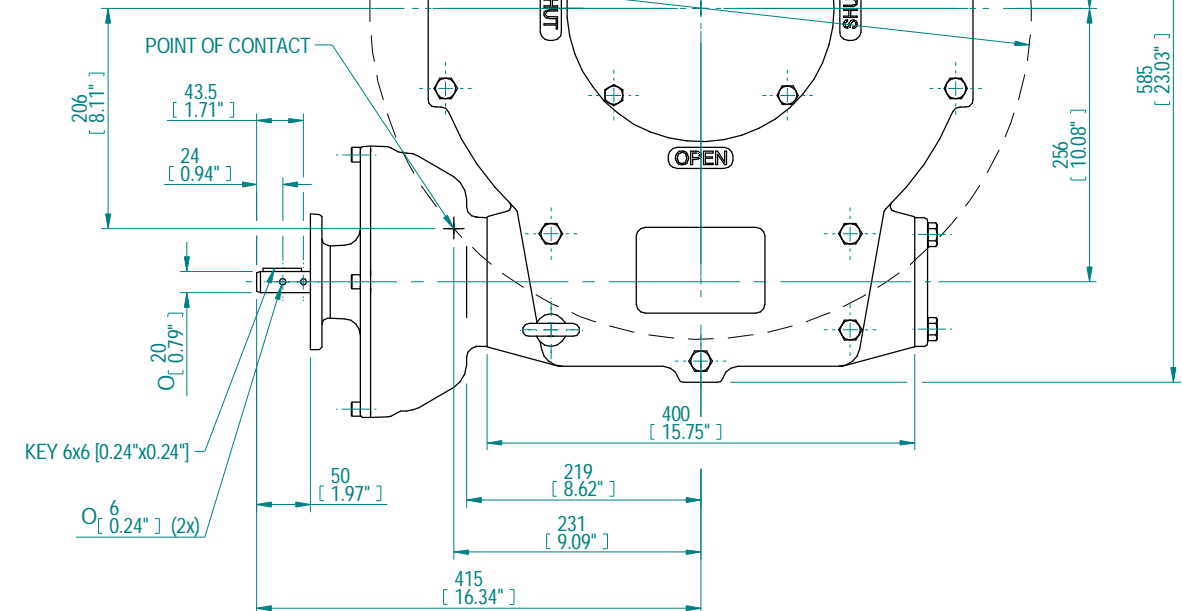


DESCRIPTION				MOUNTING HOLES - BOLT CIRCLE OFF CENTRES				BORE; STEM ACCEPTANCE WITH KEYWAY IN ACCORDING WITH STANDARD			TORQUE		
RATIO	URNS TO CLOSE	TRAVEL (1/4 TURN)	WEIGHT	NR of HOLES	MIN ENVELOP PCD - ØHOLE	MAX ENVELOP PCD + ØHOLE	ACCORDING TO ISO 5211 / MSS SP-101	MIN	MAX	STANDARD	OUTPUT	INPUT	MA
729:1	182.25	-5° TO 95°	219.4 kg	4	N.A.	N.A.	N.A.	Ø 75 mm	Ø 160 mm	DIN 6885-1	32000 Nm	142 Nm	225 u 15%
			484 lbs	8	Ø 204 mm	Ø 465mm	F25-F30-F35-F40	Ø 2.95 inch	Ø 6.30 inch	ANSI B17.1	283224 lbf.in.	1259 lbf.in.	
				4	N.A.	N.A.	N.A.						
				8	Ø 8.03 inch	Ø 18.30 inch	FA25-FA30-FA35-FA40						



Ø 619 [24.37"]
MAX VALVE DIAMETER BEFORE CLASH



AS PART OF CONTINUOUS PRODUCT DEVELOPMENT, ALL DETAILS SUBJECT TO CHANGE WITHOUT PRIOR NOTICE. FOR UP TO DATE DETAILS PLEASE VISIT www.rotork.com

 LOSSER - THE NETHERLANDS www.rotork.com	Document type DETAIL DRAWING		Title E250G WITH A PR10 BU RH PLANETARY GEARBOX-PR10	
	Dimensions in mm Scale 1:5		Drawing Number E250G-PR10 BU RH	
Created	N.M	6-11-2013	Rev A	
Checked	PRABUD	8-11-2013	Sheet 1 of 1 Size A3	
Approved				

Rev	CN	Revised	Approved	08/11/2013	FIRST ISSUE
				Date	Change Description