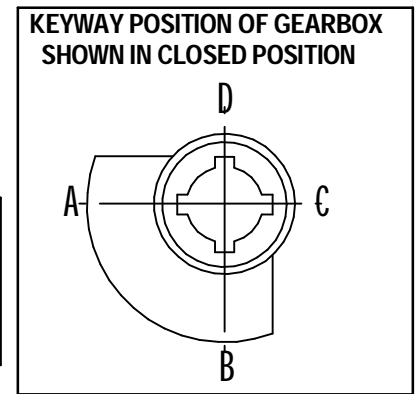


FLANGE TYPE acc. ISO 5211		
TYPE	KEY	A
F10	6x6 [0.24x0.24]	ø20 [0.79]

DESCRIPTION:
 TRAVEL : -5° TO 95° adjustable
 RATIO : 729 : 1
 TURNS TO CLOSE : 182.25
 WEIGHT : 219.4kg. (482.7 lb.) Excl. handwheel

MOUNTING HOLES :
 BOLT CIRCLE : min. Ø 254 [10.00]
 (OFF CENTER) max. Ø 406 [15.98]
 acc. ISO 5211 : F25-F30-F35-F40
 MIN. bore Quadrant : Ø 75 [2.95]
 MAX. bore Quadrant : ∇ 115 [4.53] or Ø 160 [6.30]

TORQUE :
 max. OUTPUT : 32000 Nm (283224 lbf.in.)
 max. INPUT : 142 Nm (1259 lbf.in.)
 MA : 225.0 ± 15%



DIMENSIONS IN MM[INCH]

ROTORK GEARS

GEARBOX E250G-PR10 BU

DRAWN: Robbin Goosen CHECKED: Henk Hoff
 DWG: E250G-PR10 BU REV: 01