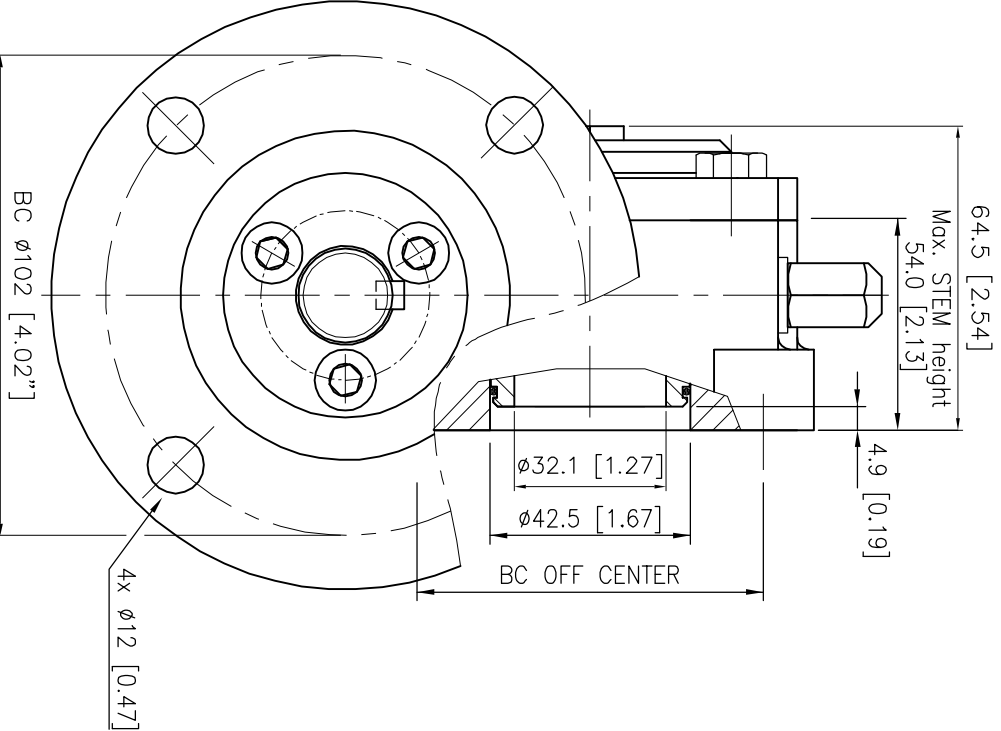
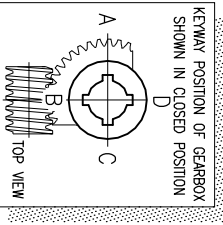


Suitable for insert 07 serie

**DESCRIPTION**  
 TRAVEL : 90° ±5° AT BOTH ENDS.  
 RATIO : 37 : 1  
 TURNS TO CLOSE : 9.25  
 WEIGHT : 4 kg.(8.8 lb.) excl.handwheel

**MOUNTINGHOLES**  
 BOLT CIRCLE : min.  $\phi 50$  [1.97]  
 (OFF CENTER) max.  $\phi 102$  [4.02]  
 acc. ISO 5211 : F05 - F07 - F10  
 BORE : min.8.4[0.33] max. $\phi 20$ [0.79] #17[0.67]

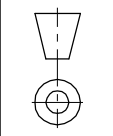
**TORQUE**  
 max.OUTPUT : 500 Nm (4425 lbf.in.)  
 max.INPUT : 43 Nm (381 lbf.in.)  
 M.A. : 11.6 ±15%



Dimensions in MM [inch]

**rotork gears**  
 Nijverheidstroet 25  
 72581 PV Losser  
 The Netherlands

**GEARBOX E 215 G / F10**



Drawn : N.M  
 Date : 22-06-06  
 Dwg Nr.: D15G1-011  
 Rev.: 01