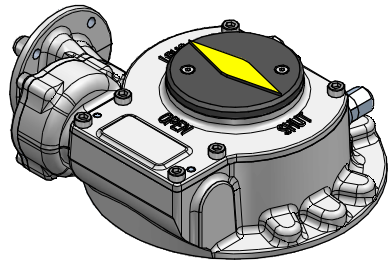
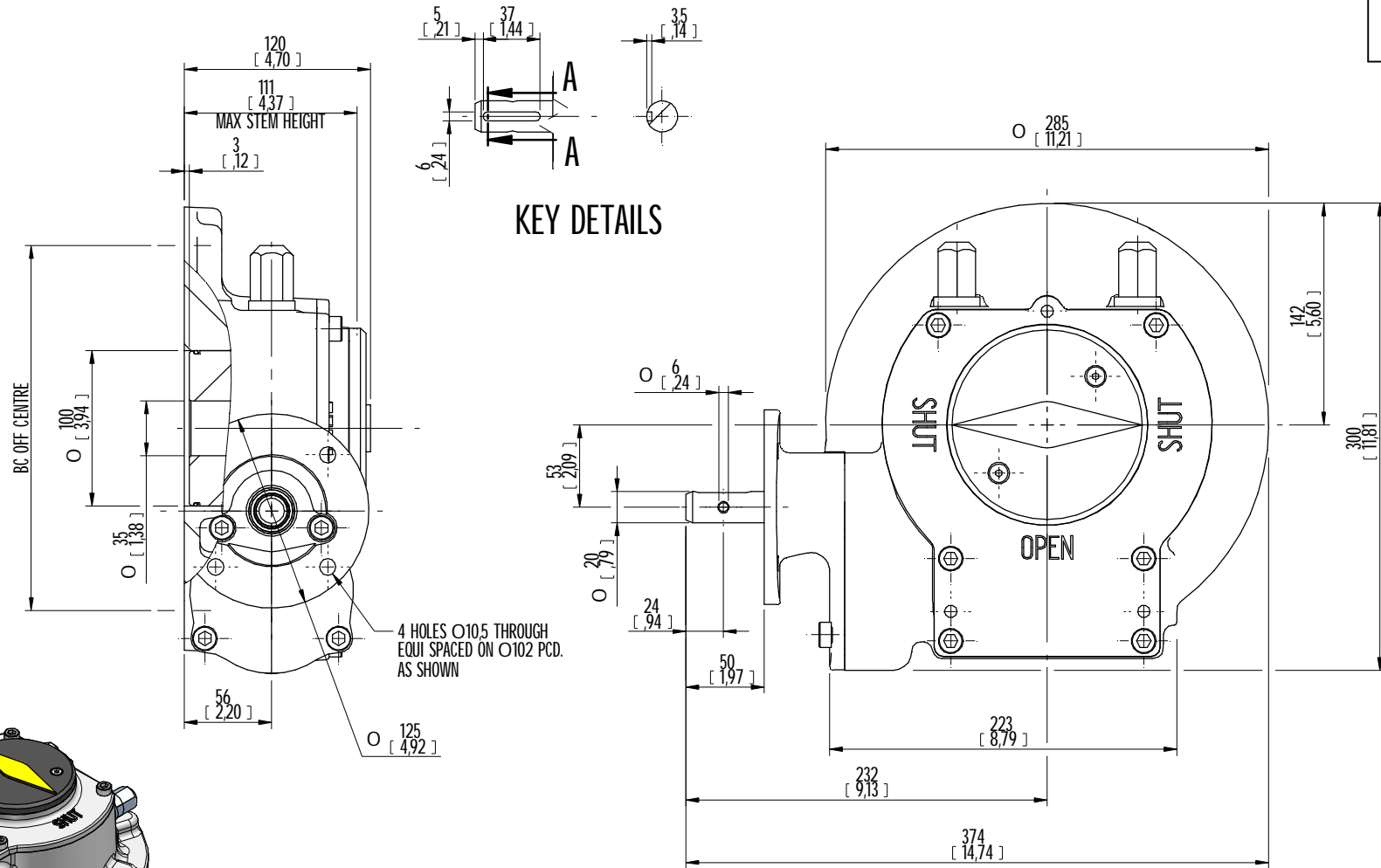
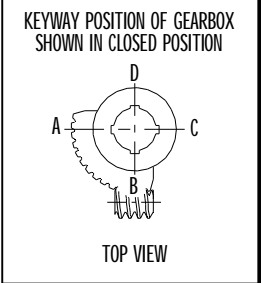


| DESCRIPTION | | | | MOUNTING HOLES - BOLT CIRCLE (OFF CENTRES) | | | BORE: STEM ACCEPTANCE WITH KEYWAY IN ACCORDING WITH STANDARD | | | TORQUE | | | |
|-------------|----------------|-------------------|--------|--|-----------------|-----------------|--|--------|--------|-----------|---------|--------|----------|
| RATIO | TURNS TO CLOSE | TRAVEL (1/4 TURN) | WEIGHT | NR of HOLES | MIN PCD - ØHOLE | MAX PCD + ØHOLE | ACCORDING TO ISO 5211 / MSS SP-101 | MIN | MAX | STANDARD | OUTPUT | INPUT | MA |
| 109:1 | 27 | -5° TO 95° | 31 kg | 4 | Ø 145 mm | Ø 185 mm | F16 | Ø35 mm | Ø90 mm | ISO 773 A | 4500 Nm | 136 Nm | 33 ± 15% |
| | | | | 8 | Ø188 mm | Ø270 mm | F25 | | | | | | |
| | | | 68 lbs | 4 | Ø 5.709 inch | Ø 7.283 inch | FA16 | | | | | | |
| | | | | 8 | Ø7.40 inch | Ø10.62 inch | FA25 | | | | | | |

AS PART OF CONTINUOUS PRODUCT DEVELOPMENT, ALL DETAILS SUBJECT TO CHANGE WITHOUT PRIOR NOTICE. FOR UP TO DATE DETAILS PLEASE VISIT www.rotork.com



ISOMETRIC VIEW
1:5

| | | | | |
|----------|-------------------------------------|--------------|---|--|
| | Document type DETAIL DRAWING | | Title E2000 E2000 W-TYPE ASSEMBLY F25 BASE, RH PROJECTION WITH E-FLANGE | |
| | Dimensions in mm Scale 1:3 | | Drawing Number E2000W RH LB | |
| Created | M R | 14-12-2012 | Rev A | |
| Checked | P LINE | 28-2-2013 | Sheet 1 of 3 Size A3 | |
| Approved | - | DD-1111-YYYY | | |

| Rev | CN | Revised | Approved | Date | Change Description |
|-----|----|---------|----------|--------------|--------------------|
| 00 | | | | DD-1111-YYYY | FIRST ISSUE |

Rev 01