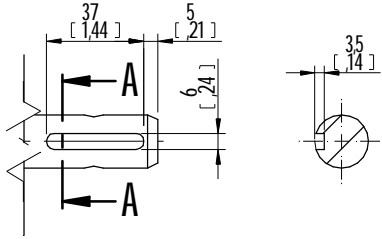
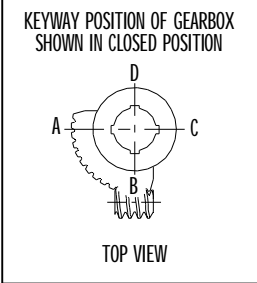
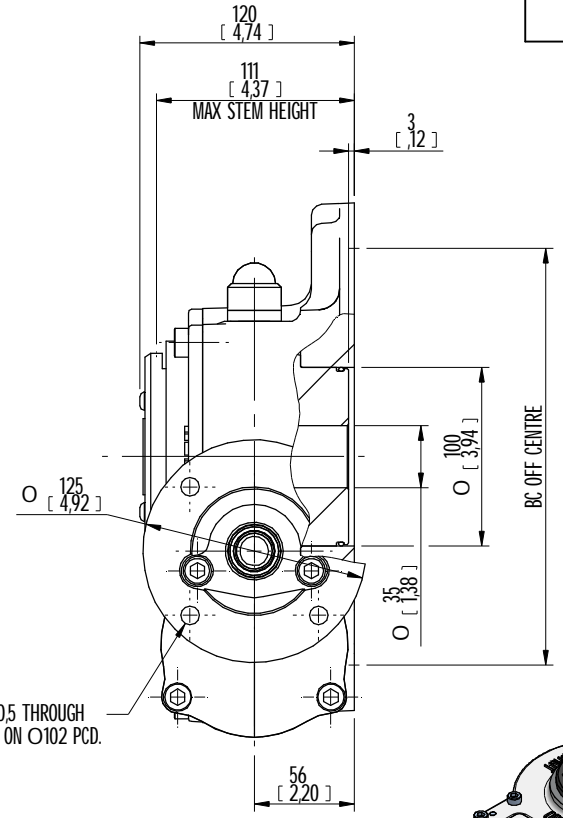
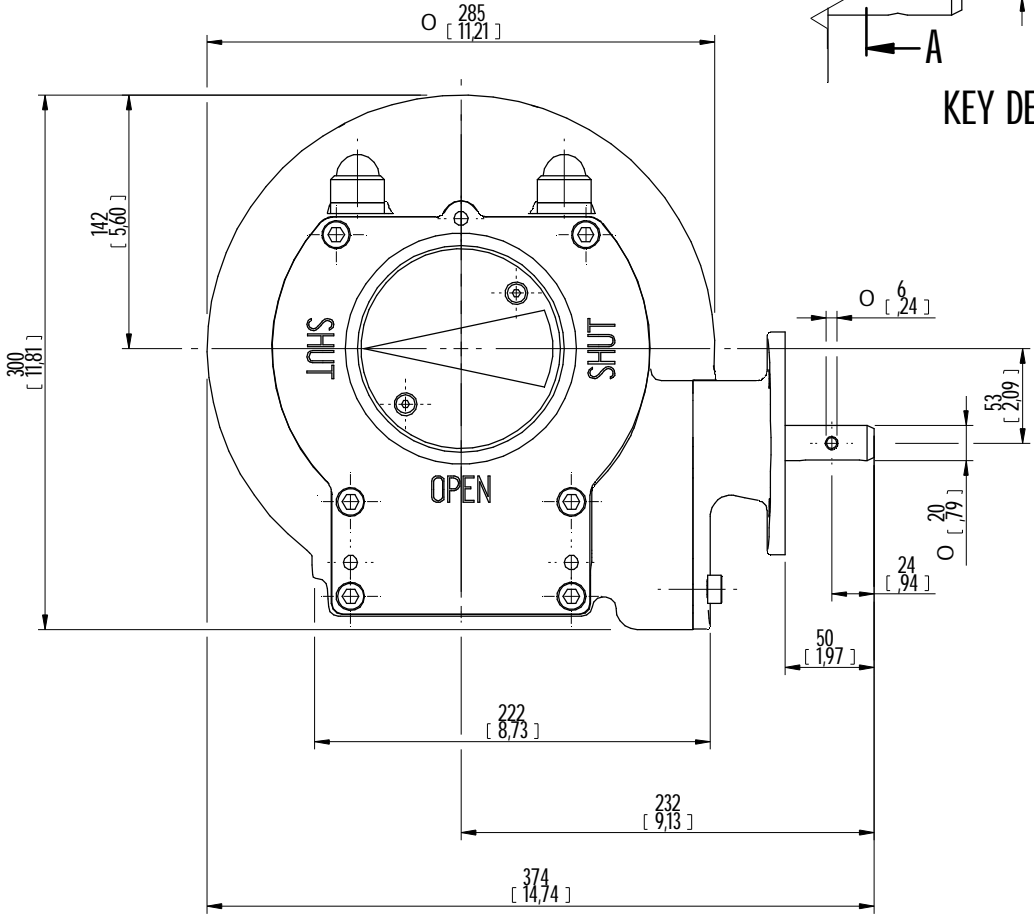


DESCRIPTION				MOUNTING HOLES - BOLT CIRCLE (OFF CENTRES)			BORE: STEM ACCEPTANCE WITH KEYWAY IN ACCORDING WITH STANDARD			TORQUE			
RATIO	TURNS TO CLOSE	TRAVEL (1/4 TURN)	WEIGHT	NR of HOLES	MIN PCD - ØHOLE	MAX PCD + ØHOLE	ACCORDING TO ISO 5211 / MSS SP-101	MIN	MAX	STANDARD	OUTPUT	INPUT	MA
109:1	27	-5° TO 95°	28 kg	4	Ø 145 mm	Ø 185 mm	F16	Ø35 mm	Ø90 mm	ISO 773 A	4500 Nm	136 Nm	33 ± 15%
			62 lbs	8	Ø188 mm	Ø270 mm	F25						
				4	Ø 5.709 inch	Ø 7.283 inch	FA16						
				8	Ø7.40 inch	Ø10.62 inch	FA25						

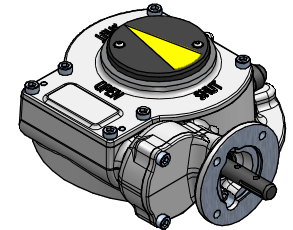
AS PART OF CONTINUOUS PRODUCT DEVELOPMENT, ALL DETAILS SUBJECT TO CHANGE WITHOUT PRIOR NOTICE. FOR UP TO DATE DETAILS PLEASE VISIT www.rotork.com



KEY DETAILS



4 HOLES Ø10.5 THROUGH EQUI SPACED ON Ø102 PCD. AS SHOWN



ISOMETRIC VIEW
1:6

	Document type DETAIL DRAWING		Title E2000N AB2000 STANDARD ASSEMBLY F25 BASE, LH PROJECTION WITH E-FLANGE	
	Dimensions in mm Scale 1:3		Drawing Number E2000N LH LB	
Created VIGNESH G	7-1-2013	Rev A		
Checked P LINE	26-2-2013	Sheet 1 of 3 Size A3		
Approved -	DD-MM-YYYY			

DD-MMM-YYYY	FIRST ISSUE				
Rev	CN	Revised	Approved	Date	Change Description

Rev 01