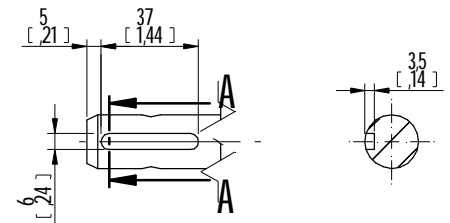
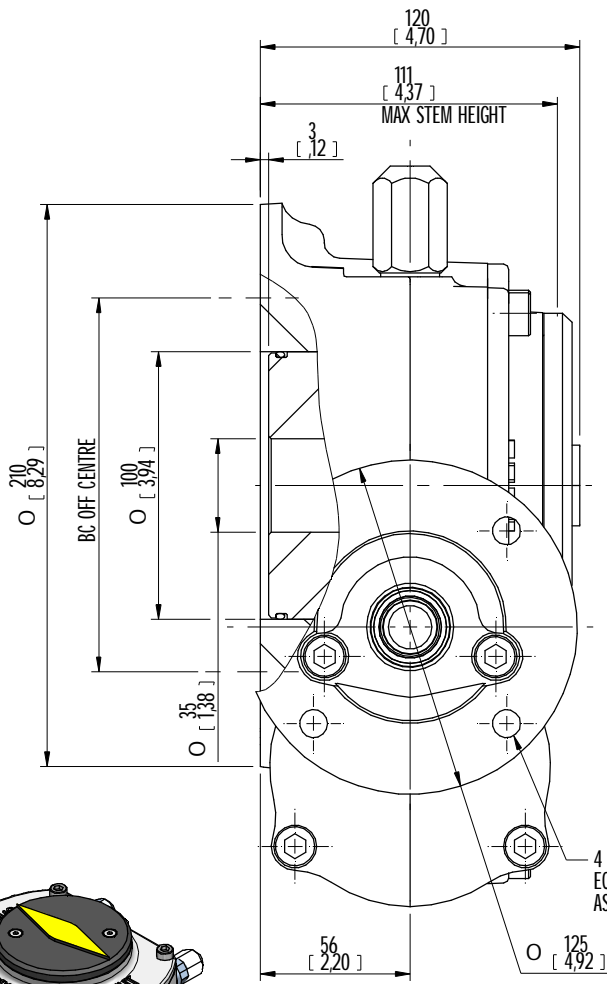
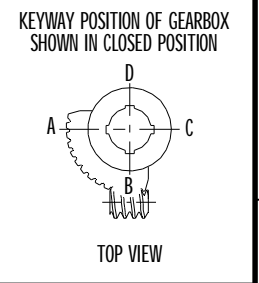
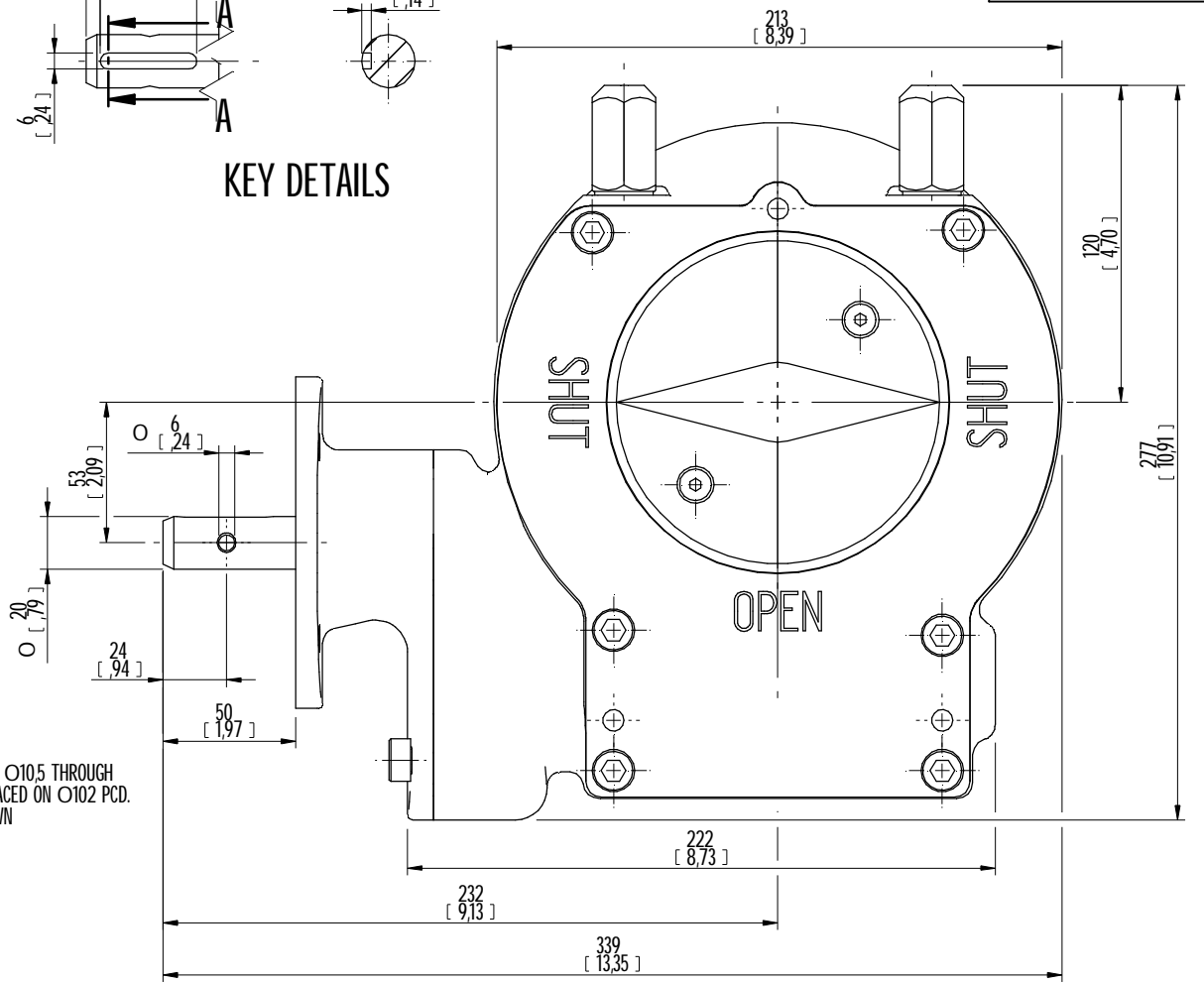


DESCRIPTION				MOUNTING HOLES - BOLT CIRCLE (OFF CENTRES)			BORE: STEM ACCEPTANCE WITH KEYWAY IN ACCORDING WITH STANDARD			TORQUE			
RATIO	TURNS TO CLOSE	TRAVEL (1/4 TURN)	WEIGHT	NR OF HOLES	MIN PCD - ØHOLE	MAX PCD + ØHOLE	ACCORDING TO ISO 5211 - F14 - F16	MIN	MAX	STANDARD	OUTPUT	INPUT	MA
109:1	27	-5° TO 95°	28 kg	4	Ø104 mm	Ø195 mm	F12 - F14 - F16	Ø35 mm	Ø80 mm	ISO 773 A	4500 Nm	136 Nm	33 ± 15%
				8	N.A.	N.A.							
			61 lbs	4	Ø4.09 inch	Ø7.67 inch	FA12 - FA14 - FA16						
				8	N.A.	N.A.							

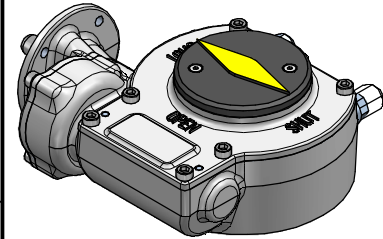
AS PART OF CONTINUOUS PRODUCT DEVELOPMENT, ALL DETAILS SUBJECT TO CHANGE WITHOUT PRIOR NOTICE. FOR UP TO DATE DETAILS PLEASE VISIT [www.rotork.com](http://www.rotork.com)



KEY DETAILS



4 HOLES Ø10,5 THROUGH EQUI SPACED ON Ø102 PCD. AS SHOWN



ISOMETRIC VIEW  
1:5

	Document type <b>DETAIL DRAWING</b>		Title <b>E2000</b> <b>E2000 G-TYPE ASSEMBLY F16 BASE, RH PROJECTION WITH E-FLANGE</b>	
	Dimensions in mm Scale 1:2		Drawing Number <b>E2000G RH</b>	
Created <b>M R</b>	13-12-2012	Drawing Number <b>E2000G RH</b>		Rev <b>A</b>
Checked <b>P LINE</b>	28-2-2013	Sheet <b>1</b> of <b>3</b>		Size <b>A3</b>
Approved <b>-</b>	DD-1111-YYYY	Sheet <b>1</b> of <b>3</b>		Size <b>A3</b>

© This drawing is confidential and is the property of Rotork Gears and must not be reproduced either wholly or partly. All rights in respect of patents, designs and copyrights are reserved. ©2012

LOSSER - NETHERLANDS  
[www.rotork.com](http://www.rotork.com)

OO	Rev	CN	Revised	Approved	DD-MMM-YYYY	DATE	FIRST ISSUE	CHANGE DESCRIPTION

Rev 01