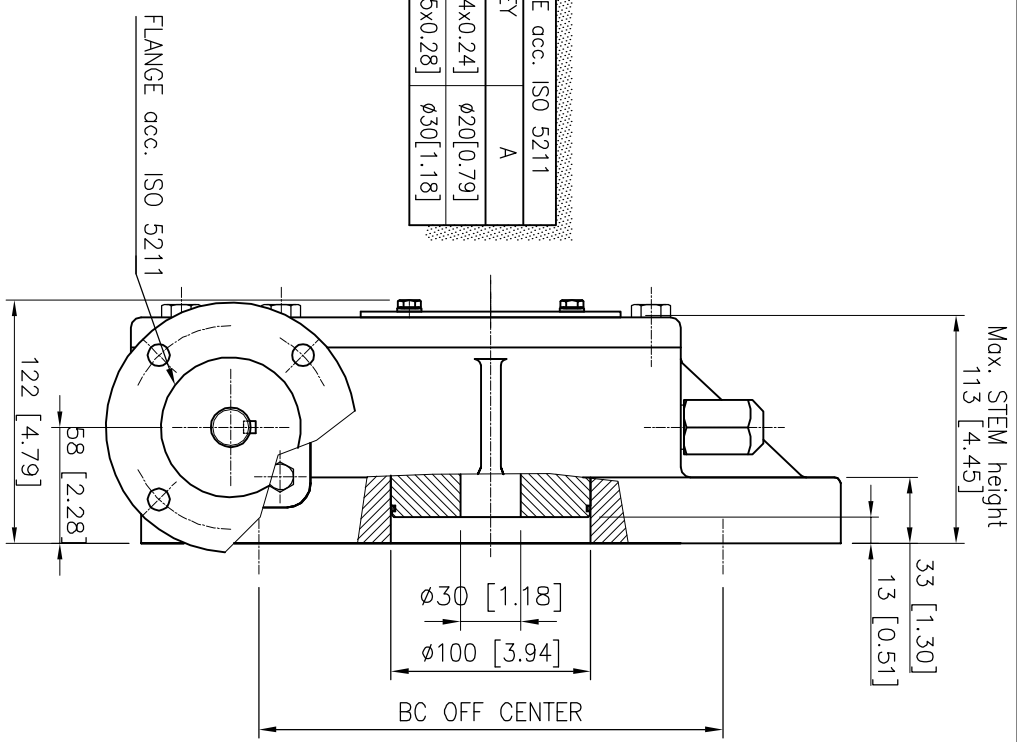


FLANGE TYPE acc. ISO 5211			
type	KEY	A	
F10	6x6 [0.24x0.24]	ø20[0.79]	
F14	8x7 [0.35x0.28]	ø30[1.18]	



**DESCRIPTION**

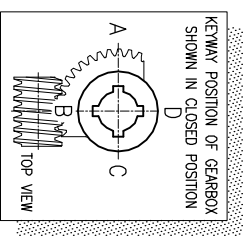
TRAVEL : 90° ±5° AT BOTH ENDS.  
 RATIO : 52 : 1  
 TURNS TO CLOSE : 13  
 WEIGHT : 44.7kg.(98.5lb.) excl.handwheel

**MOUNTINGHOLES**

BOLT CIRCLE : min. ø125 [4.92]  
 (OFF CENTER) max. ø298 [11.73]  
 acc. ISO 5211 : F12-F14-F16-F25-F30  
 BORE : min.30[1.18] max.ø80[3.15] #60[2.36]

**TORQUE**

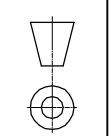
max.OUTPUT : 5500 Nm (48679 lb.f.in.)  
 max.INPUT : 289 Nm (2562 lb.f.in.)  
 M.A. : 19 ±15%



Dimensions in MM [inch]

**rotork gears**  
 Nijverheidstraat 25  
 7561 LA, Loosdrecht  
 The Netherlands

**GEARBOX E 1950G F10-F14 BU LB**



Drawn : P.VH Date : 28-01-09  
 Dwg Nr.: 1950G F10-F14 BU LB Rev.: 01