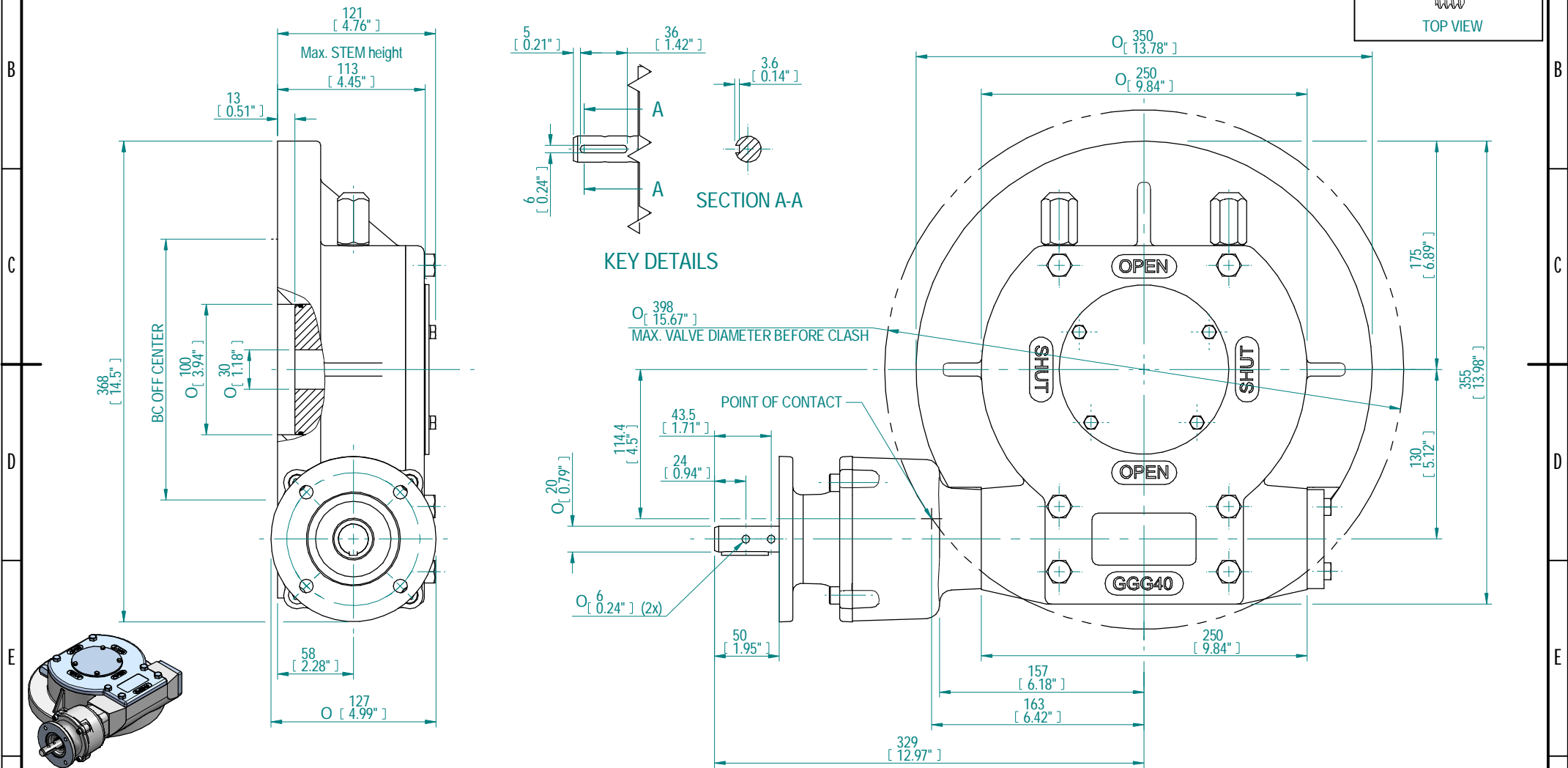
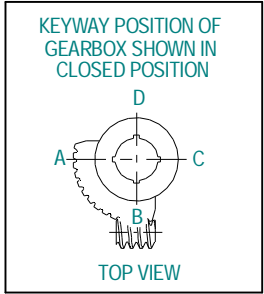


DESCRIPTION				MOUNTING HOLES - BOLT CIRCLE OFF CENTRES				BORE; STEM ACCEPTANCE WITH KEYWAY IN ACCORDING WITH STANDARD			TORQUE		
RATIO	TURNS TO CLOSE	TRAVEL (1/4 TURN)	WEIGHT	NR of HOLES	MIN ENVELOP PCD - ØHOLE	MAX ENVELOP PCD + ØHOLE	ACCORDING TO ISO 5211 / MSS SP-101	MIN	MAX	STANDARD	OUTPUT	INPUT	MA
217:1	54.25	-5° TO 95°	52 kg	4	Ø 104 mm	Ø 340 mm	F12-F14-F16	Ø 30 mm	Ø 80 mm	DIN 6885-1	7000 Nm	106 Nm	66.0u 15%
				8	Ø 104 mm	Ø 340 mm	F25-F30						
			115 lbs	4	Ø 4.09 inch	Ø 13.39 inch	FA12-FA14-FA16	Ø 1.18 inch	Ø 3.15 inch	ANSI B17.1	61955 lbf.in.	1221 lbf.in.	
				8	Ø 4.09 inch	Ø 13.39 inch	FA25-FA30						



AS PART OF CONTINUOUS PRODUCT DEVELOPMENT, ALL DETAILS SUBJECT TO CHANGE WITHOUT PRIOR NOTICE. FOR UP TO DATE DETAILS PLEASE VISIT [www.rotork.com](http://www.rotork.com)

 LOSSER - THE NETHERLANDS <a href="http://www.rotork.com">www.rotork.com</a>	Document type <b>DETAIL DRAWING</b>		Title <b>E1950G with PR4 AND TOPPLATE RH PLANETARY GEARBOX-PR4</b>	
	Dimensions in mm Scale 1:3		Drawing Number <b>E1950G-PR4 LB BU RH</b>	
Created	MD RIYAZ	13-11-2013	Rev	
Checked	PRABU D	14-11-2013	A	
Approved			Sheet 1 of 1 Size A3	

Rev.01

Rev	CN	Revised	Approved	Date	Change Description
A				14/11/2013	FIRST ISSUE