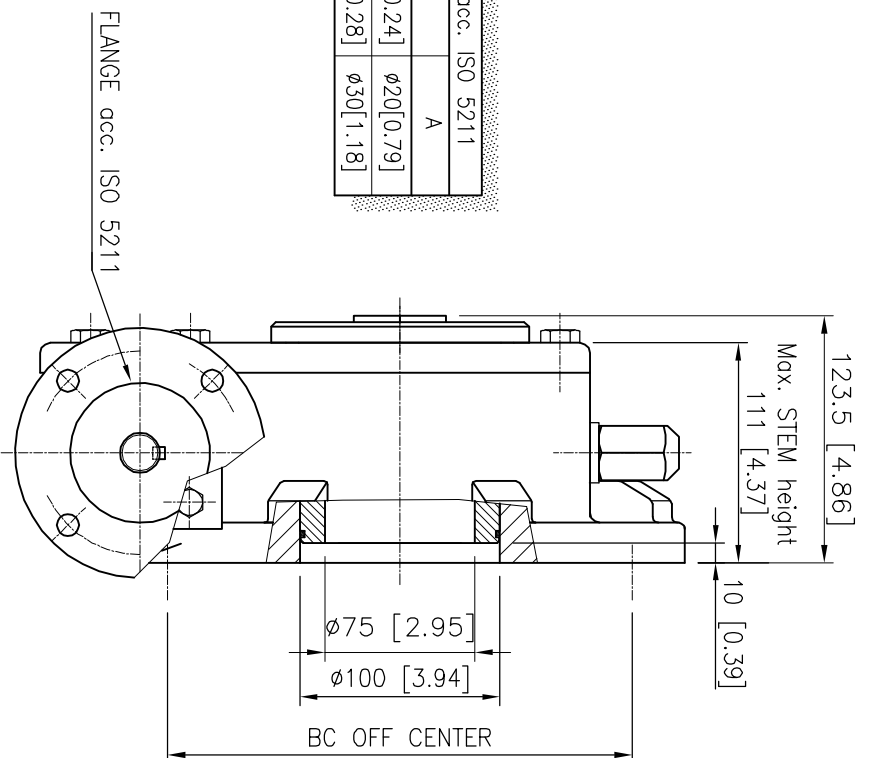


FLANGE TYPE acc. ISO 5211		KEY	A
F10	6x6 [0.24x0.24]	Ø20[0.79]	
F14	8x7 [0.35x0.28]	Ø30[1.18]	

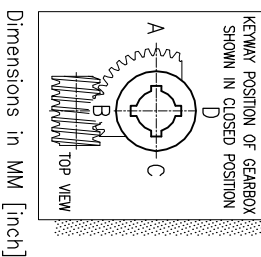


Suitable for insert 240 serie

DESCRIPTION
 TRAVEL : 90° ±5° AT BOTH ENDS.
 RATIO : 52 : 1
 TURNS TO CLOSE : 13
 WEIGHT : 37 kg.(81.5 lb.) excl.handwheel

MOUNTINGHOLES
 BOLT CIRCLE : min. Ø125 [4.92]
 (OFF CENTER) max. Ø254 [10.00]
 acc. ISO 5211 : F12-F14-F16-F25
 BORE : min.16[0.63] max.Ø55[2.05] #46[1.81]

TORQUE
 max.OUTPUT : 5500 Nm (48679 lbf.in.)
 max.INPUT : 289 Nm (2562 lbf.in.)
 M.A. : 19 ±15%

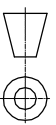


rotork gears

Nijverheidstraat 25
 7561 LA, Loosdrecht
 The Netherlands

GEARBOX E 1950 G / F10-F14

THIS DOCUMENT IS PROPERTY OF ROTORK GEARS. NEITHER THIS OR ITS CONTENT MAY BE COPIED OR USED IN ANY OTHER WAY DETRIMENTAL TO THE INTEREST OF ROTORK GEARS. ACCEPTANCE OF THIS DOCUMENT SHALL CONSTITUTE ACKNOWLEDGEMENT OF THE FOREGOING CONDITIONS



Drawn : N.M
 Dwg Nr.: D22G1-001

Date : 22-06-06
 Rev.: 01

Contents Subject to change without notice