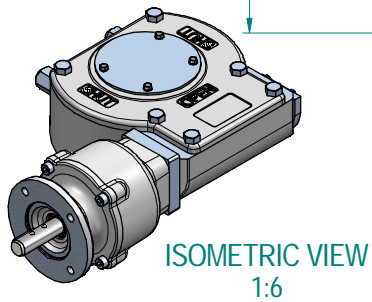
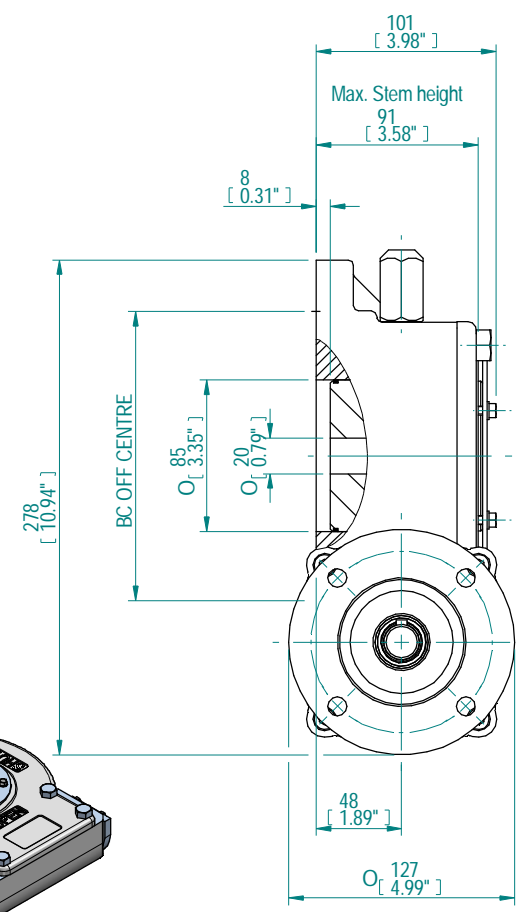
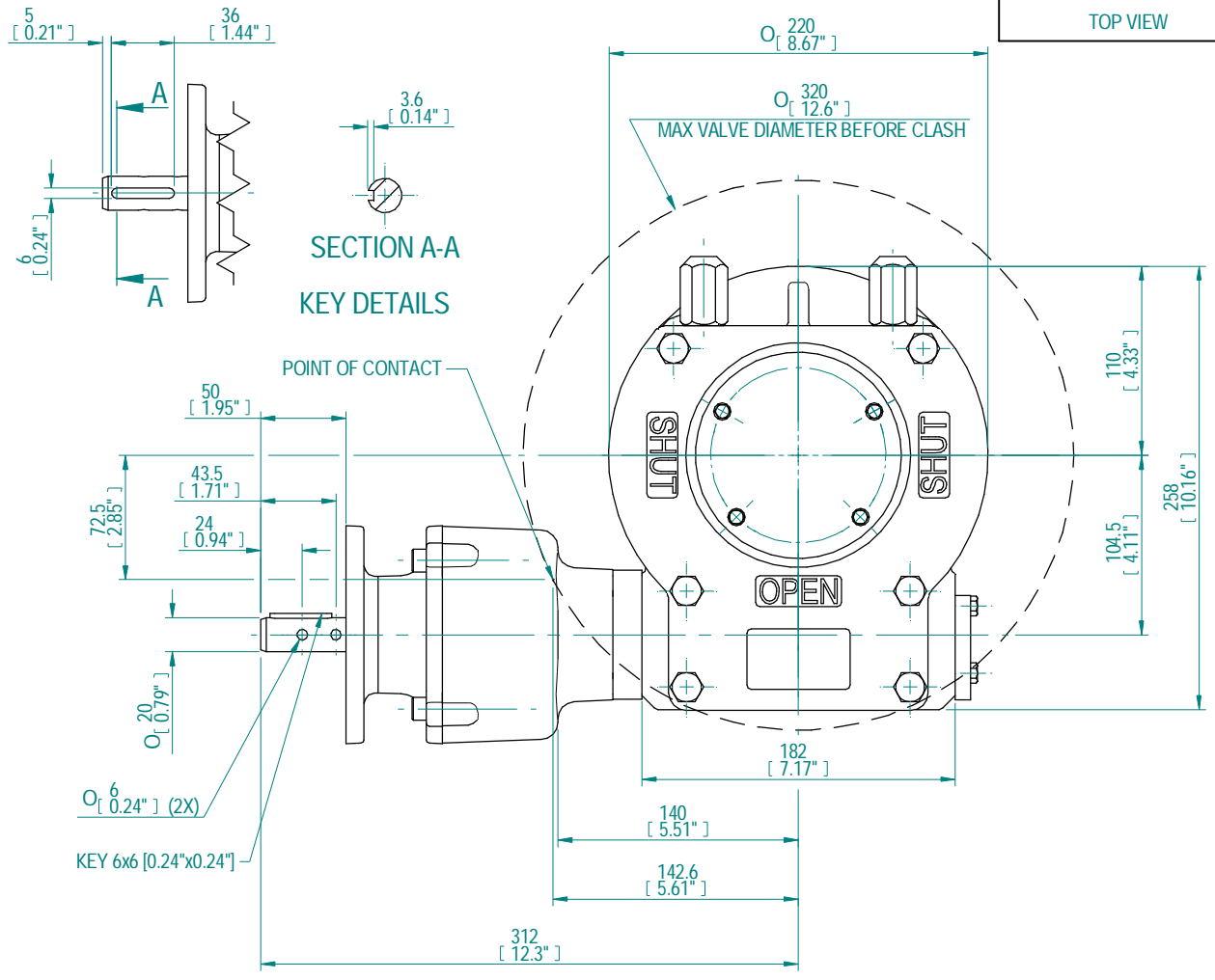
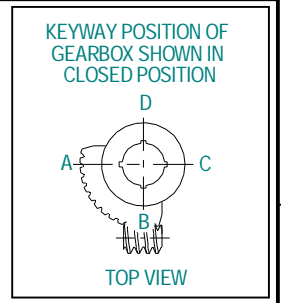


DESCRIPTION				MOUNTING HOLES - BOLT CIRCLE OFF CENTRES			BORE; STEM ACCEPTANCE WITH KEYWAY IN ACCORDING WITH STANDARD			TORQUE			
RATIO	TURNS TO CLOSE	TRAVEL (1/4 TURN)	WEIGHT	NR of HOLES	MIN ENVELOP PCD - ØHOLE	MAX ENVELOP PCD + ØHOLE	ACCORDING TO ISO 5211 / MSS SP-101	MIN	MAX	STANDARD	OUTPUT	INPUT	MA
230:1	57.5	-5° TO 95°	27.5 kg	4	Ø 89 mm	Ø 215 mm	F10-F12-F14-F16	Ø 20mm	Ø 65 mm	DIN 6885-1	3250 Nm	49 Nm	66 u 15%
				8	N.A.	N.A.	N.A.						
			61 lbs	4	Ø 3.50 inch	Ø 8.46 inch	F10-F12-F14-F16	Ø 0.79 inch	Ø 2.56 inch	ANSI B17.1	28765 lbf.in.	434 lbf.in.	
				8	N.A.	N.A.	N.A.						



Rev	CN	Revised	Approved	Date	Change Description
A	-	-	-	11/11/2013	FIRST ISSUE

AS PART OF CONTINUOUS PRODUCT DEVELOPMENT, ALL DETAILS SUBJECT TO CHANGE WITHOUT PRIOR NOTICE. FOR UP TO DATE DETAILS PLEASE VISIT www.rotork.com

rotork Gears
LOSSER - THE NETHERLANDS
www.rotork.com

This drawing is confidential and is the property of Rotork Gears and must not be reproduced either wholly or partly. All rights in respect of patents, designs and copyrights are reserved. © 2013

Document type	DETAIL DRAWING		Title	E1250G WITH PR4 AND TOPPLATE RH PLANETARY GEARBOX-PR4
Created	N.M	11-11-2013	Drawing Number	E1250G-PR4 BU RH
Checked	PRABUD	11-11-2013	Rev	A
Approved			Sheet	1 of 1 Size A3

Rev.01