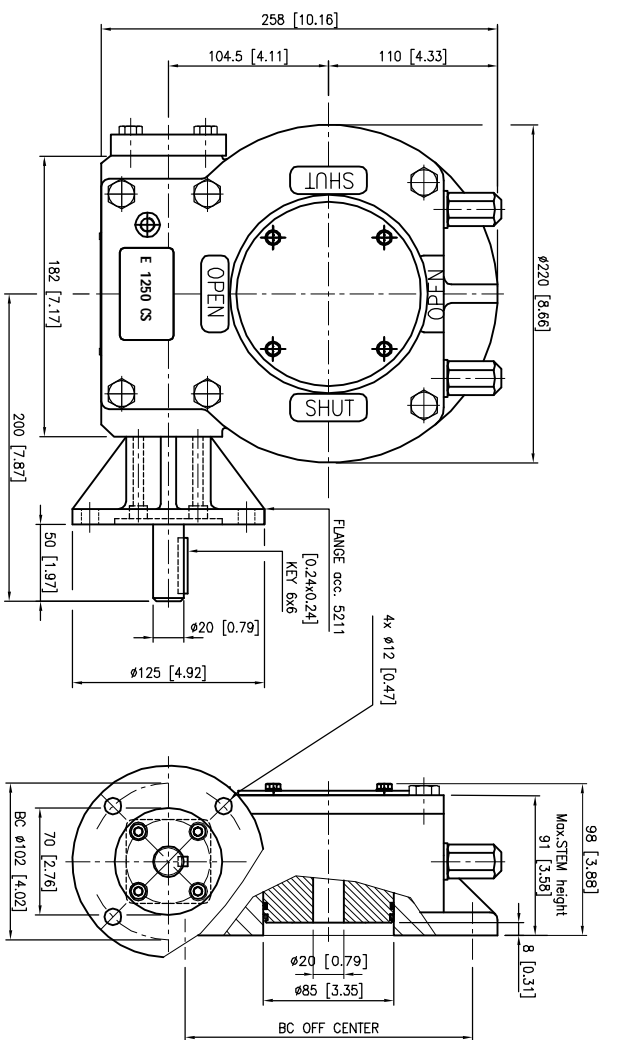


MOVING INDICATOR

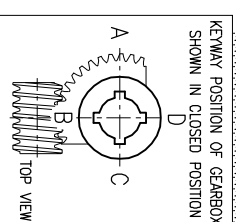


NON MOVING INDICATOR

**DESCRIPTION**  
 TRAVEL : 90° ±5° AT BOTH ENDS.  
 RATIO : 55 : 1  
 TURNS TO CLOSE : 13.75  
 WEIGHT : 22 kg.(48.5 lb.) excl.handwheel

**MOUNTINGHOLES**  
 BOLT CIRCLE : min.  $\phi$ 102 [4.02]  
 (OFF CENTER) max.  $\phi$ 165 [6.50]  
 acc. ISO 5211 : F10-F12-F14-F16  
 BORE : min.20[0.79] max.85[2.56] #50[1.97]

**TORQUE**  
 max.OUTPUT : 3250 Nm (28765 lbf.in.)  
 max.INPUT : 171 Nm (1514 lbf.in.)  
 M.A. : 19 ±15%



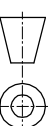
Dimensions in MM [inch]

**rotork gears**

Nijenheidestraat 25  
 72581 PV Losser  
 The Netherlands

**GEARBOX E 1250 CS F10 L**

THIS DOCUMENT IS PROPERTY OF ROTORK GEARS. NEITHER THIS OR ITS CONTENT MAY BE COPIED OR USED IN ANY OTHER WAY WITHOUT THE WRITTEN CONSENT OF ROTORK GEARS. IN THE INTEREST OF ROTORK GEARS, ASSESSMENT OF THIS DOCUMENT SHALL CONSTITUTE A KNOWLEDGEMENT OF THE PERSONS CONCERNED.



Drawn : B.H

Date : 20-07-2011

Dwg Nr.: E 1250 CS F10 L

Rev.: 00