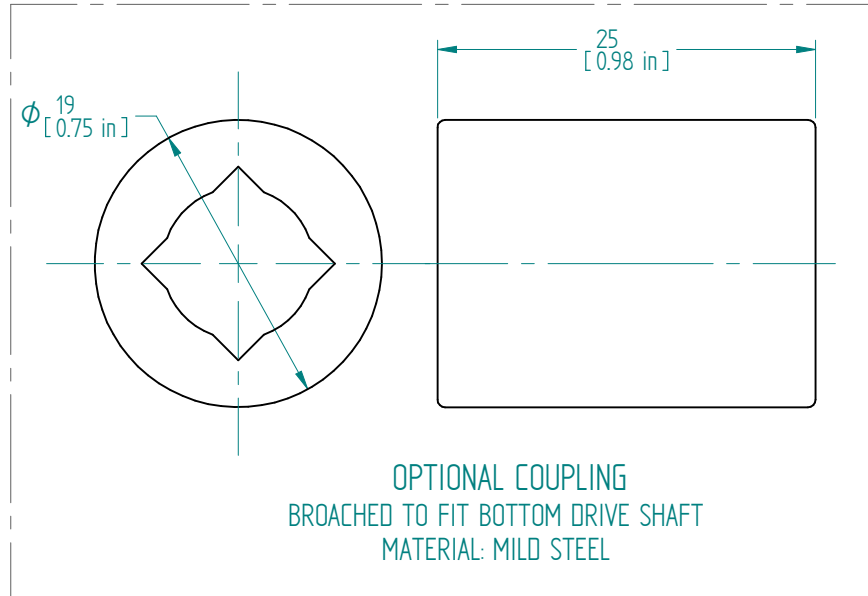


NOTES:

1. MAX. ALLOWABLE OPERATING PRESSURE (MAOP) = 7 BAR (100 PSIG)
2. WARNING - SEE ROTORK INSTALLATION, OPERATION & MAINTENANCE MANUAL BEFORE MOUNTING, INSTALLING OR SERVICING.
3. ACTUATOR SHOWN IN FULL CW POSITION, FLAT ON SHAFT SHOWS VANE LOCATION.
4. WEIGHT 0.5 KG (1.1 LB.)
5. RESTRICTED TRAVEL VERSIONS OPTIONAL

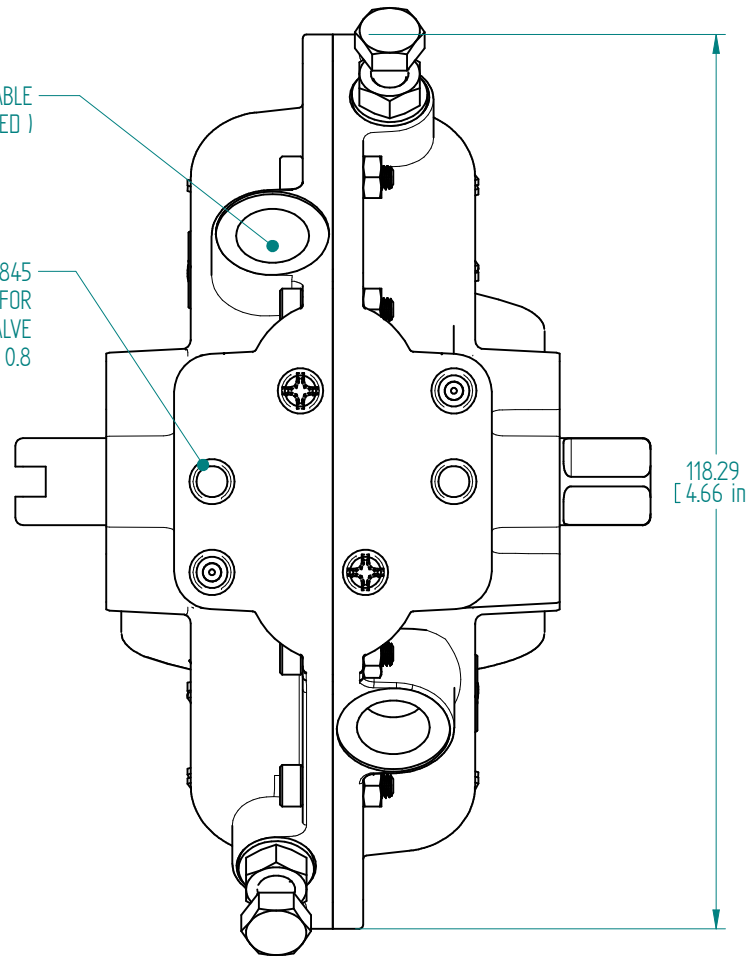
	IMPERIAL	METRIC
THREAD SIZE "A"	#10-24 UNC	M5 x 0.8
THREAD SIZE "B"	#8-32 UNC	M4 x 0.7
AIR PORT SIZE	1/8-27 NPT	G1/8



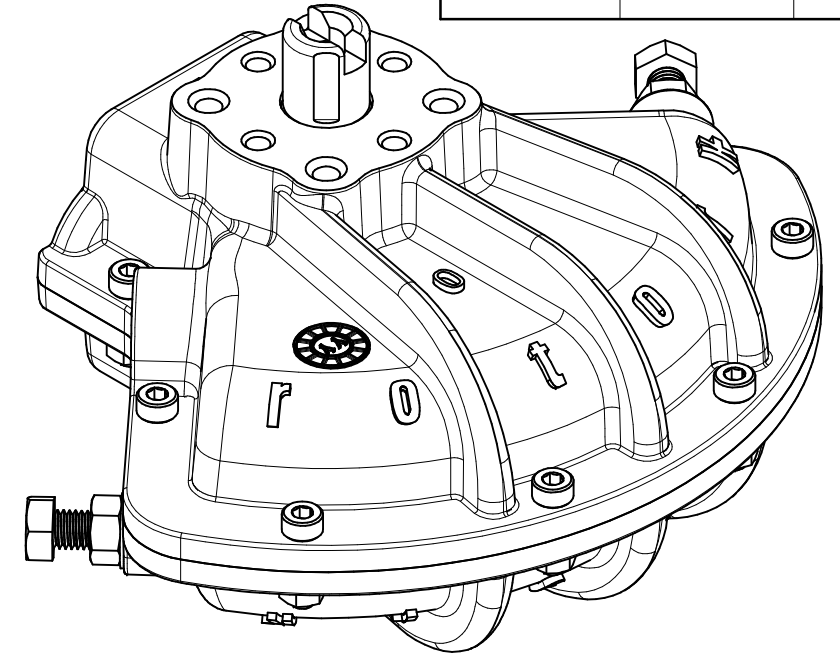
AIR PORTS SIZE SEE TABLE
(STAGGERED)

NAMUR VDI / VDE 3845
MOUNTING FOR
SOLENOID VALVE
M5 x 0.8

TOP

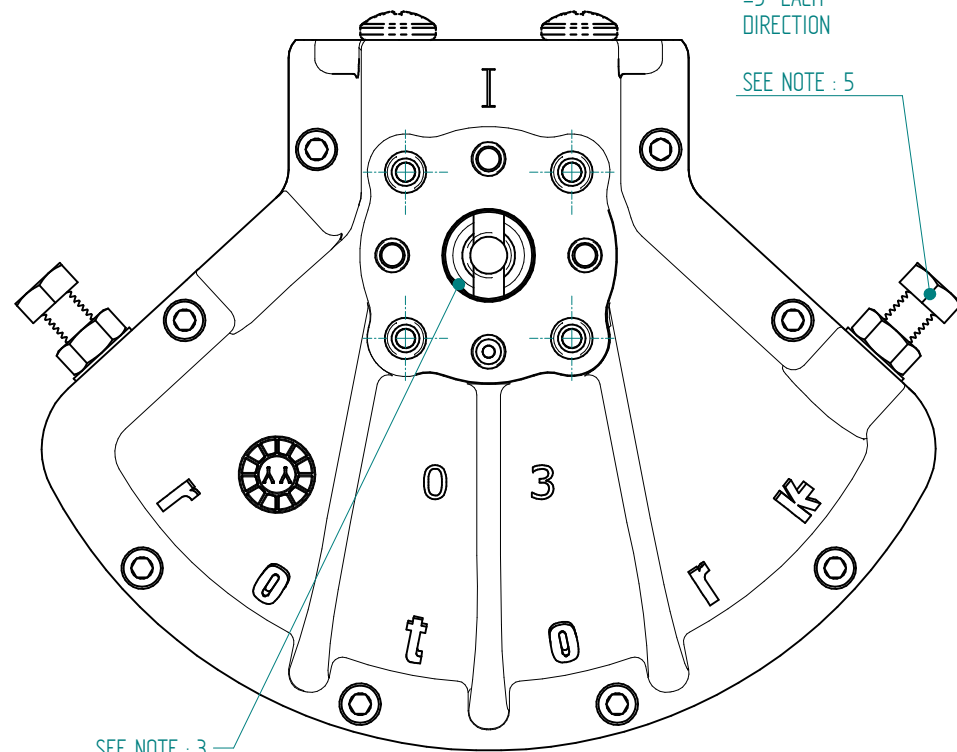


BOTTOM

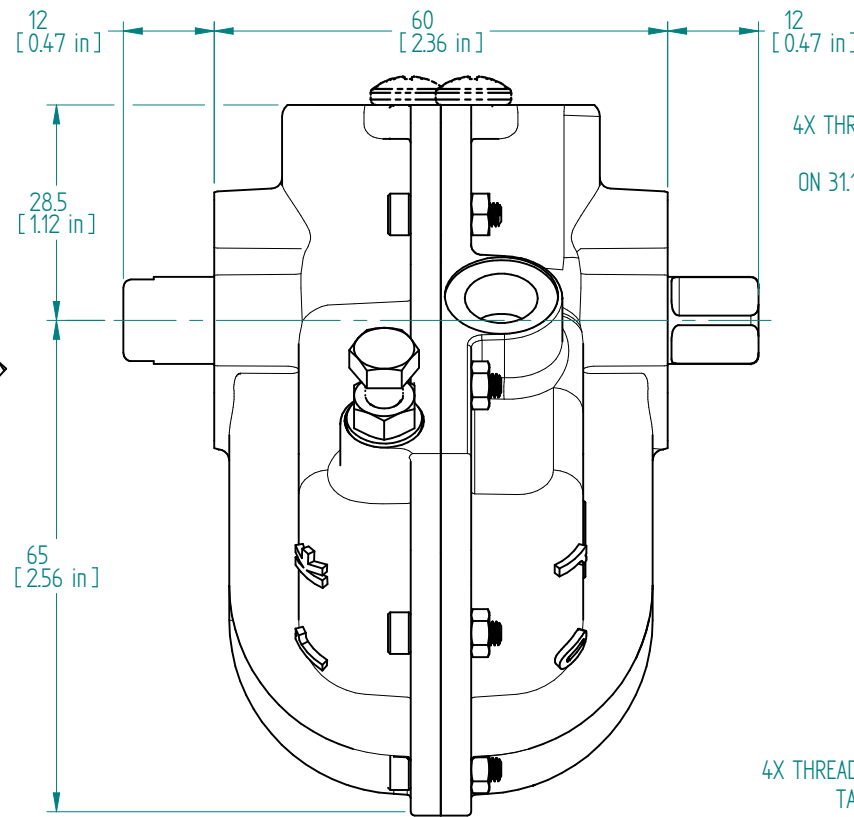


TRAVEL
ADJUSTMENT
±5° EACH
DIRECTION

SEE NOTE : 5



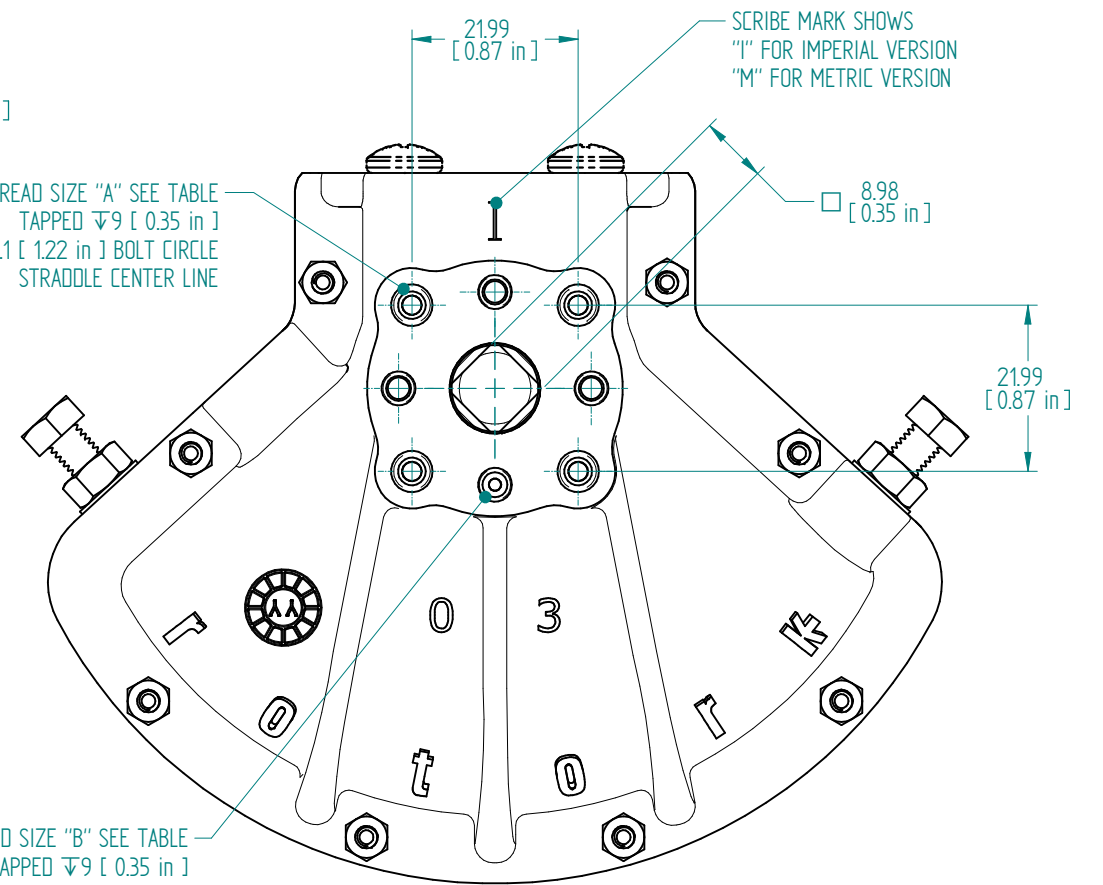
TOP



SIDE VIEW

4X THREAD SIZE "A" SEE TABLE
TAPPED $\varnothing 9$ [0.35 in]
ON 31.1 [1.22 in] BOLT CIRCLE
STRADDLE CENTER LINE

SCRIBE MARK SHOWS
"I" FOR IMPERIAL VERSION
"M" FOR METRIC VERSION



BOTTOM MOUNTING VIEW

4X THREAD SIZE "B" SEE TABLE
TAPPED $\varnothing 9$ [0.35 in]
ON 25.5 [1.00 in] BOLT CIRCLE AS SHOWN

SEE NOTE : 3

Rev	ECN	Revised	Approved	Date	Change Description
C		M.MCNICHOL	M.MCNICHOL	11-FEB-2016	CORRECTED NOTES FOR "A" & "B" IN THREAD TABLE
B		K.SEKAR	K.PRICE	14-JUL-2015	DESCRIPTION UPDATED
A		K.SEKAR	K.PRICE	12-JUN-2015	PRE RELEASE

<p>Dallas, Texas - USA www.rotork.com</p>	This drawing is confidential and is the property of Rotork Dallas Inc. and must not be reproduced either wholly or partly. All rights in respect of patents, designs and copyrights are reserved. © 2015		Document type GENERAL ARRANGEMENT	Title KT-03-DA IMPERIAL / METRIC AIR PORTS & MOUNTING HOLES
	Dimensions in mm Scale 1:1		Created K.SEKAR 12-JUN-2015	Drawing Number 000000260
	Checked S.SUDHIR 12-JUN-2015	Approved K.PRICE 12-JUN-2015	Sheet 1 of 1 Size A3	Rev C