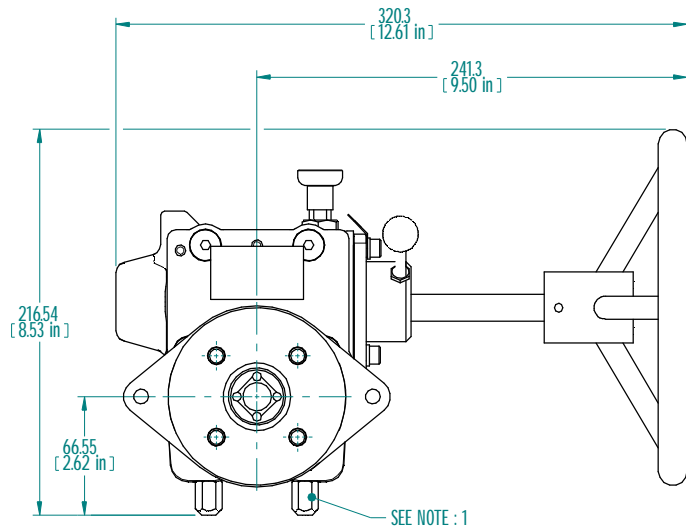
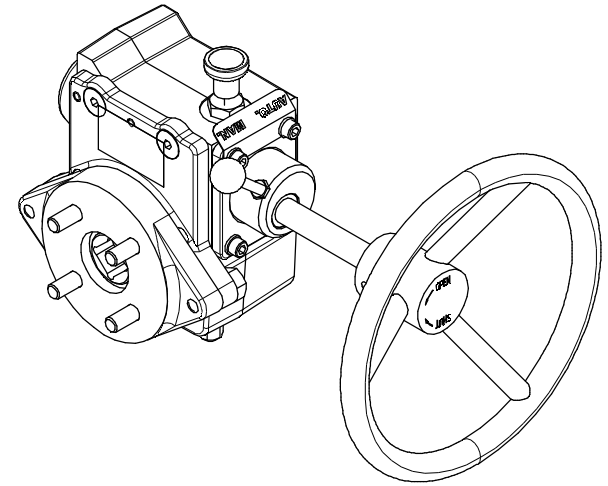
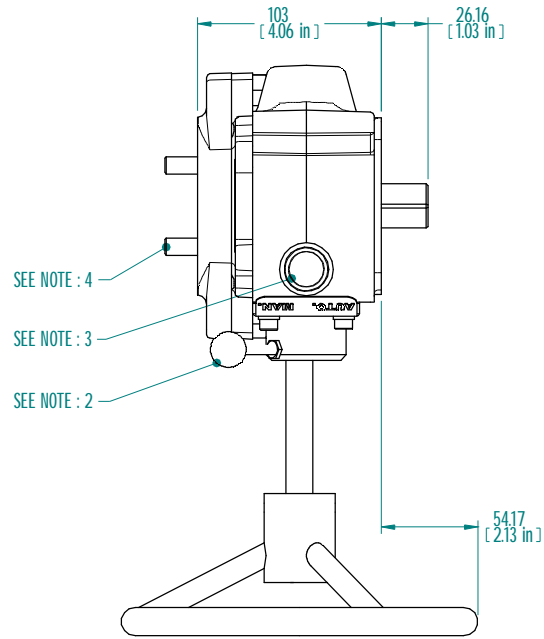
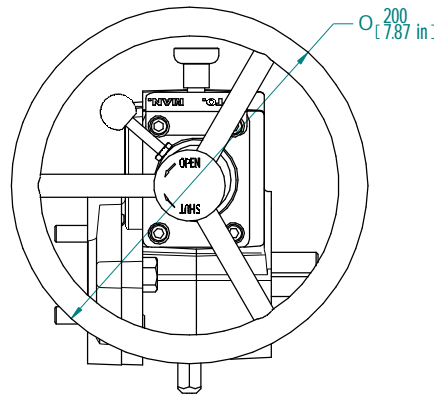


NOTES:

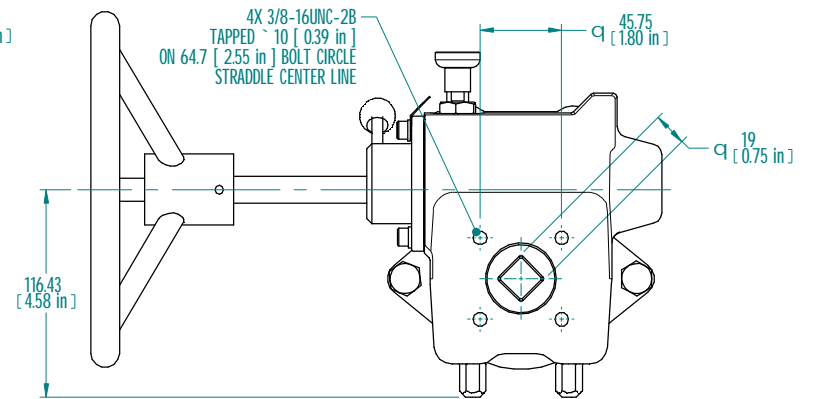
1. MECHANICAL STOPS, ADJUSTABLE
2. GEAR ENGAGEMENT LEVER
3. DECLUTCH PULL-PIN
4. MOUNTING BOLTS TO 20 ACTUATOR / SR
5. EST. WT. 9.27 kg (20.44 LB.)
6. ACTUATOR MAY BE REMOVED FROM AUTOMATED VALVE WHILE GEAR REMAINS ATTACHED TO OPERATE THE VALVE OR DAMPER.
7. AVAILABLE WITH ISO 5211 VALVE-SIDE MOUNT FLANGE AND FEMALE DRIVE - CONSULT ROTORK



ACTUATOR VIEW



SIDE VIEW



VALVE SIDE MOUNTING VIEW

B	K.SEKAR	K.PRICE	14-JUL-2015	DESCRIPTION UPDATED	
A	K.SEKAR	K.PRICE	12-JUN-2015	REDRAWN: SOLID EDGE 3D	
Rev	ECN	Revised	Approved	Date	Change Description

rotork This drawing is confidential and is the property of Rotork Dallas Inc. and must not be reproduced either wholly or partly. All rights in respect of patents, designs and copyrights are reserved. © 2015

Dallas, Texas - USA
www.rotork.com

Document type		GENERAL ARRANGEMENT		Title	
Created		K.SEKAR		KT-20-HWMO	
Checked		S.SUDHR		IMPERIAL MOUNTING HOLES	
Approved		K.PRICE		Drawing Number	
		12-JUN-2015		D000000245	
		12-JUN-2015		Sheet 1 of 1	
				Size A3	
				Rev B	