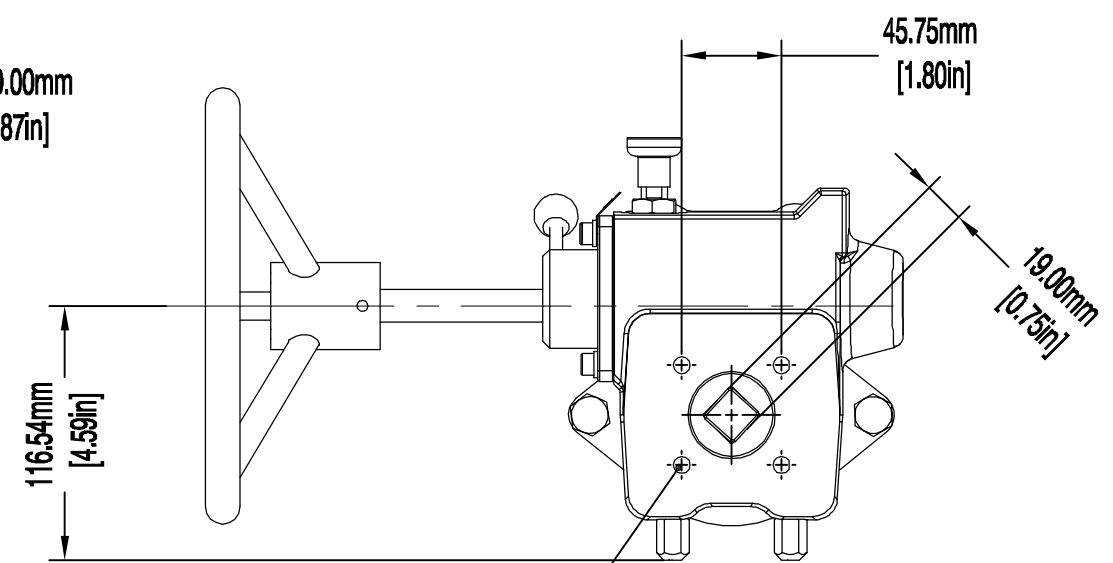
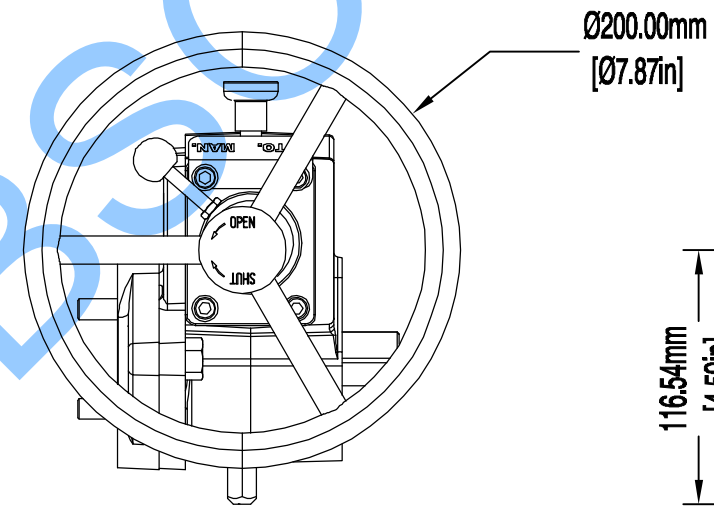
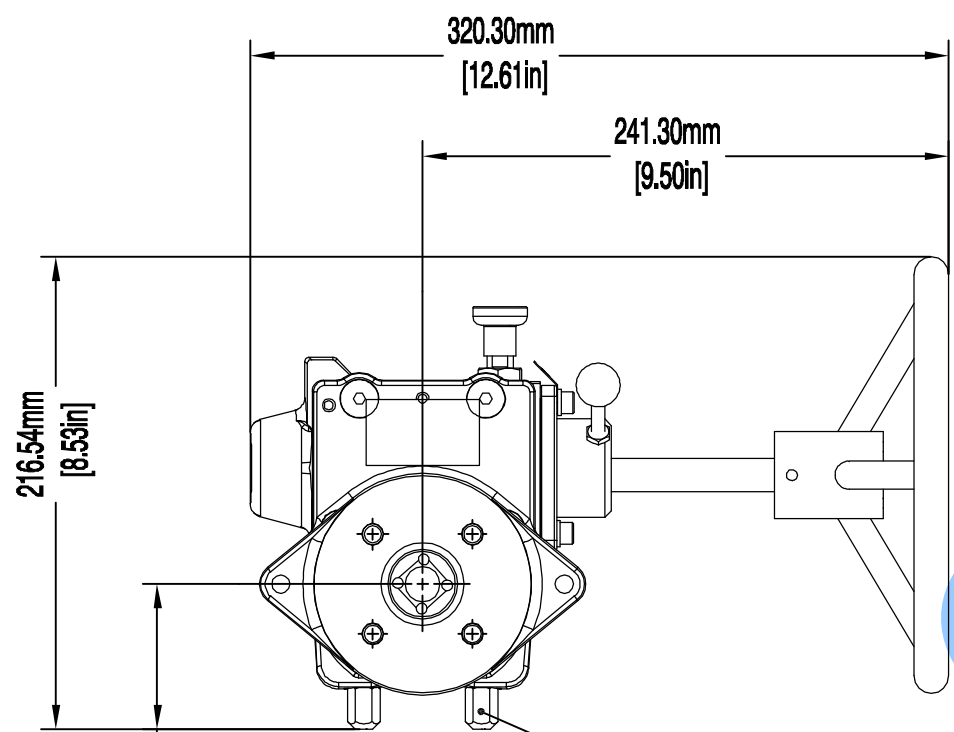
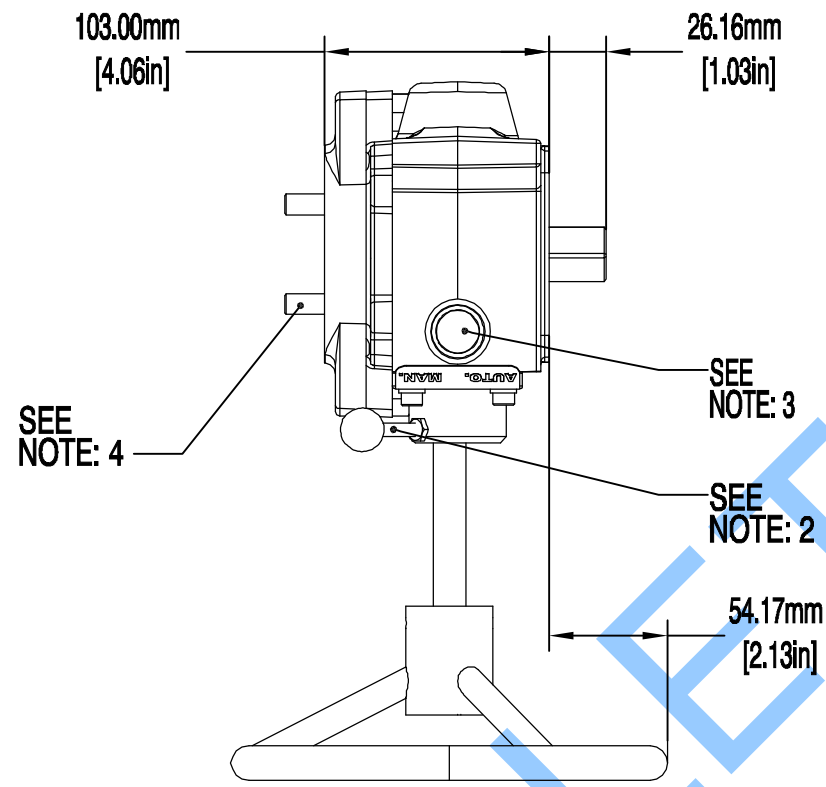
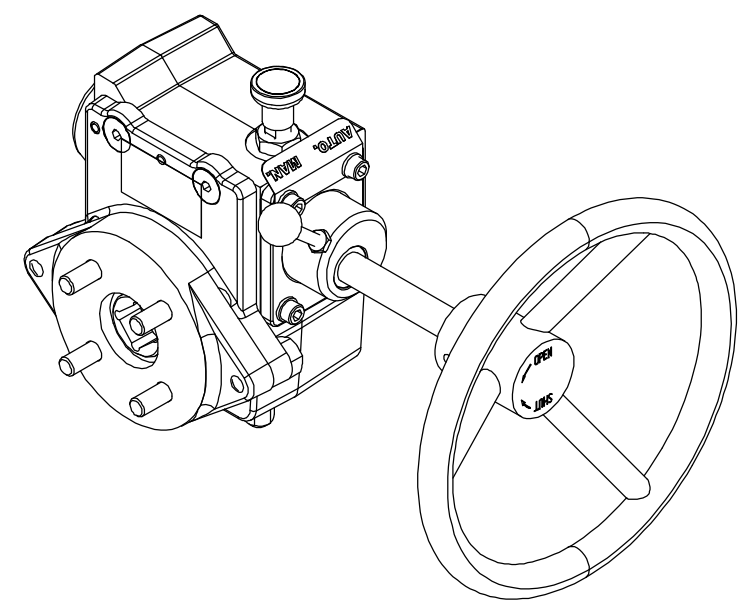


- NOTES:
 1) MECHANICAL STOPS, ADJUSTABLE
 2) GEAR ENGAGEMENT LEVER
 3) DECLUTCH PULL-PIN
 4) MOUNTING BOLTS TO K-2 ACTUATOR / SR
 5) EST. WT. 9.27 kg (20.44 LB.)
 6) ACTUATOR MAY BE REMOVED FROM AUTOMATED VALVE WHILE GEAR REMAINS ATTACHED TO OPERATE THE VALVE OR DAMPER.
 7) AVAILABLE WITH ISO 5211 VALVE-SIDE MOUNT FLANGE AND FEMALE DRIVE - CONSULT K-TORK.



(4 PLACES)
 3/8-16 UNC-2B
 TAPPED 10mm (.39in) DEEP,
 64.4mm (2.54in) BOLT CIRCLE STRADDLE \varnothing



This drawing is confidential and is the property of Rotork Dallas Inc. and must not be reproduced either wholly or partly. All rights in respect of patents, designs and copyrights are reserved. © 2015

Document type	DETAIL DRAWING	
	Dimensions in mm	
	Scale 1:1	
Created	S.DINESH	30-JAN-2015
Checked	S.SUDHIR	30-JAN-2015
Approved	K.PRICE	30-JAN-2015

Title			K-2-DA-HWMO - IMPERIAL MOUNTING HOLES		
Drawing Number			D000000245		
Rev			0		
Sheet	1	of	1	Size	A3

Rev B