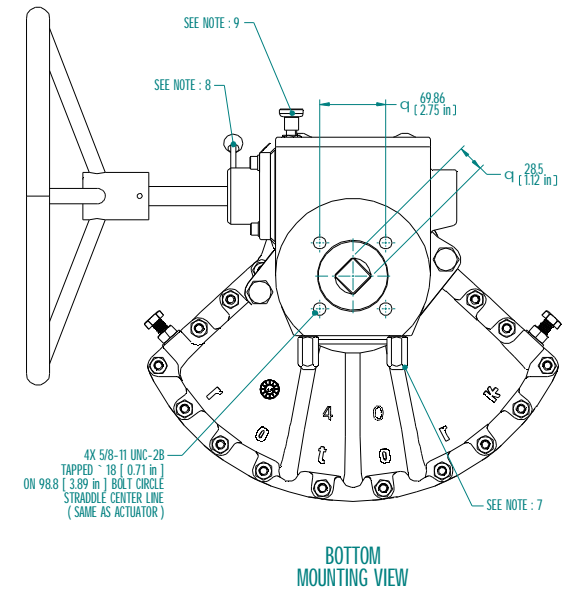
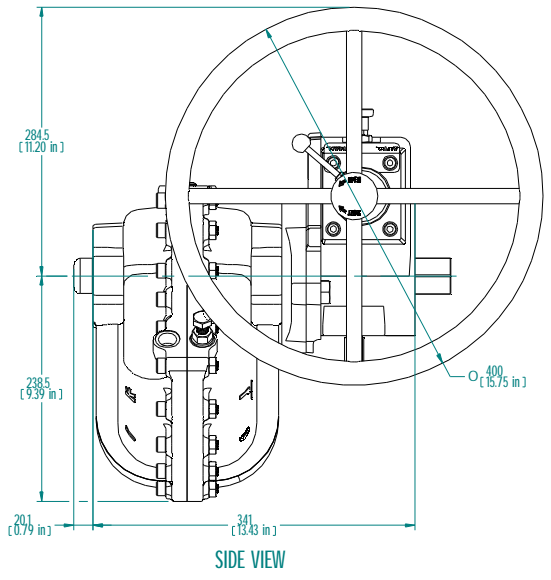
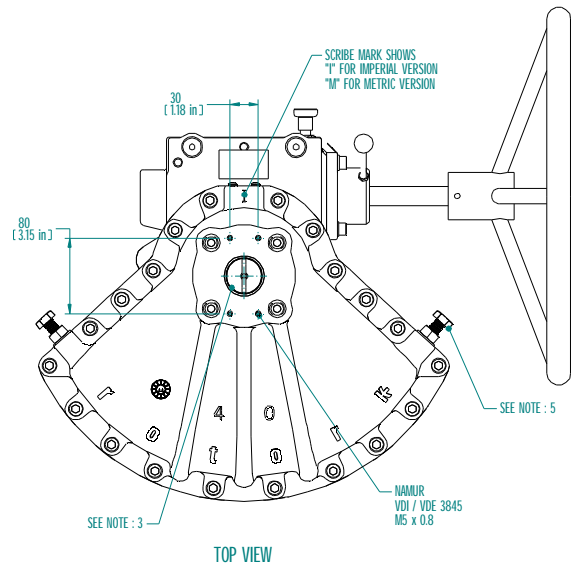
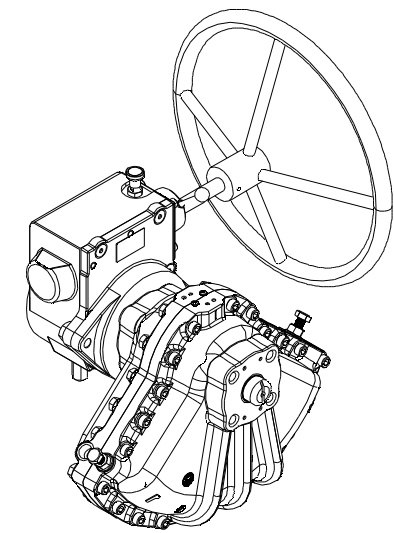
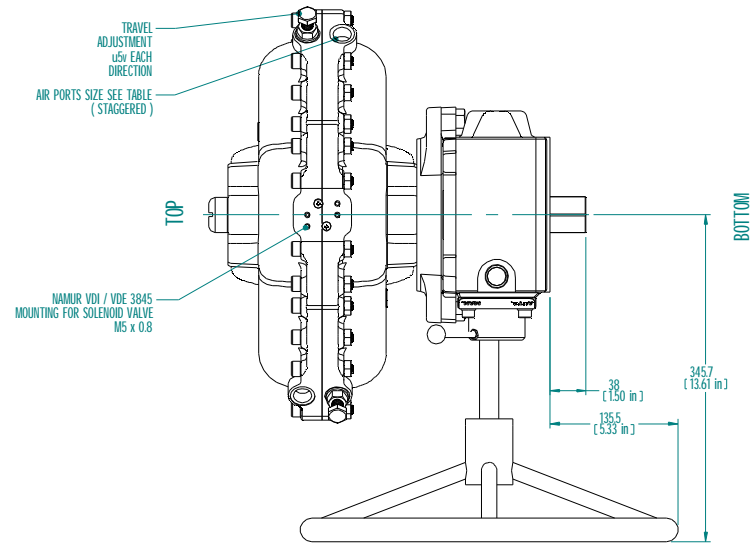
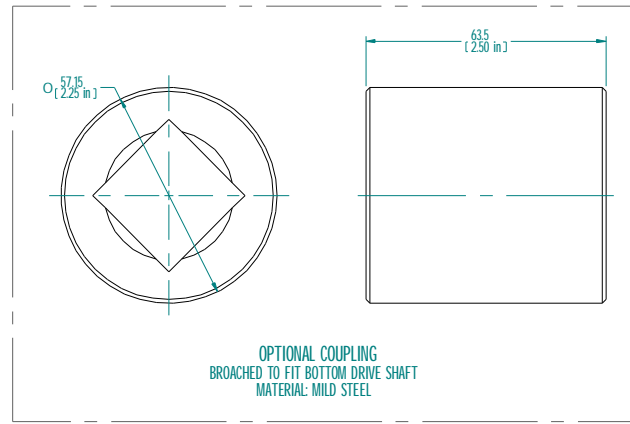


- NOTES:
1. MAX. ALLOWABLE OPERATING PRESSURE (MAOP) = 10 BAR (150 PSIG)
 2. WARNING - SEE ROTORK INSTALLATION, OPERATION & MAINTENANCE MANUAL BEFORE MOUNTING, INSTALLING OR SERVICING.
 3. ACTUATOR SHOWN IN FULL CW POSITION, FLAT ON SHAFT SHOWS VANE LOCATION.
 4. WEIGHT: 46.15 KG (101.75 LB.)
 5. RESTRICTED TRAVEL VERSIONS OPTIONAL.
 6. ACTUATOR MAY BE REMOVED FROM AUTOMATED VALVE WHILE GEAR REMAINS ATTACHED TO OPERATE THE VALVE OR DAMPER.
 7. GEARBOX MECHANICAL STOPS, ADJUSTABLE.
 8. GEAR ENGAGEMENT LEVER.
 9. DECLUTCH PULL-PIN.

	IMPERIAL	METRIC
AIR PORT SIZE	1/2-14 NPT	G1/2



B	K.SEKAR	K.PRICE	15-JUL-2015	DESCRIPTION UPDATED
A	K.SEKAR	K.PRICE	12-JUN-2015	REDRAWN: SOLID EDGE 3D
Rev	ECN	Revised	Approved	Date Change Description

<p>Dallas, Texas - USA www.rotork.com</p>	<p>This drawing is confidential and is the property of Rotork Dallas Inc. and must not be reproduced either wholly or partly. All rights in respect of patents, designs and copyrights are reserved. © 2015</p>		<p>Document type: GENERAL ARRANGEMENT</p> <p>Dimensions in mm Scale: 1:2</p>	<p>Title: KT-40-DA-HAND - IMPERIAL / METRIC AIR PORTS & MOUNTING HOLES</p>
	<p>Created: K.SEKAR 12-JUN-2015</p> <p>Checked: S.SOHIR 12-JUN-2015</p> <p>Approved: K.PRICE 12-JUN-2015</p>	<p>Drawing Number: D000000228</p> <p>Sheet 1 of 1</p> <p>Size: A2</p>	<p>Rev B</p>	