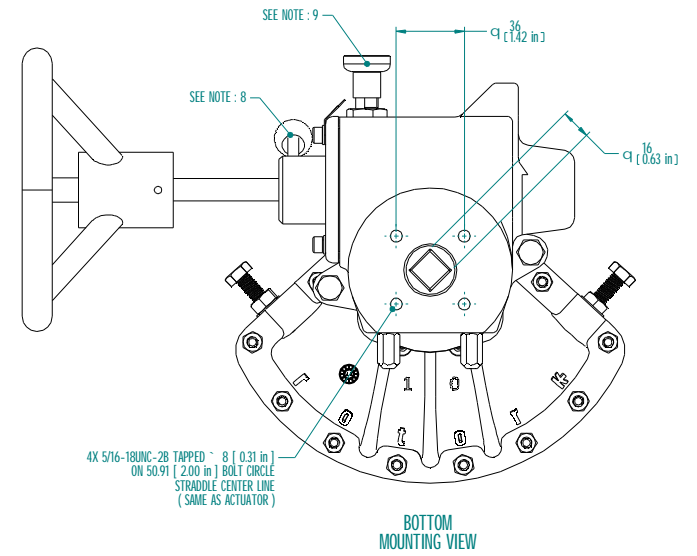
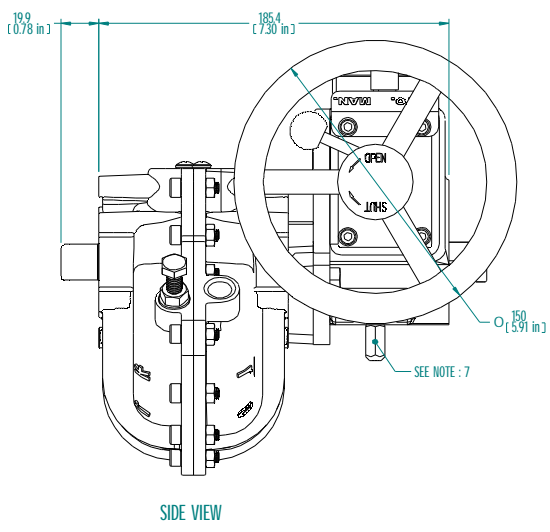
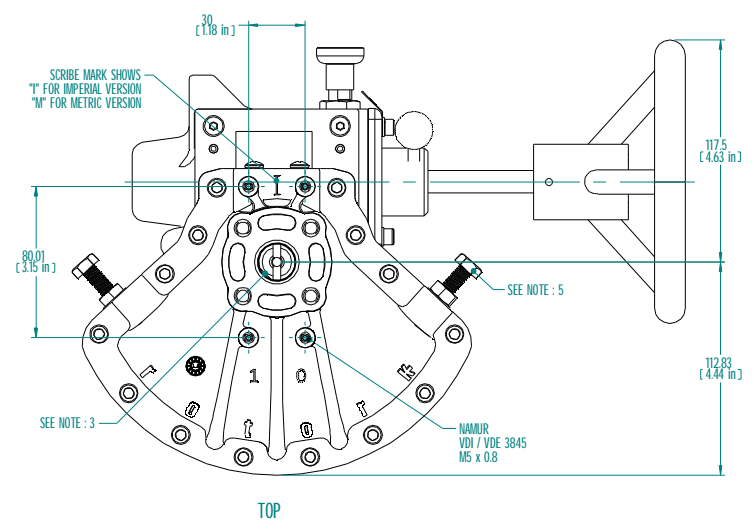
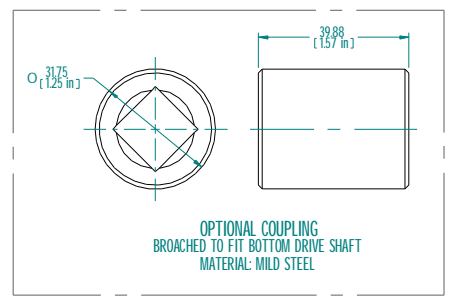
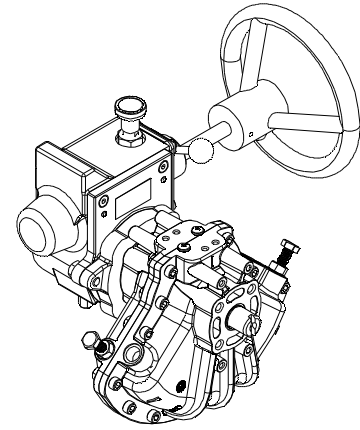
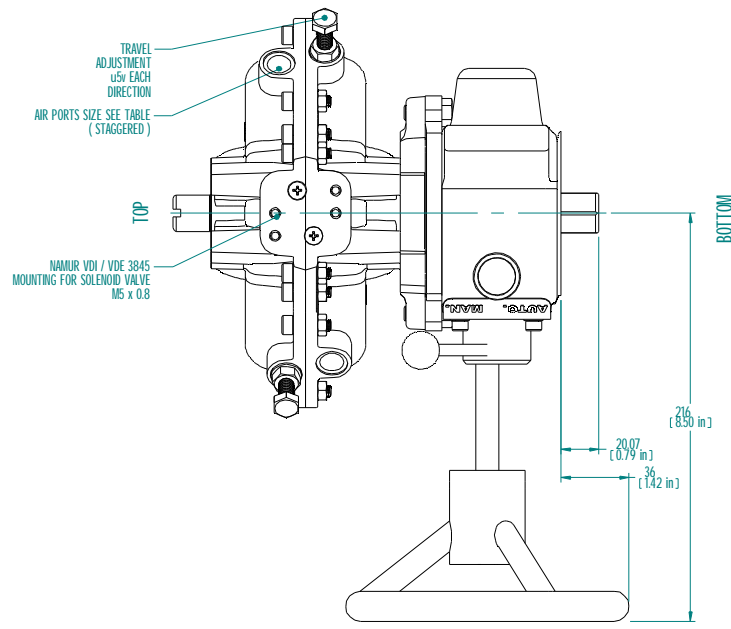


- NOTES:
1. MAX. ALLOWABLE OPERATING PRESSURE (MAOP) = 10 BAR (150 PSIG)
  2. WARNING - SEE ROTORK INSTALLATION, OPERATION & MAINTENANCE MANUAL BEFORE MOUNTING, INSTALLING OR SERVICING.
  3. ACTUATOR SHOWN IN FULL CW POSITION, FLAT ON SHAFT SHOWS VANE LOCATION.
  4. WEIGHT 8.8 KG (19.36 LB)
  5. RESTRICTED TRAVEL VERSIONS OPTIONAL.
  6. ACTUATOR MAY BE REMOVED FROM AUTOMATED VALVE WHILE GEAR REMAINS ATTACHED TO OPERATE THE VALVE OR DAMPER.
  7. GEARBOX MECHANICAL STOPS, ADJUSTABLE.
  8. GEAR ENGAGEMENT LEVER.
  9. DECLUTCH PULL-PIN.

	IMPERIAL	METRIC
AIR PORT SIZE	1/4-18 NPT	G1/4



Rev	ECN	Revised	Approved	Date	Change Description
B		K.SEKAR	K.PRICE	14-JUL-2015	DESCRIPTION UPDATED
A		K.SEKAR	K.PRICE	12-JUN-2015	REDRAWN: SOLID EDGE 3D

**rotork** This drawing is confidential and is the property of Rotork Dallas Inc. and must not be reproduced either wholly or partly. All rights in respect of patents, designs and copyrights are reserved. © 2015

Dallas Texas - USA  
www.rotork.com

Document type: GENERAL ARRANGEMENT  
Dimensions in mm  
Scale: 1:2

Title: KT-10-DA-1MM0 - IMPERIAL / METRIC AIR PORTS & MOUNTING HOLES

Created: K.SEKAR 12-JUN-2015  
Checked: S.SHIR 12-JUN-2015  
Approved: K.PRICE 12-JUN-2015

Drawing Number: D000000216  
Sheet 1 of 1  
Size: A2

Rev B