

I L J 4 U / O

A

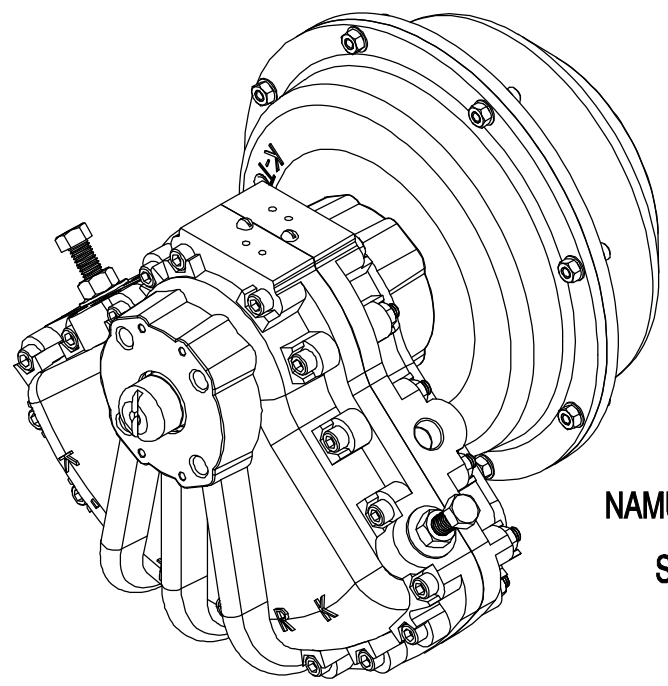
B

C

D

E

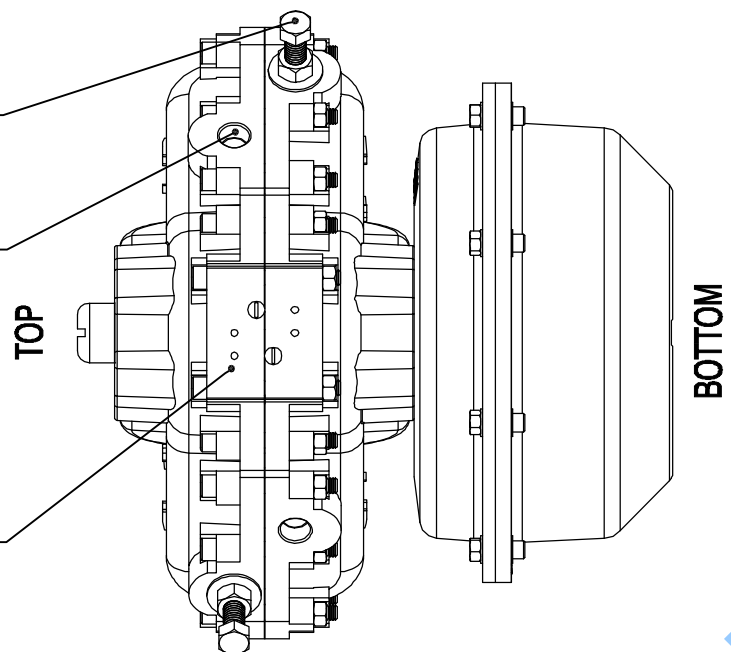
F



TRAVEL ADJUSTMENT +/- 5° EACH DIRECTION

AIR PORTS 3/8" NPT (STAGGERED)

NAMUR VDI/VDE 3845 MOUNTING FOR SOLENOID VALVE 10-24 UNC

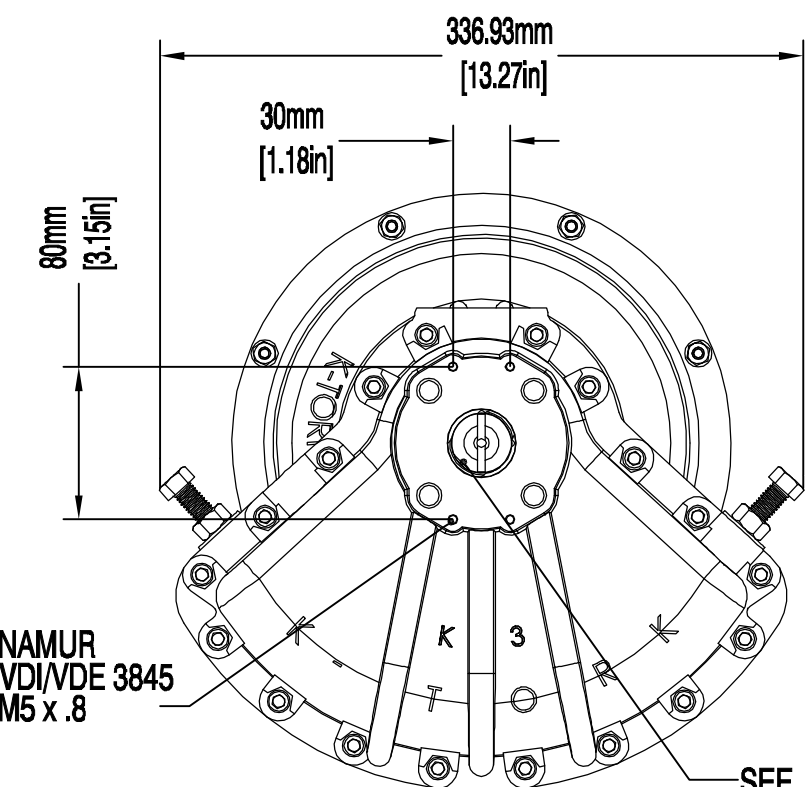


TOP

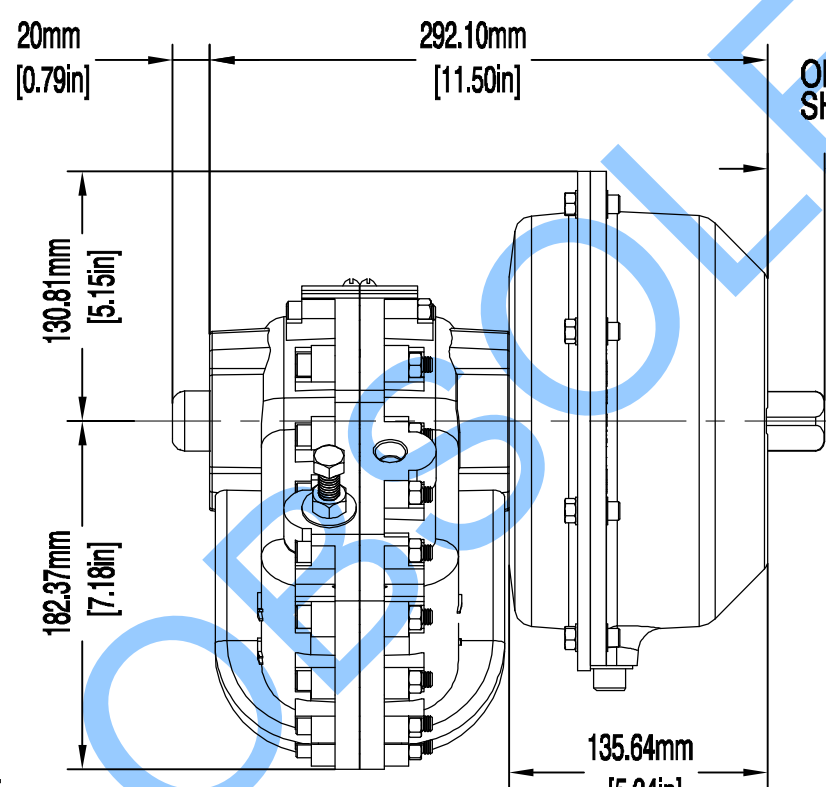
BOTTOM

- NOTES:
- 1) MAX ALLOWABLE OPERATING PRESSURE (MAOP) = 10 BAR (150 PSIG)
  - 2) WARNING - SEE K-TORK INSTALLATION, OPERATION & MAINTENANCE MANUAL BEFORE MOUNTING, INSTALLING OR SERVICING.
  - 3) SPECIFY SUPPLY AIR PRESSURE FOR SPRING-RETURN ACTUATORS.
  - 4) ACTUATOR SHOWN IN FULL CW POSITION, FLAT ON SHAFT SHOWS VANE LOCATION POSITION (SPRING END / AIR START).
  - 5) SPECIFY SPRING DIRECTION, CW STANDARD.
  - 6) WEIGHT 24.43 kg (53.86 LB.)

(4 PLACES) ISO 5211 MOUNTING BASE F12, M12 x 1.75 TAPPED 24.13mm (.95in) DEEP, 125mm (4.92in) BOLT CIRCLE STRADDLE  $\phi$

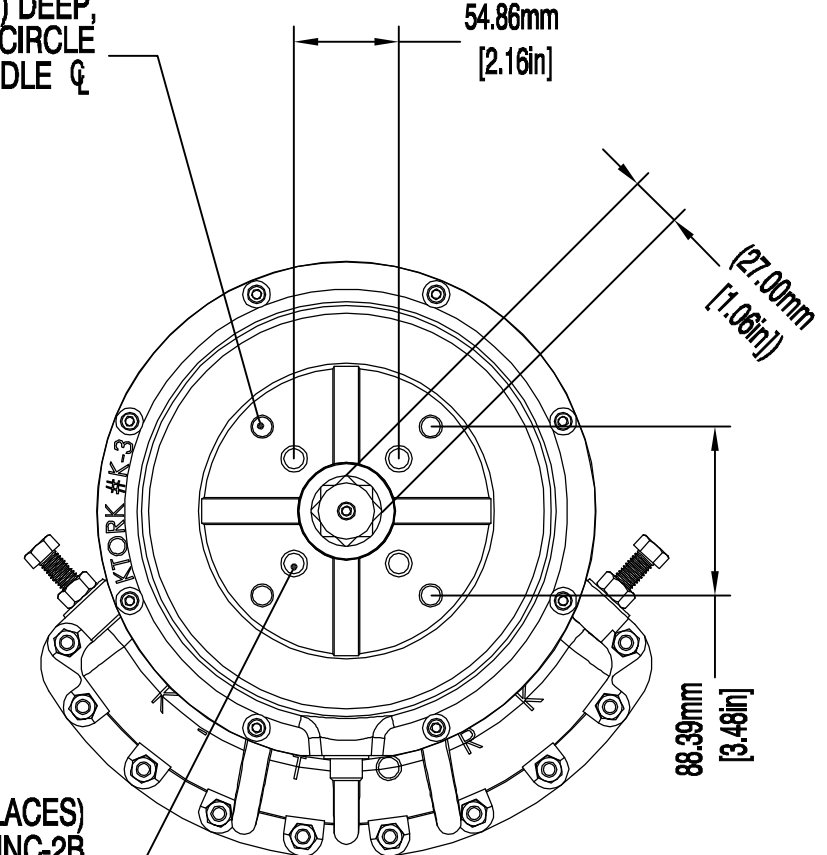


TOP



SIDE VIEW

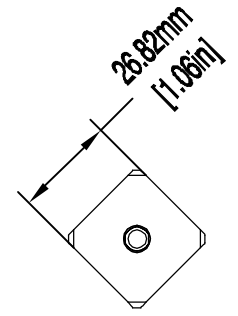
OPTIONAL MALE SHAFT ADAPTER 29.72mm [1.17in]



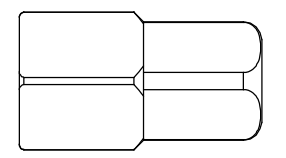
BOTTOM MOUNTING VIEW

NAMUR VDI/VDE 3845 M5 x .8

SEE NOTE: 5



TO SPRING FEMALE SIDE



MALE OUTPUT SIDE

OPTIONAL MALE SHAFT ADAPTER KIT



This drawing is confidential and is the property of Rotork Dallas Inc. and must not be reproduced either wholly or partly. All rights in respect of patents, designs and copyrights are reserved. © 2015

Document type	DETAIL DRAWING	
	Dimensions in mm	
	Scale 1:1	
Created	S.DINESH	30-JAN-2015
Checked	S.SUDHIR	30-JAN-2015
Approved	K.PRICE	30-JAN-2015

Title		K-3-SPRING RETURN - MODEL IMPERIAL AIR PORTS & MOUNTING HOLES	
Drawing Number		D000000212	
Sheet	1	of	1
Size	A3		
Rev	0		

Rev B 1 2 3 4 5 6 7 8