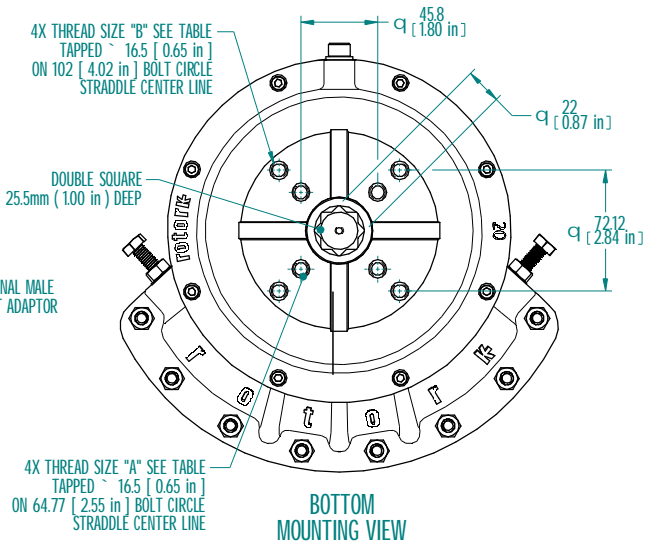
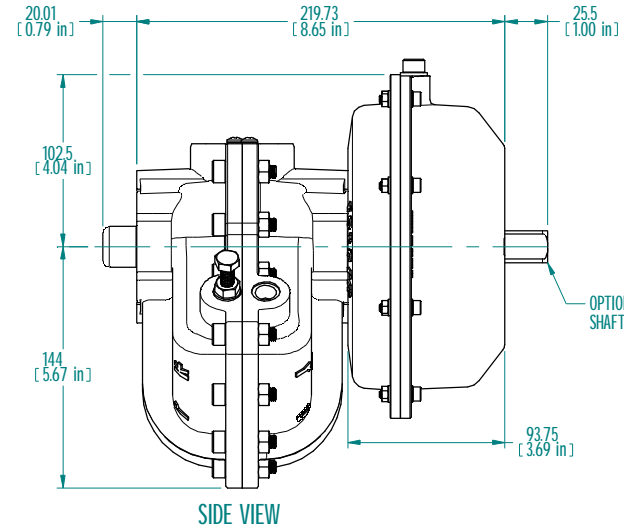
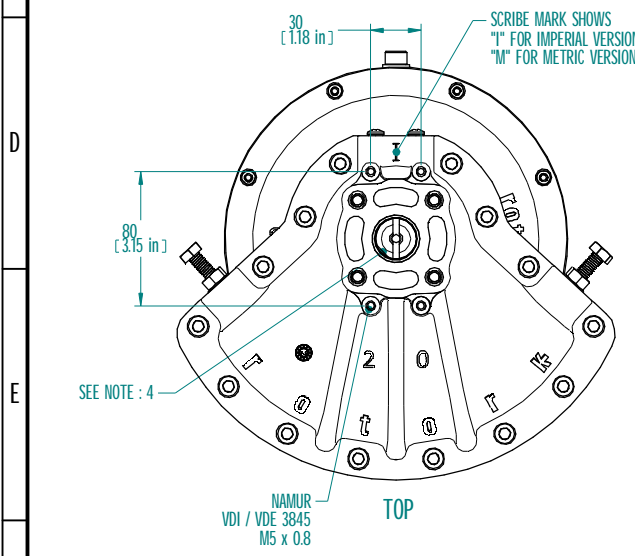
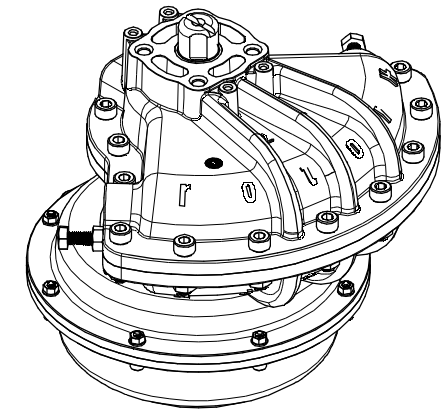
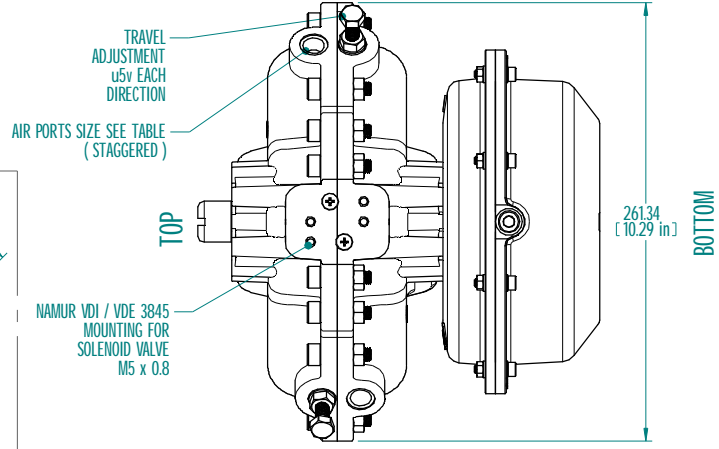
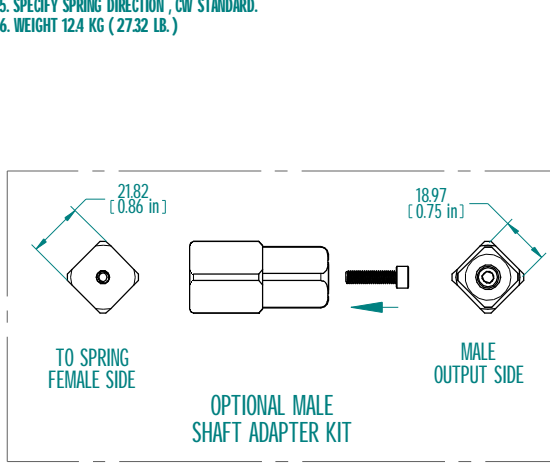


- NOTES:**
1. MAX. ALLOWABLE OPERATING PRESSURE (MAOP) = 10 BAR (150 PSIG)
 2. WARNING - SEE ROTORK INSTALLATION, OPERATION & MAINTENANCE MANUAL BEFORE MOUNTING, INSTALLING OR SERVICING.
 3. SPECIFY SUPPLY AIR PRESSURE FOR SPRING-RETURN ACTUATORS.
 4. ACTUATOR SHOWN IN FULL CW POSITION, FLAT ON SHAFT SHOWS VANE LOCATION POSITION (SPRING END / AIR START).
 5. SPECIFY SPRING DIRECTION, CW STANDARD.
 6. WEIGHT 12.4 KG (27.32 LB.)

	IMPERIAL	METRIC
THREAD SIZE "A"	3/8-16 UNC	M10 x 1.5
THREAD SIZE "B"	3/8-16 UNC	M10 x 1.5
AIR PORT SIZE	1/4-18 NPT	G1/4



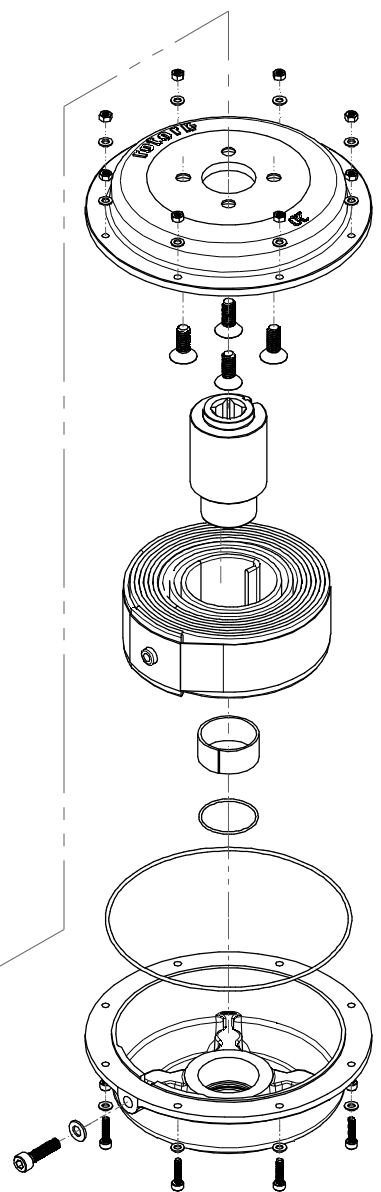
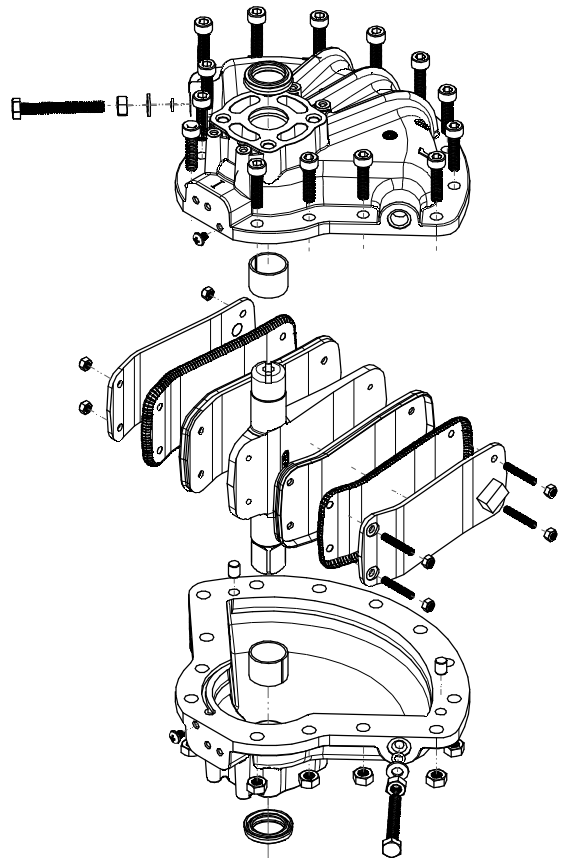
Rev	ECN	Revised	Approved	Date	Change Description
D		K.SEKAR	K.PRICE	19-FEB-2016	EXPLODED VIEW ADDED IN SHEET2
C		K.SEKAR	K.PRICE	15-OCT-2015	DRAWING NO. D000000211 WAS D000000201
B		K.SEKAR	K.PRICE	14-JUL-2015	DESCRIPTION UPDATED
A		K.SEKAR	K.PRICE	12-JUN-2015	REDRAWN: SOLID EDGE 3D


rotork This drawing is confidential and is the property of Rotork Dallas Inc. and must not be reproduced either wholly or partly. All rights in respect of patents, designs and copyrights are reserved. © 2015

Dallas, Texas - USA
www.rotork.com

Document type: GENERAL ARRANGEMENT			Title: KT-20-SR IMPERIAL / METRIC AIR PORTS & MOUNTING HOLES	
Dimensions in mm			Scale: 1:3	
Created	K.SEKAR	12-JUN-2015	Drawing Number: D000000211	
Checked	S.SUDHR	12-JUN-2015	Rev: D	
Approved	K.PRICE	12-JUN-2015	Sheet 1 of 2 Size: A3	

Rev C



	Document type: GENERAL ARRANGEMENT		Title: KT-20-SR IMPERIAL / METRIC AIR PORTS & MOUNTING HOLES	
	Dimensions in mm Scale: 1:3.6		Drawing Number: D00000211	
Created: K.SEKAR	12-JUN-2015	Checked: S.SUDHR	12-JUN-2015	Rev: D
Approved: K.PRICE	12-JUN-2015	Sheet 2 of 2		Size: A3

This drawing is confidential and is the property of Rotork Dallas Inc. and must not be reproduced either wholly or partly. All rights in respect of patents, designs and copyrights are reserved © 2015

Dallas, Texas - USA
www.rotork.com

Rev C