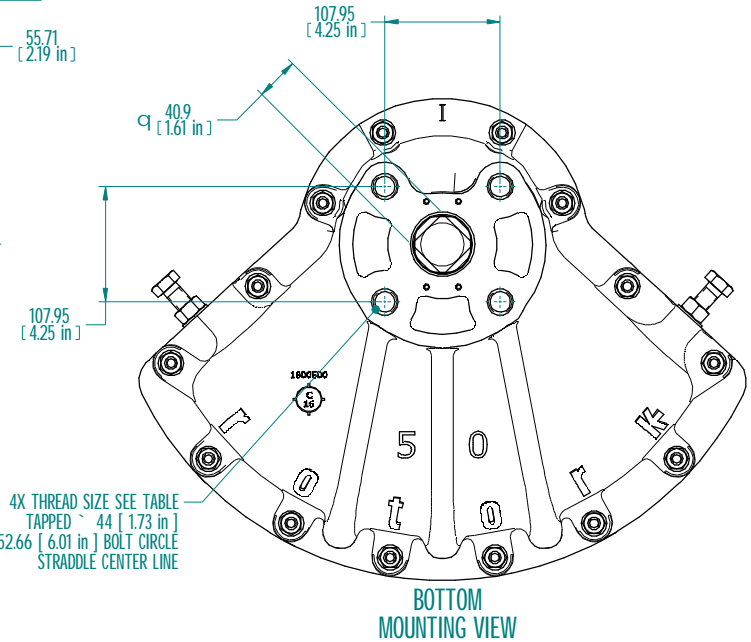
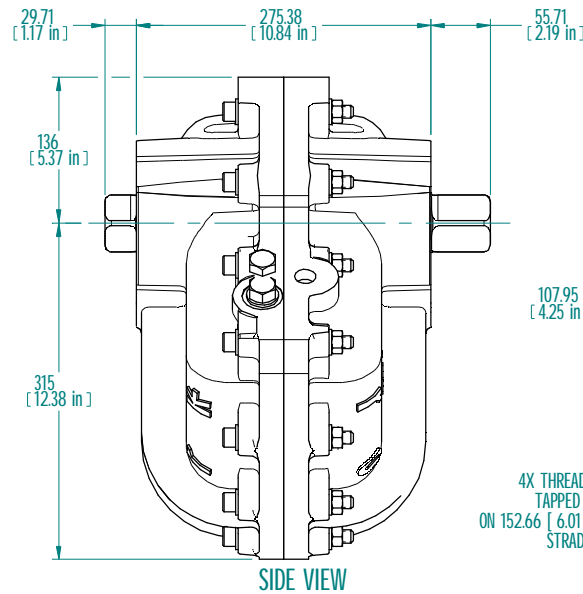
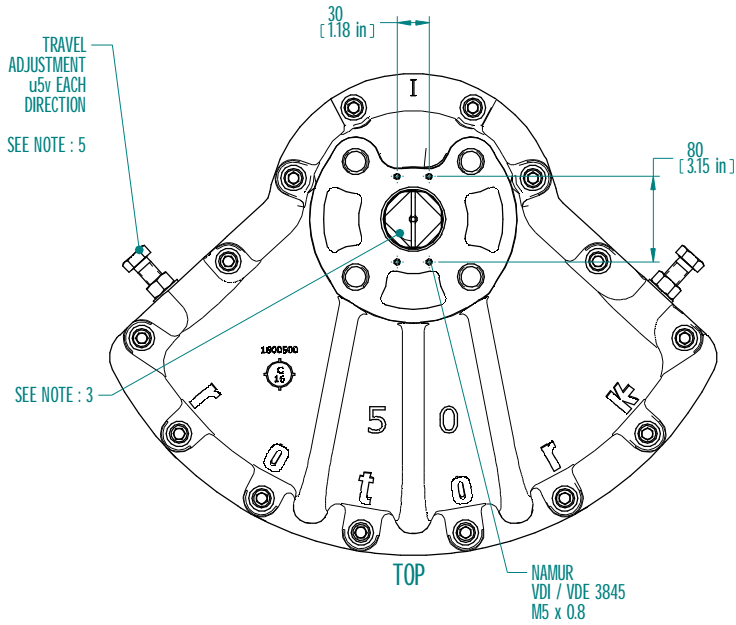
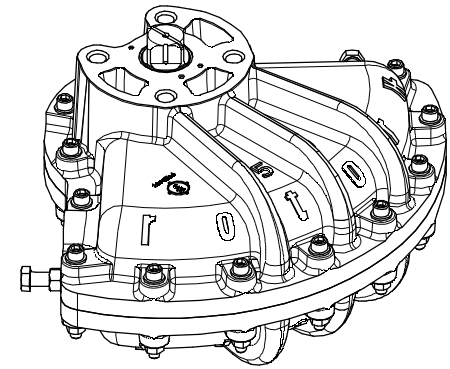
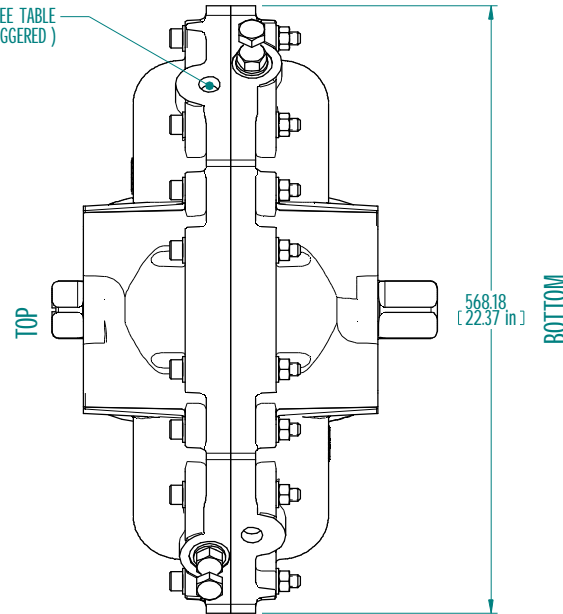
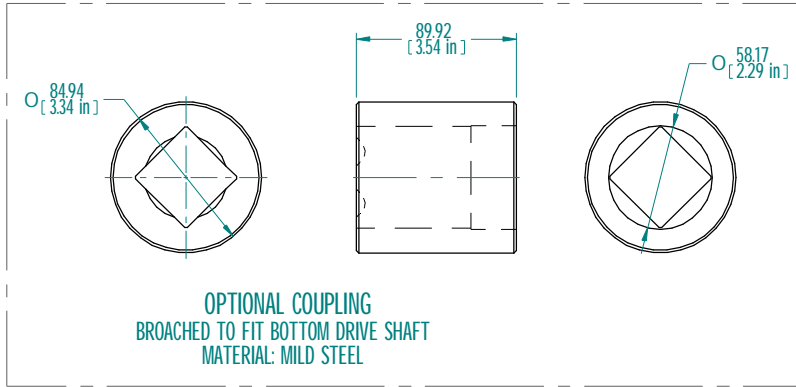


NOTES:

1. MAX. ALLOWABLE OPERATING PRESSURE (MAOP) = 10 BAR (150PSIG)
2. WARNING - SEE ROTORK INSTALLATION, OPERATION & MAINTENANCE MANUAL BEFORE MOUNTING, INSTALLING OR SERVICING.
3. ACTUATOR SHOWN IN FULL CW POSITION, SCRIBE MARK ON SHAFT SHOWS VANE LOCATION.
4. WEIGHT 47.63 KG (105 LB.)
5. RESTRICTED TRAVEL VERSIONS OPTIONAL.

AIR PORTS SIZE SEE TABLE
(STAGGERED)

	IMPERIAL	METRIC
THREAD SIZE	7/8-9 UNC	M24 x 3
AIR PORT SIZE	1/2-14 NPT	G1/2



C	K.SEKAR	K.PRICE	06-MAR-2017	METRIC VERSION ADDED
B	K.SEKAR	K.PRICE	15-JUL-2015	DESCRIPTION UPDATED
A	K.SEKAR	K.PRICE	12-JUN-2015	REDRAWN: SOLID EDGE 3D
Rev	ECN	Revised	Approved	Date Change Description

rotork
Dallas, Texas - USA
www.rotork.com

This drawing is confidential and is the property of Rotork Dallas Inc. and must not be reproduced either wholly or partly. All rights in respect of patents, designs and copyrights are reserved. © 2015

Document type			GENERAL ARRANGEMENT		Title	
			Dimensions in mm		KT-50-DA	
			Scale 1:5		IMPERIAL AIR PORTS & MOUNTING HOLES	
Created	K.SEKAR	12-JUN-2015	Drawing Number			
Checked	S.SUDHR	12-JUN-2015	D000000206			
Approved	K.PRICE	12-JUN-2015	Sheet 1 of 1 Size A3			