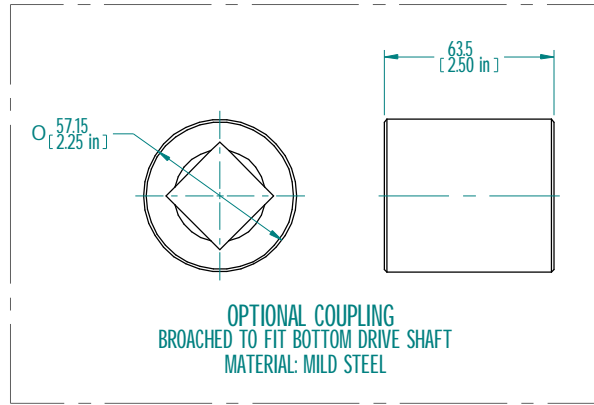


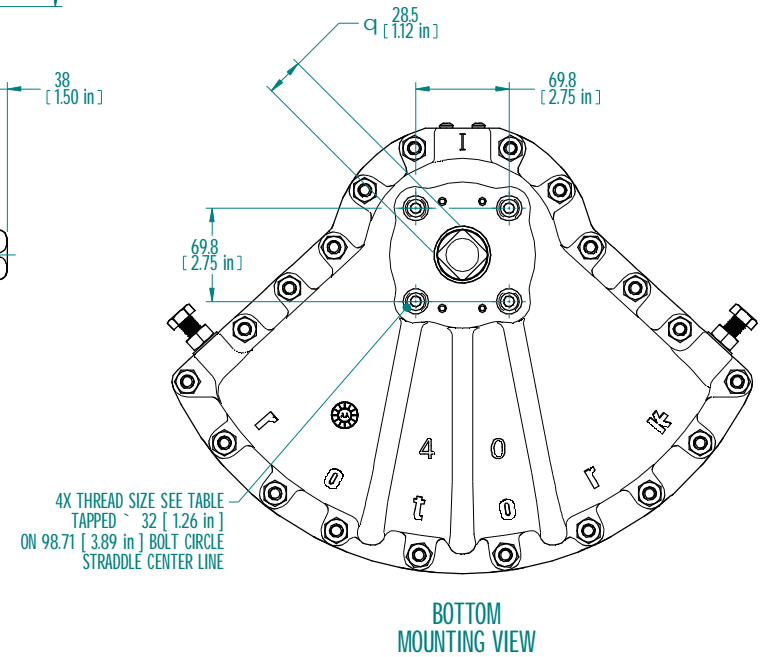
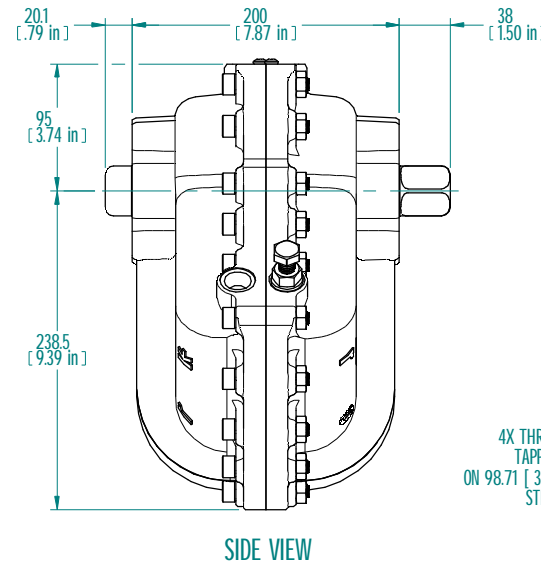
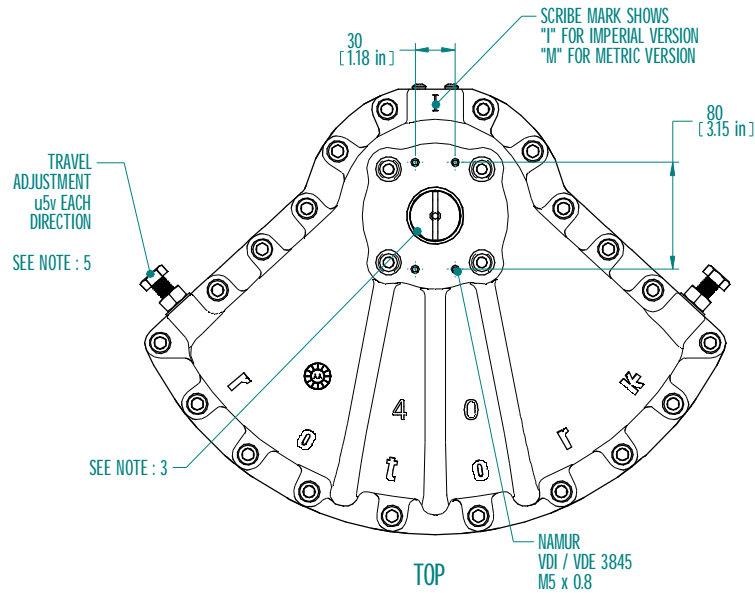
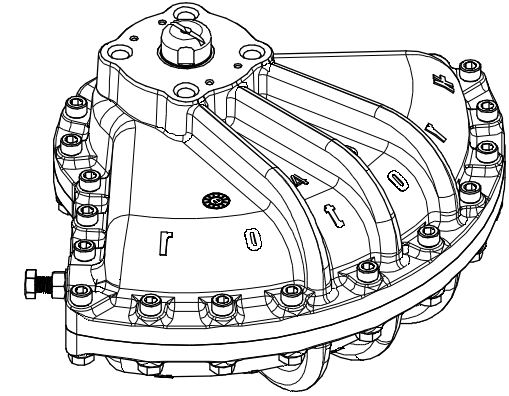
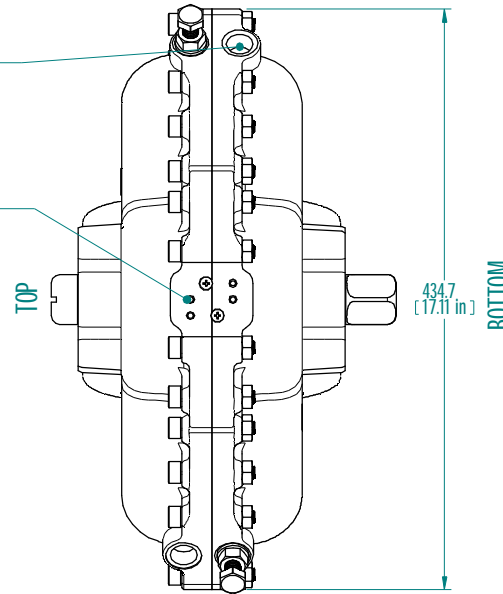
- NOTES:
1. MAX. ALLOWABLE OPERATING PRESSURE (MAOP) = 10 BAR (150PSIG)
  2. WARNING - SEE ROTORK INSTALLATION, OPERATION & MAINTENANCE MANUAL BEFORE MOUNTING, INSTALLING OR SERVICING.
  3. ACTUATOR SHOWN IN FULL CW POSITION, FLAT ON SHAFT SHOWS VANE LOCATION.
  4. WEIGHT 18.33 KG (40.40 LB.)
  5. RESTRICTED TRAVEL VERSIONS OPTIONAL.

	IMPERIAL	METRIC
THREAD SIZE	5/8-11 UNC	M16 x 2
AIR PORT SIZE	1/2-14 NPT	G1/2



AIR PORTS SIZE SEE TABLE  
(STAGGERED)

NAMUR VDI / VDE 3845  
MOUNTING FOR SOLENOID VALVE  
M5 x 0.8



Rev	ECN	Revised	Approved	Date	Change Description
B		K.SEKAR	K.PRICE	15-JUL-2015	DESCRIPTION UPDATED
A		K.SEKAR	K.PRICE	12-JUN-2015	REDRAWN: SOLID EDGE 3D

**rotork**  
Dallas, Texas - USA  
www.rotork.com

This drawing is confidential and is the property of Rotork Dallas Inc. and must not be reproduced either wholly or partly. All rights in respect of patents, designs and copyrights are reserved. © 2015

Document type			GENERAL ARRANGEMENT		Title	
			Dimensions in mm		KT-40-DA	
			Scale 1:2		IMPERIAL / METRIC AIR PORTS & MOUNTING HOLES	
Created	K.SEKAR	12-JUN-2015	Drawing Number			
Checked	S.SUDHR	12-JUN-2015	D000000205			
Approved	K.PRICE	12-JUN-2015	Sheet 1 of 1 Size A3			