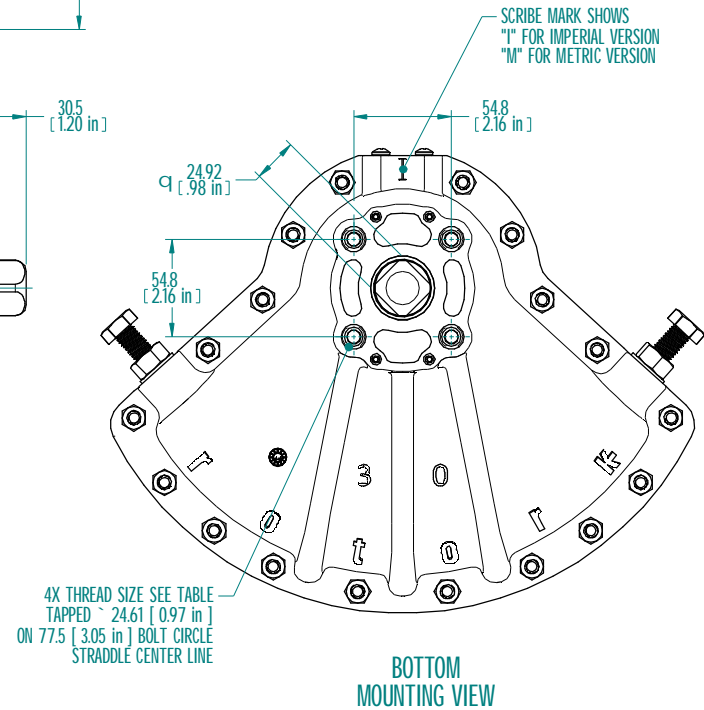
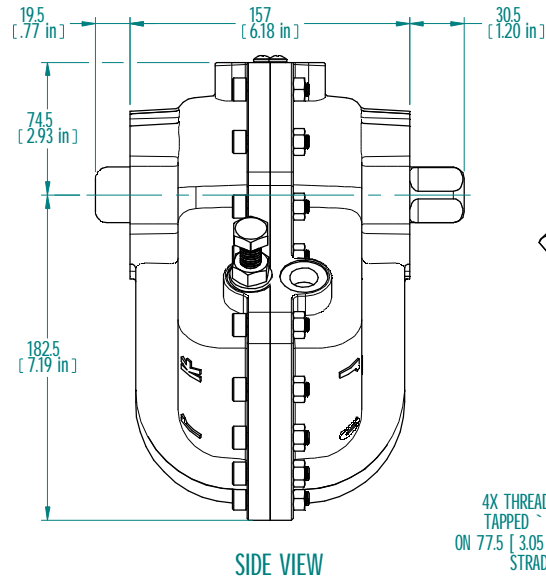
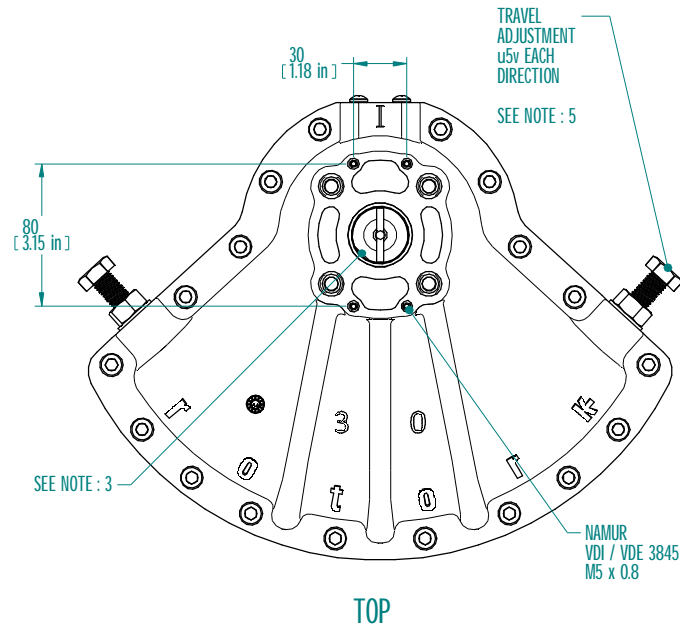
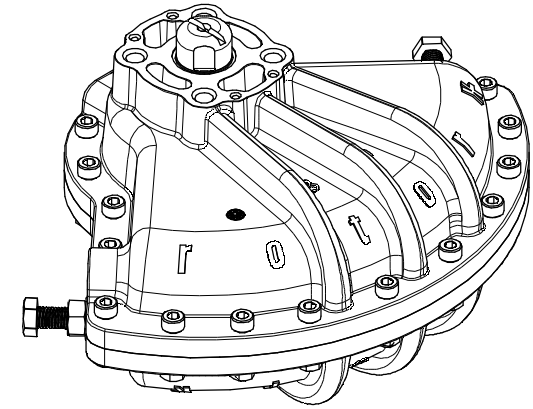
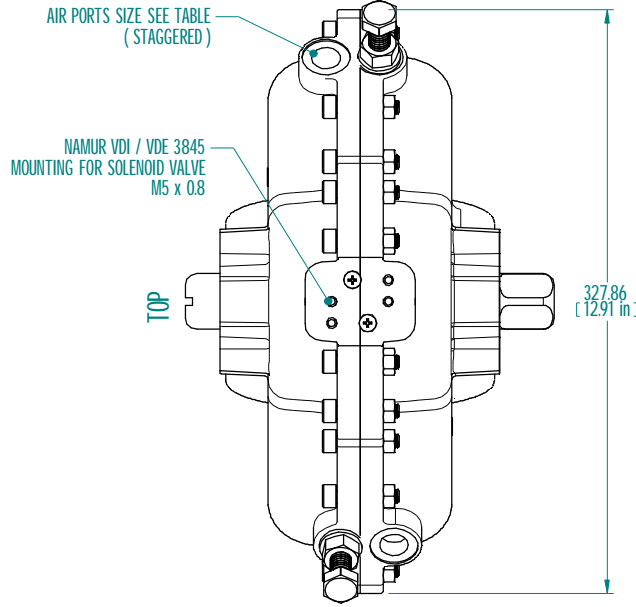
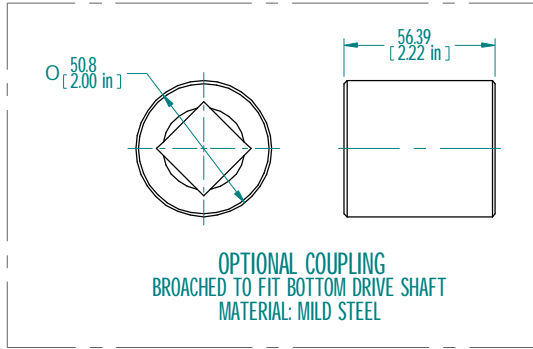


NOTES:

1. MAX. ALLOWABLE OPERATING PRESSURE (MAOP) = 10 BAR (150 PSIG)
2. WARNING - SEE ROTORK INSTALLATION, OPERATION & MAINTENANCE MANUAL BEFORE MOUNTING, INSTALLING OR SERVICING.
3. ACTUATOR SHOWN IN FULL CW POSITION, FLAT ON SHAFT SHOWS VANE LOCATION.
4. WEIGHT 9.82 KG (21.66 LB.)
5. RESTRICTED TRAVEL VERSIONS OPTIONAL.

	IMPERIAL	METRIC
THREAD SIZE	1/2-13 UNC	M12 x 1.75
AIR PORT SIZE	3/8-18 NPT	G3/8



Rev	ECN	Revised	Approved	Date	Change Description
B		K.SEKAR	K.PRICE	14-JUL-2015	DESCRIPTION UPDATED
A		K.SEKAR	K.PRICE	12-JUN-2015	REDRAWN: SOLID EDGE 3D

		Document type		GENERAL ARRANGEMENT		Title	
		Dimensions in mm Scale 1:2		KT-30-DA IMPERIAL / METRIC AIR PORTS & MOUNTING HOLES			
Dallas, Texas - USA www.rotork.com		This drawing is confidential and is the property of Rotork Dallas Inc. and must not be reproduced either wholly or partly. All rights in respect of patents, designs and copyrights are reserved. © 2015		Created K.SEKAR 12-JUN-2015		Drawing Number D000000204	
		Checked S.SUDHR 12-JUN-2015		Approved K.PRICE 12-JUN-2015		Sheet 1 of 1 Size A3	

Rev C