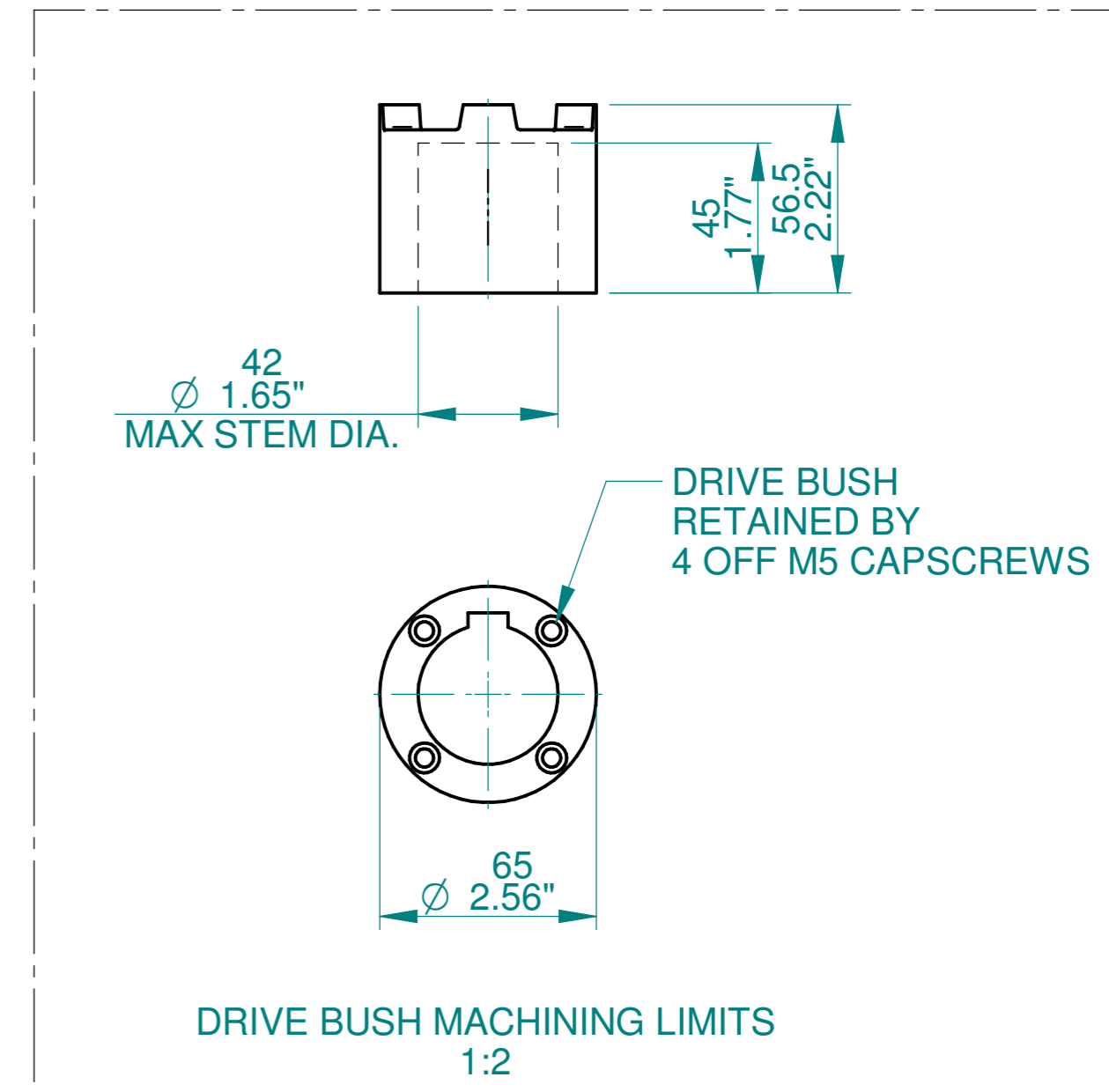


**NOTES:**

1. DIMENSIONS WITH "\*" INDICATE COVER REMOVAL ALLOWANCE
2. THE INTERFACE PROVIDED FOR MOUNTING THE ACTUATOR ONTO THE VALVE SHOULD CONFORM TO GOOD ENGINEERING PRACTICES, ENSURING ADEQUATE TOLERANCES, THREAD ENGAGEMENT, SCREW TORQUES, SIZES, MATERIALS & FORM TOLERANCES.
3. UNIT WEIGHT 24 KG (53 LBS)
4. CENTRE OF GRAVITY DIMENSIONS HAVE A TOLERANCE OF ± 20mm
5. ACTUATOR SHOWN IN CLOSED POSITION.



Scale 1:3	Projection Do Not Scale	Ref for 1:1 Scale 0 10 20 30mm	<b>rotork</b> Rotork Controls Limited Bath, England BA1 3JQ Telephone 01225-733200 Telefax 01225-333467 mail@rotork.co.uk http://www.rotork.com	Title CVQ2400 WITH MANUAL OVERRIDE - SPECIFICATION SHEET
A2	Data Sheet	Issue No 3	Sheet No 1 of 1	Drawn P.JOHNS Checked M.EVANS Date 30-JAN-2011