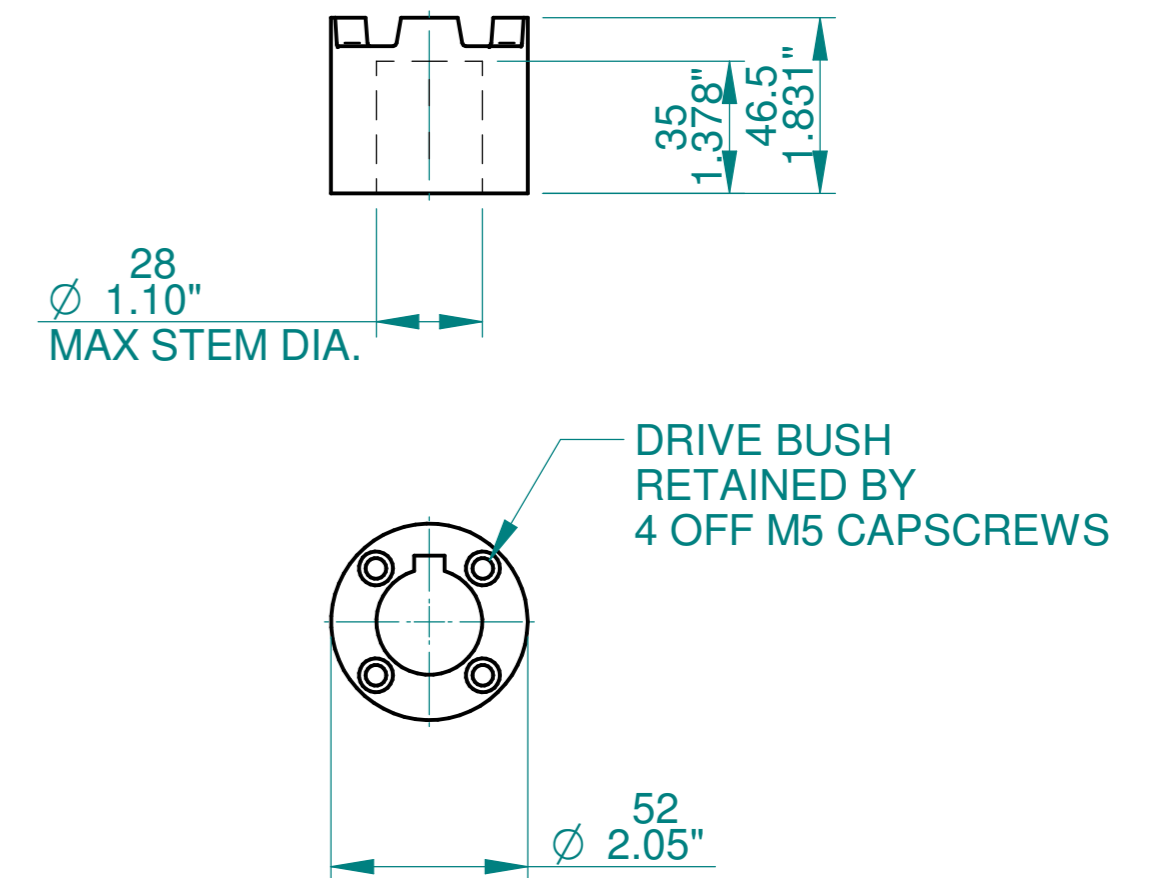


4 HOLES
M8 x 1.25P x 20 DEEP ON 70 PCD ISO5211 F07.
OR 5/16" UNC x 3/4" DEEP ON 2.75" PCD MSS SP-101.

NOTES:

1. DIMENSIONS WITH "*" INDICATE COVER REMOVAL ALLOWANCE
2. THE INTERFACE PROVIDED FOR MOUNTING THE ACTUATOR ONTO THE VALVE SHOULD CONFORM TO GOOD ENGINEERING PRACTICES, ENSURING ADEQUATE TOLERANCES, THREAD ENGAGEMENT, SCREW TORQUES, SIZES, MATERIALS & FORM TOLERANCES.
3. UNIT WEIGHT 18KG (40 LBS)
4. CENTRE OF GRAVITY DIMENSIONS HAVE A TOLERANCE OF $\pm 20\text{mm}$
5. ACTUATOR SHOWN IN CLOSED POSITION.



DRIVE BUSH MACHINING LIMITS
1:2

Scale 1:3	Projection Do Not Scale	Ref for 1:1 Scale 0 10 20 30mm	rotork Rotork Controls Limited Bath, England BA1 3JQ. Telephone 01225 733200 Telefax 01225 333467 mail @ rotork.co.uk http://www.rotork.com	Title CVQ1200 (NO MANUAL OVERRIDE) - SPECIFICATION SHEET
A2	Data Sheet CVQ2	Issue No 3	Sheet No 1 of 1	Drawn P.Johns Checked M.Evans Date 30-JAN-2011