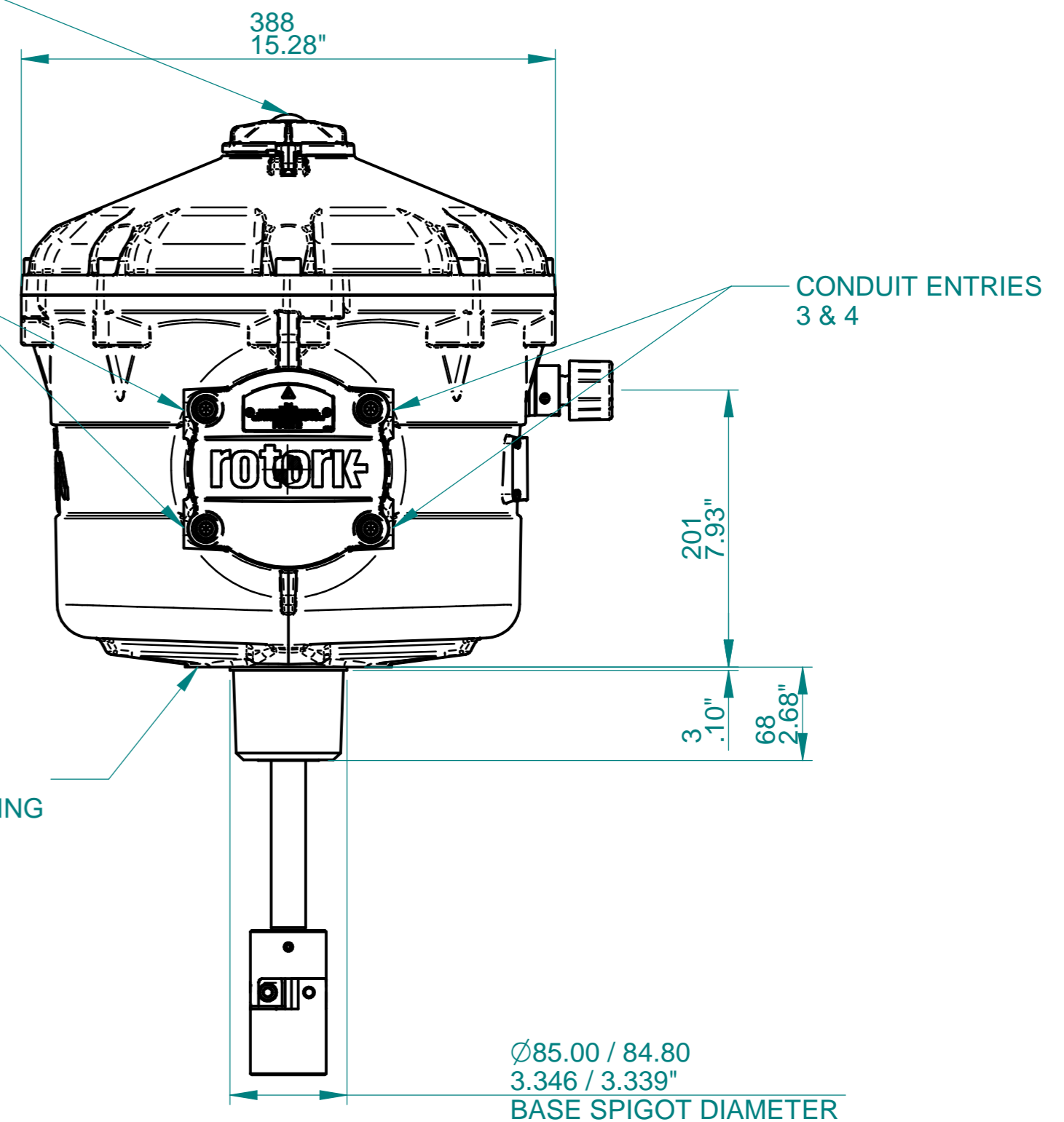
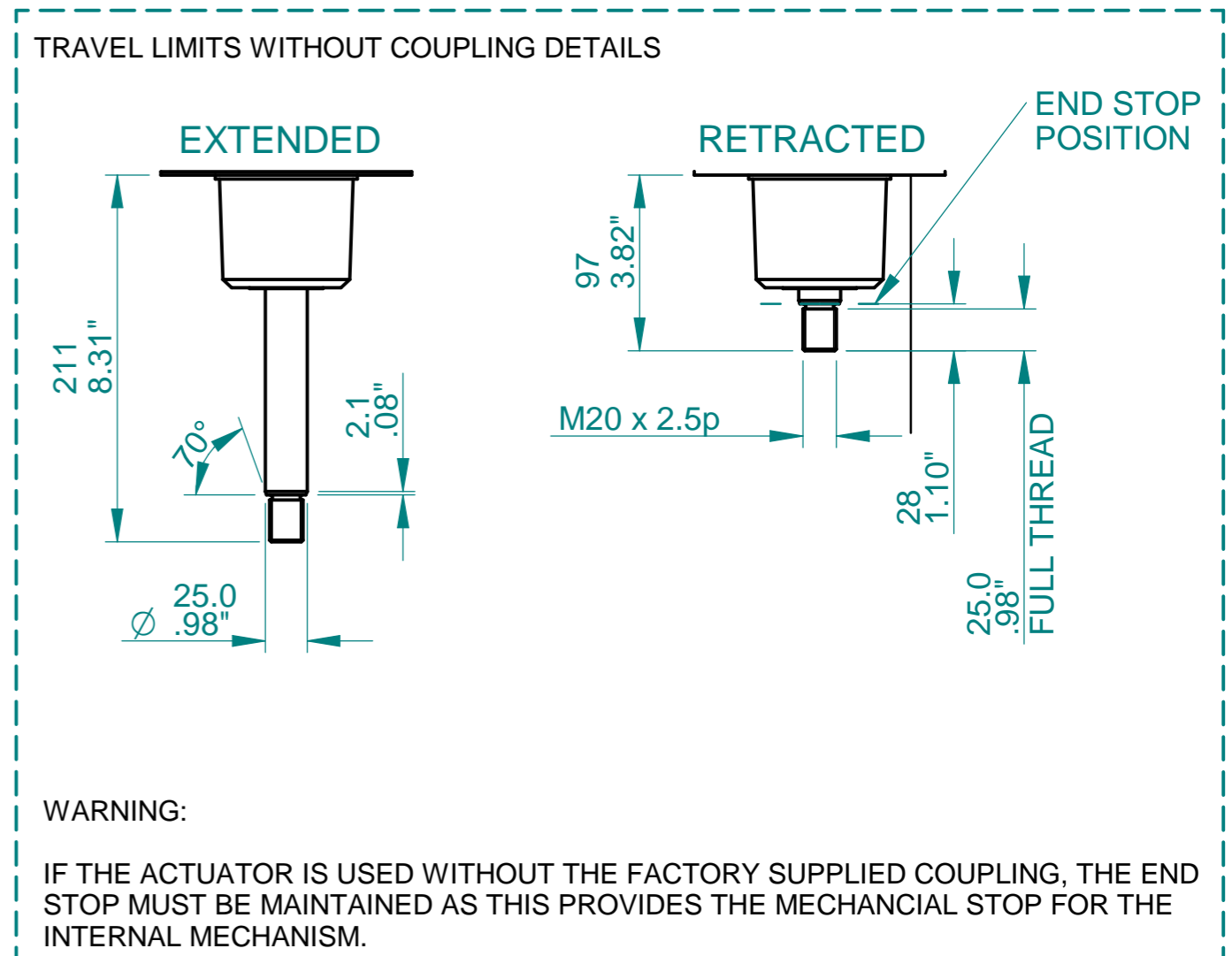
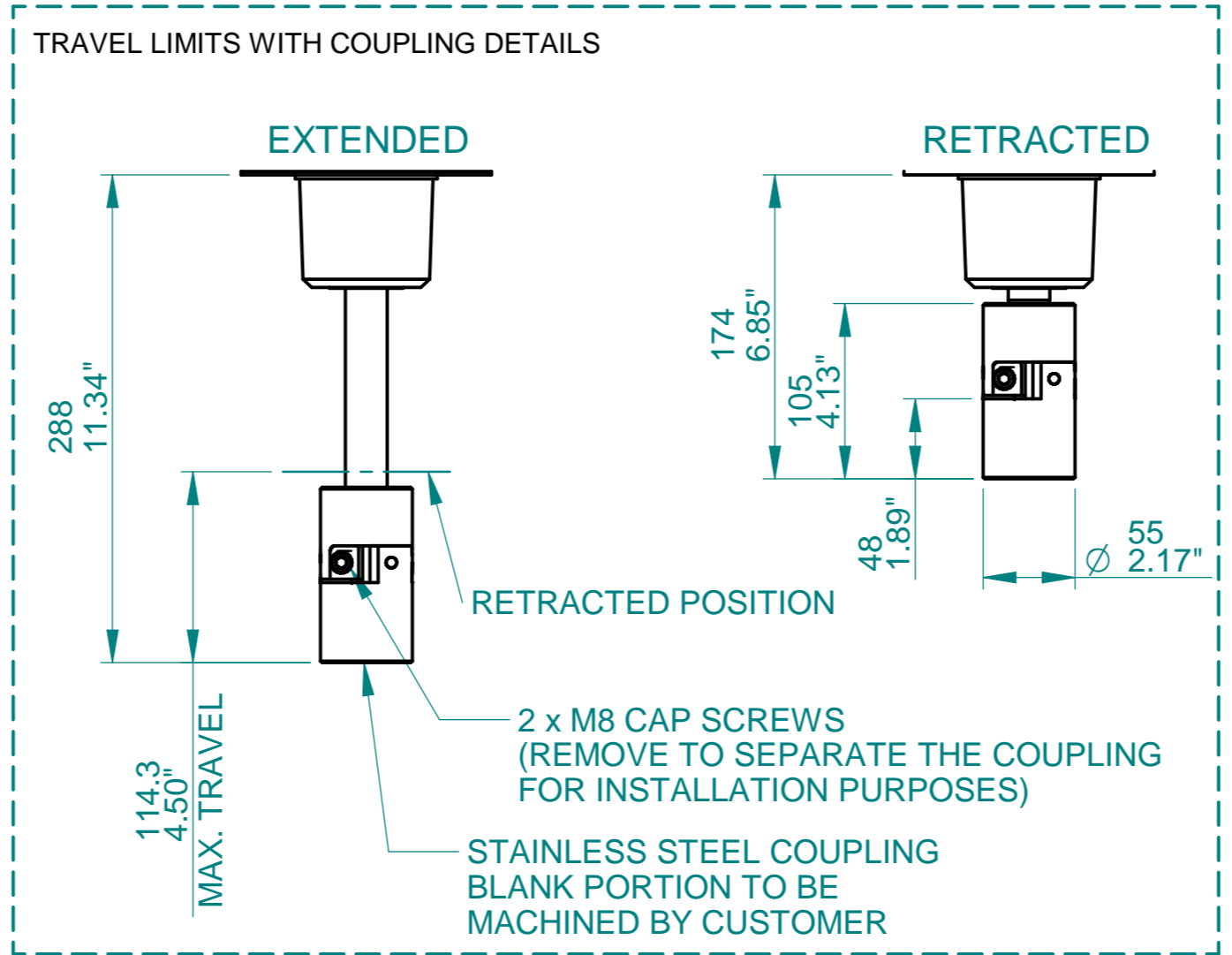
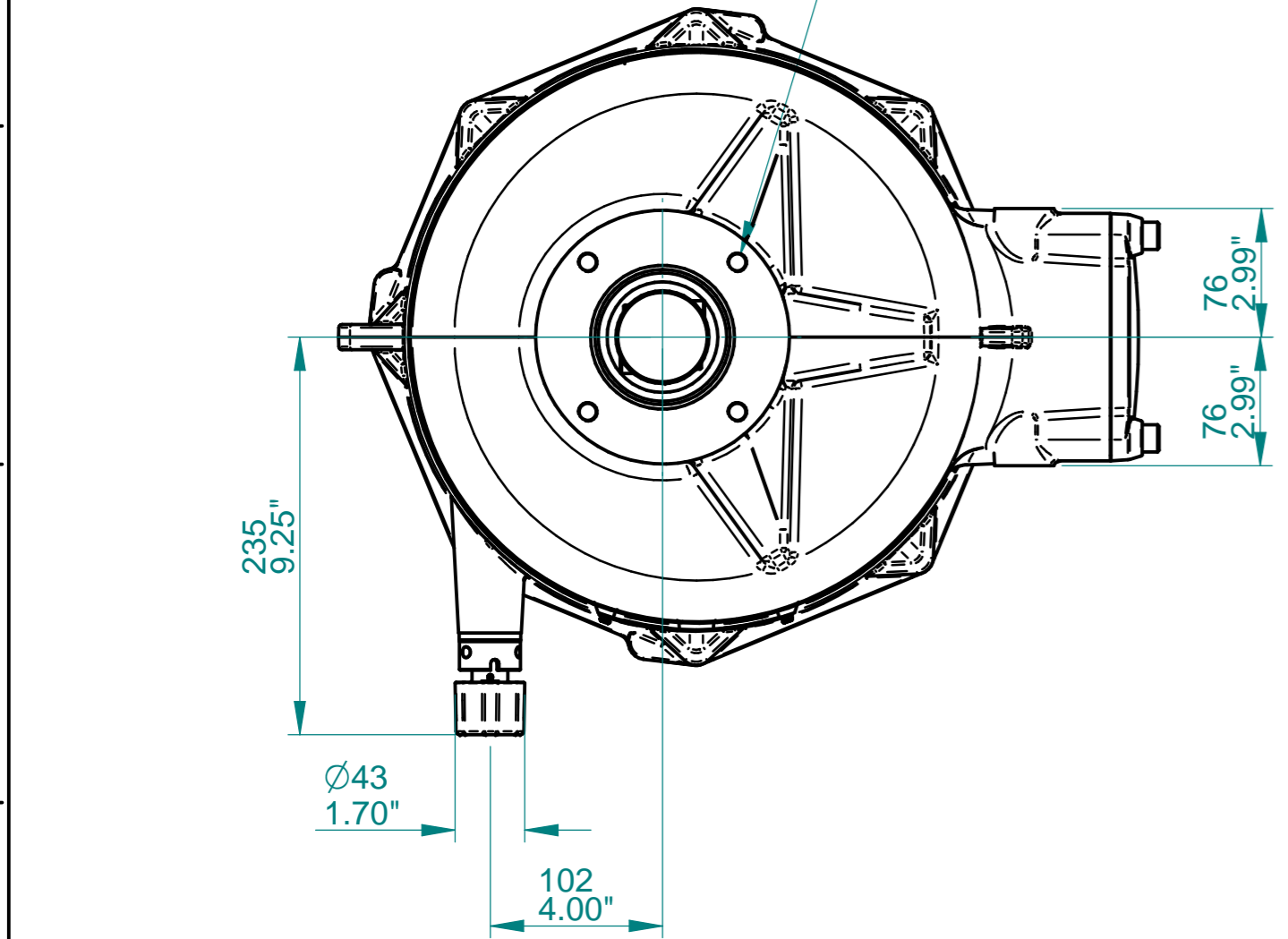


STATUS INDICATION AND BLUETOOTH COMMUNICATIONS



MOUNTING HOLES - 4 off  
 M12 x 1.75p x 24dp EQUI-SPACED ON A 125 PCD (F12 ISO5211)  
 OR 1/2"UNC x 1"dp EQUI-SPACED ON A 4.95" PCD (FA12 MSS SP-102) - IMPERIAL ALTERNATIVE



WARNING:  
 IF THE ACTUATOR IS USED WITHOUT THE FACTORY SUPPLIED COUPLING, THE END STOP MUST BE MAINTAINED AS THIS PROVIDES THE MECHANICAL STOP FOR THE INTERNAL MECHANISM.

THE INTERFACE PROVIDED FOR MOUNTING THE ACTUATOR ONTO THE VALVE SHOULD CONFORM TO GOOD ENGINEERING PRACTICE ENSURING ADEQUATE TOLERANCES, THREAD ENGAGEMENT, SCREW TORQUES, SIZES, MATERIALS AND FORM TOLERANCES.

UNIT WEIGHTS: WITH UPS = 53kg, WITHOUT UPS = 51kg.

Scale 1:4	Projection Do Not Scale	Ref for 1:1 Scale 0 10 20 30mm	<b>rotork</b> Rotork Controls Limited Bath, England BA1 3JQ. Telephone 01225-733200 Telefax 01225-333467 mail @ rotork.co.uk http://www.rotork.com	Title CVL5000 WITH MANUAL OVERRIDE - SPECIFICATION SHEET
A2	Data Sheet	Issue No 3		Sheet No 1 of 1