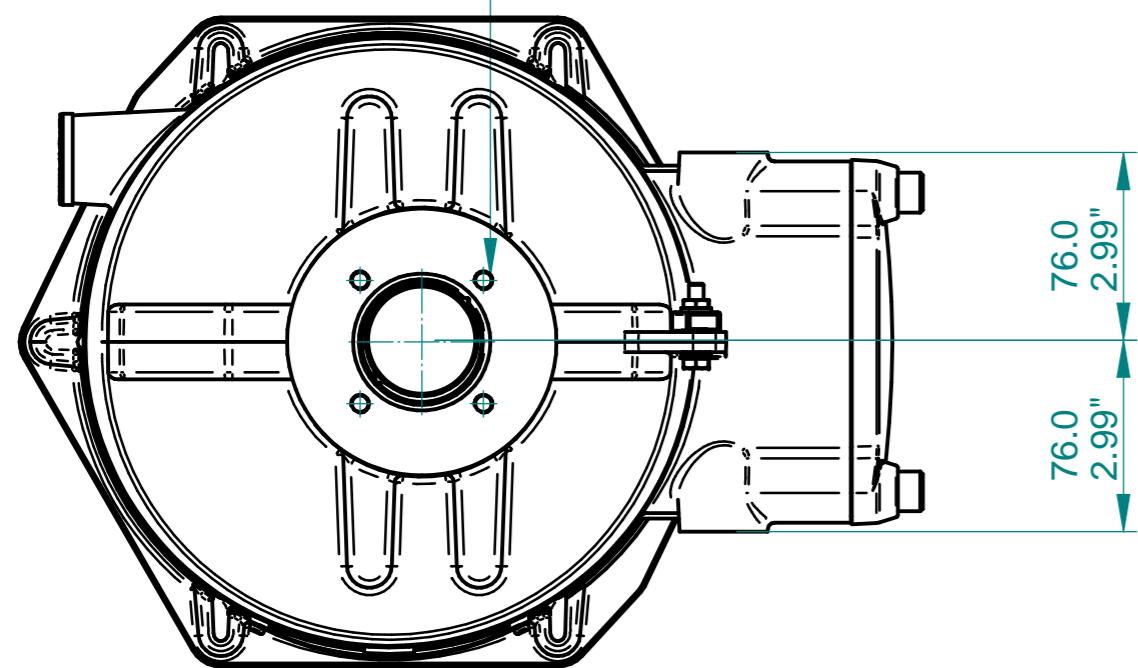
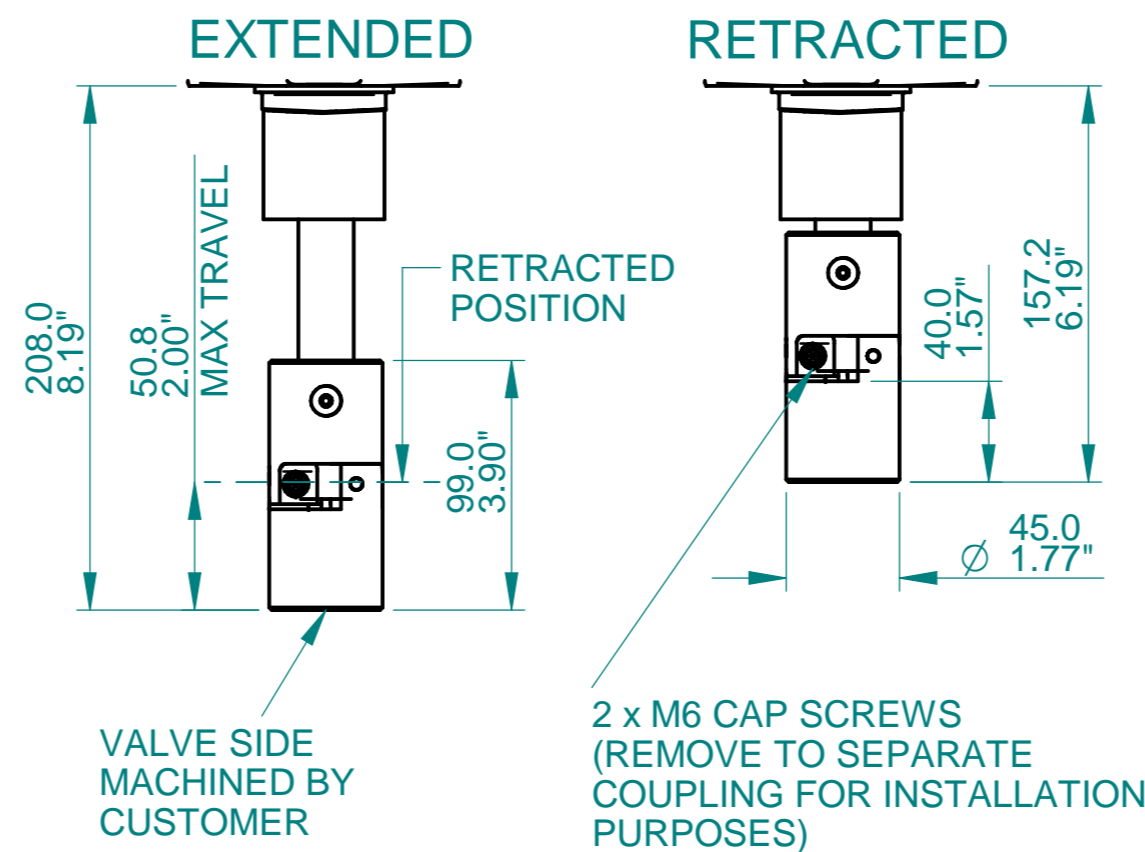


4 holes
M8 x 1.25p x 18.0 full thread.
5/16" UNC x 3/4" full thread (Imperial alternative)
On a 70.00mm/2.75" PCD.



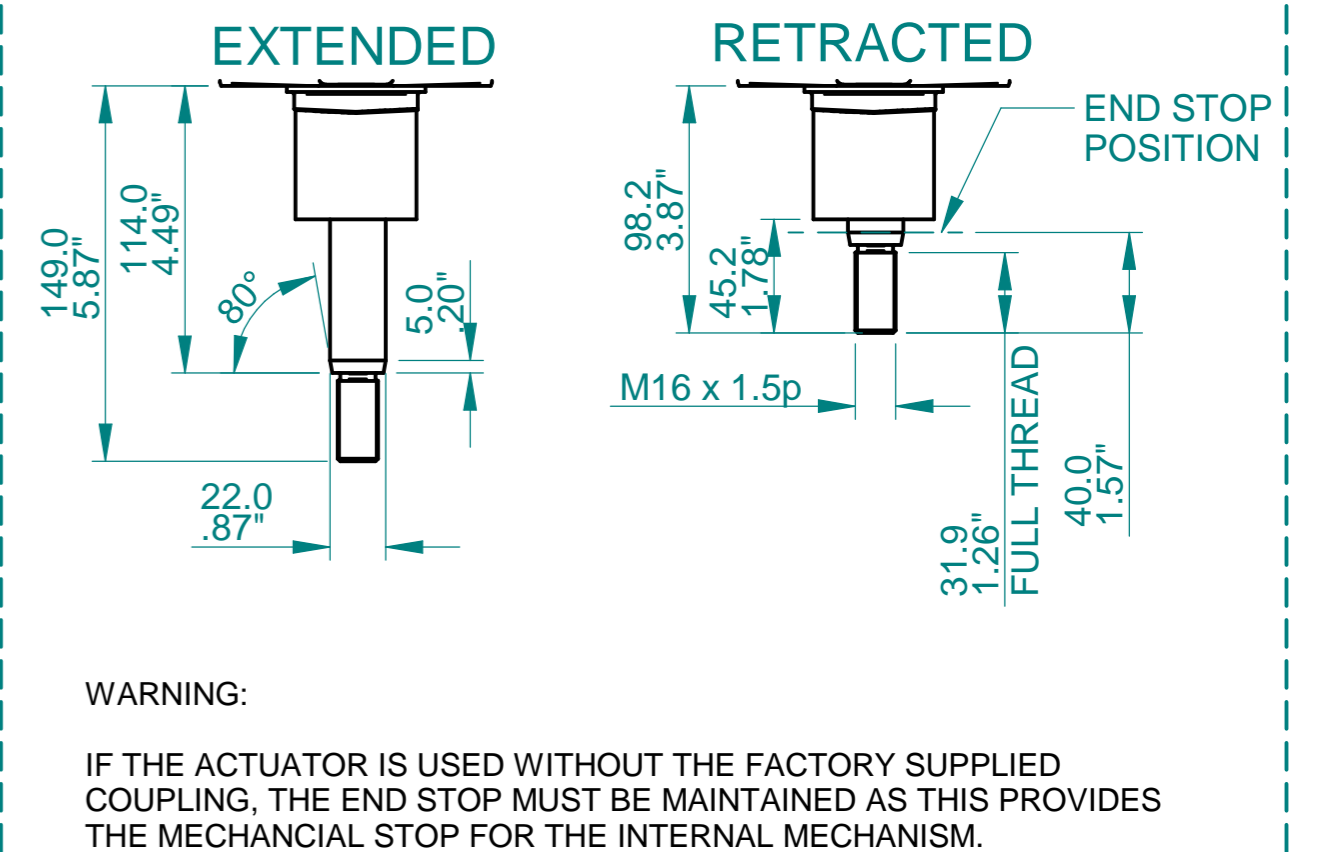
TRAVEL LIMITS WITH COUPLING DETAILS

1:3



TRAVEL LIMITS WITHOUT COUPLING DETAILS

1:3



WARNING:

IF THE ACTUATOR IS USED WITHOUT THE FACTORY SUPPLIED COUPLING, THE END STOP MUST BE MAINTAINED AS THIS PROVIDES THE MECHANICAL STOP FOR THE INTERNAL MECHANISM.

NOTES:
DIMENSIONS WITH *** INDICATE COVER REMOVAL ALLOWANCE.

THE INTERFACE PROVIDED FOR MOUNTING THE ACTUATOR ONTO THE VALVE SHOULD CONFORM TO GOOD ENGINEERING PRACTICES, ENSURING ADEQUATE TOLERANCES, THREAD ENGAGEMENT, SCREW TORQUES, SIZES, MATERIALS & FORM TOLERANCES.

UNIT WEIGHT 24 Kg (53 lbs)

CENTRE OF GRAVITY DIMENSIONS HAVE A TOLERANCE OF ± 20mm

Scale 1:3	Projection Do Not Scale	Ref for 1:1 Scale 0 10 20 30mm	 Rotork Controls Limited Bath, England BA1 3JQ. Telephone 01225-733200 Telefax 01225-333467 mail @ rotork.co.uk http://www.rotork.com	Title CVL1000 / CVL1500 (NO MANUAL OVERRIDE) - SPECIFICATION SHEET	
A2	Data Sheet	Issue No 4		Sheet No 1 of 1	Drawn N.CAMPBELL
CVL3			Date 09-AUG-2012		