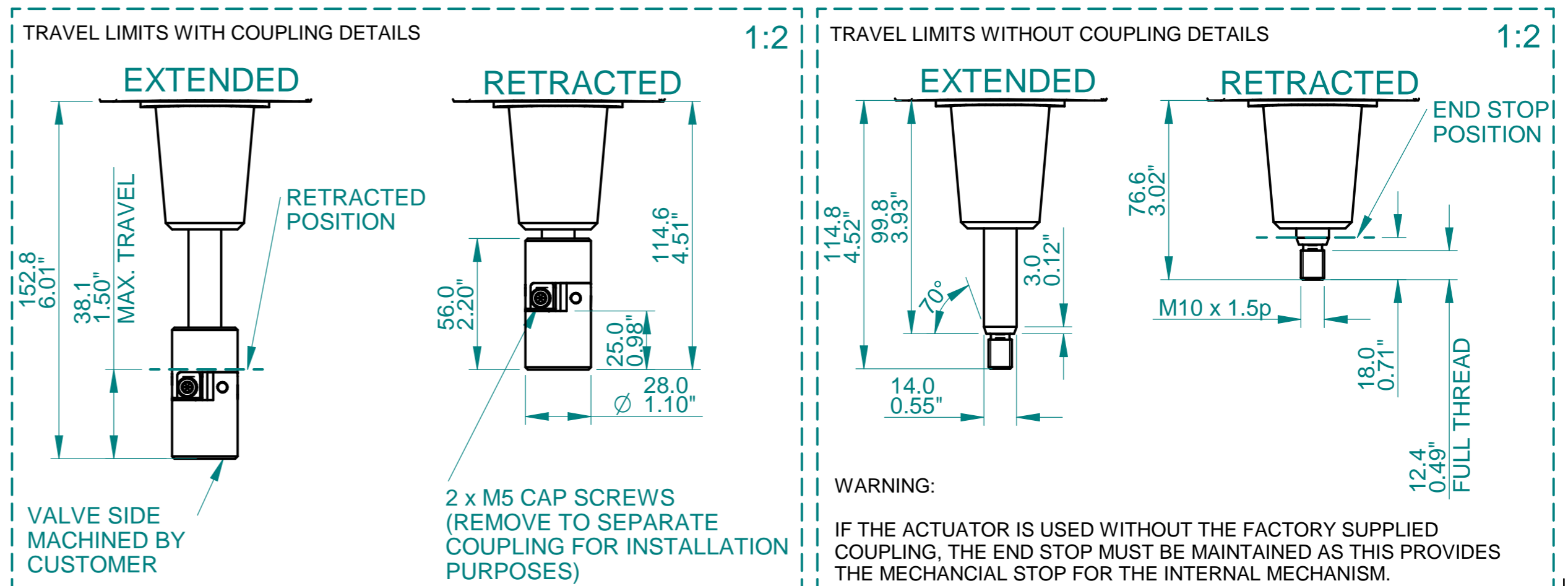
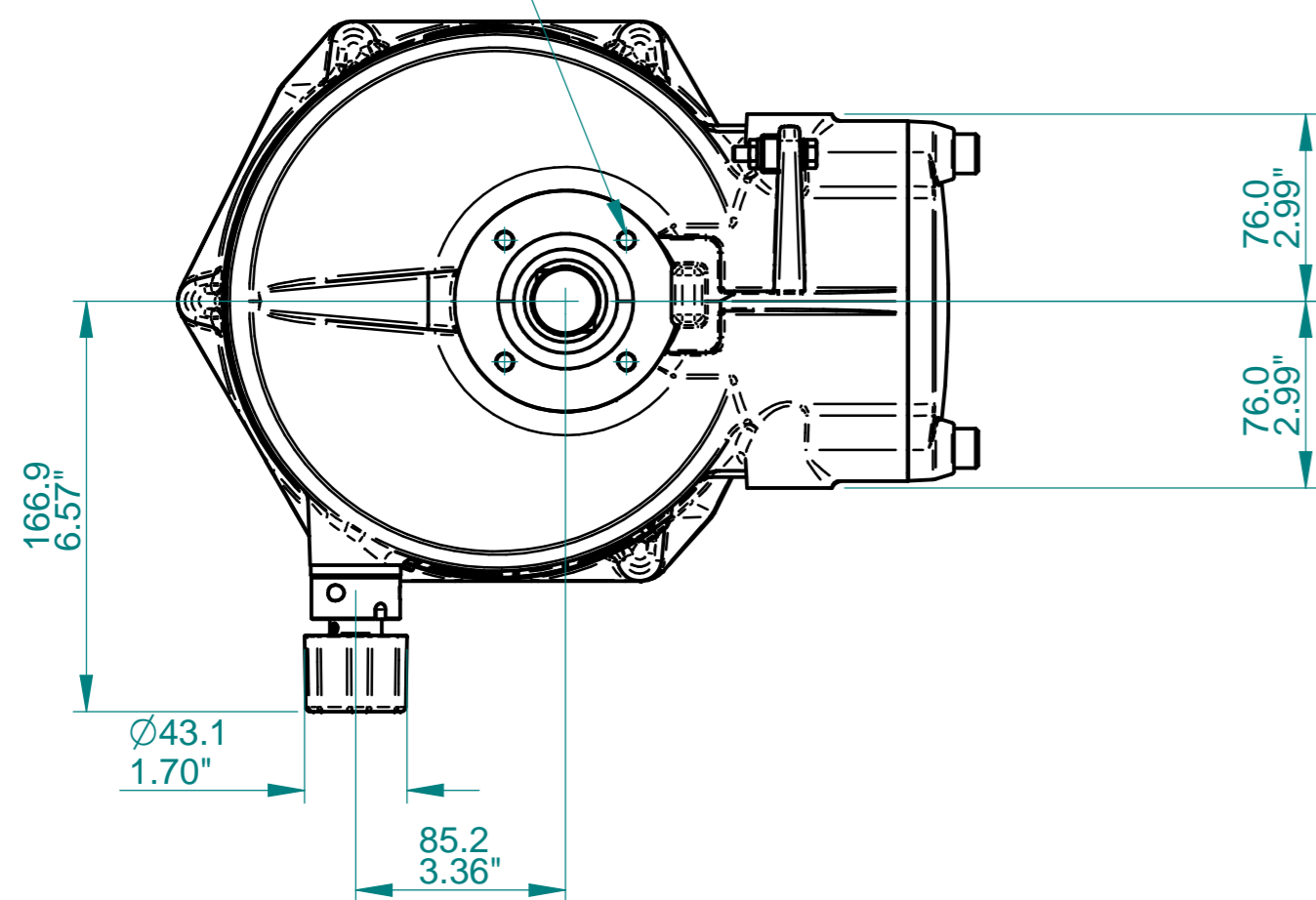


MOUNTING HOLES - 4 off
 M8.00 x 1.25p x 18dp
 5/16" UNC x 3/4" dp (Imperial alternative)
 EQUISPACED ON 70.00 (2.75")PCD



NOTES:
 DIMENSIONS WITH "*" INDICATE COVER REMOVAL ALLOWANCE.

THE INTERFACE PROVIDED FOR MOUNTING THE ACTUATOR ONTO THE VALVE SHOULD CONFORM TO GOOD ENGINEERING PRACTICES, ENSURING ADEQUATE TOLERANCES, THREAD ENGAGEMENT, SCREW TORQUES, SIZES, MATERIALS & FORM TOLERANCES.

UNIT WEIGHT 16Kg (35lbs)

CENTRE OF GRAVITY DIMENSIONS HAVE A TOLERANCE OF +/- 20mm

Scale 1:3	Projection Do Not Scale	Ref for 1:1 Scale 0 10 20 30mm	rotork Rotork Controls Limited Bath, England BA1 3JQ. Telephone 01225-733200 Telefax 01225-333467 mail @ rotork.co.uk http://www.rotork.com	Title CVL500 WITH MANUAL OVERRIDE SPECIFICATION SHEET
A2	Assembly Number CVL2MOR	Issue No 4	Sheet No 1 of 1	Drawn N.CAMPBELL Checked M.EVANS Date 09-AUG-2012