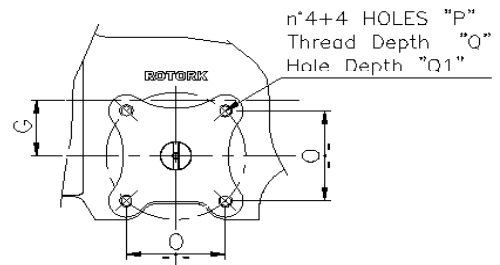
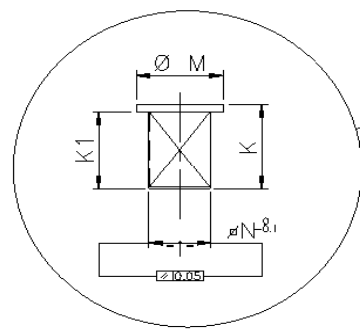
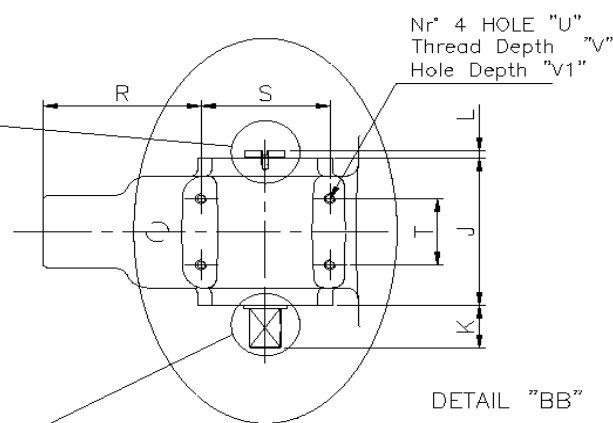
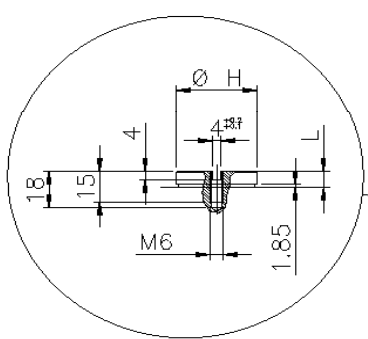
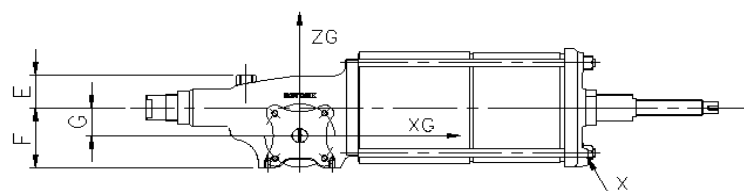
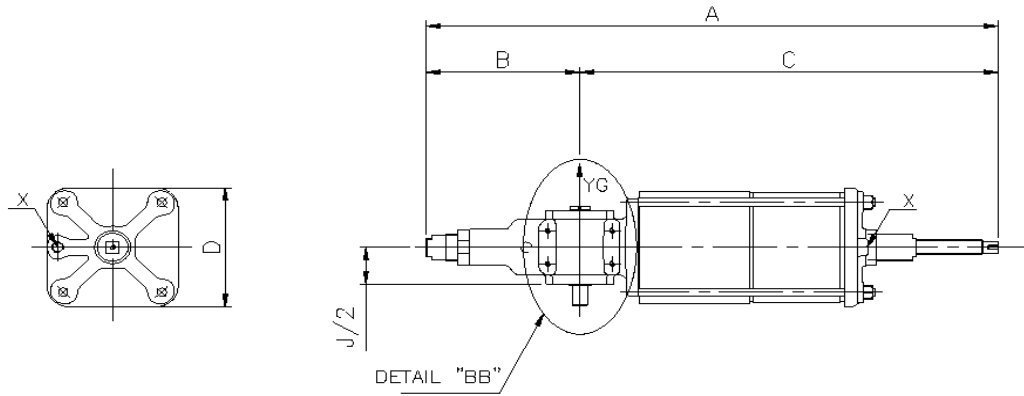


rotork[®]
fluid systems

CP PNEUMATIC ACTUATORS
OVERALL DIMENSIONS
SINGLE ACTING

01	23.10.08	BERNINI	CATELLI
00	28.05.07	BERNINI	CATELLI
rev.	date	drawn	check

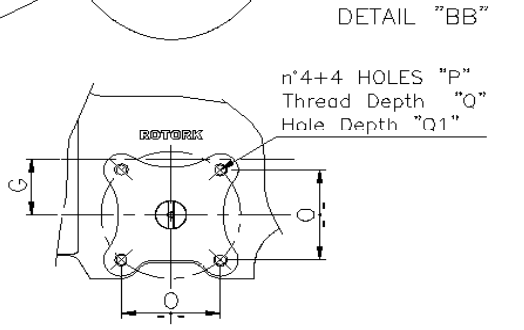
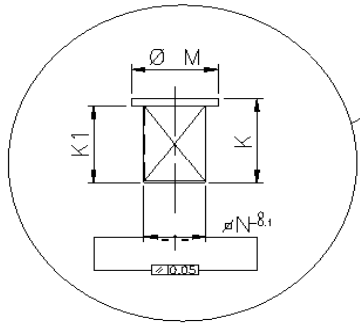
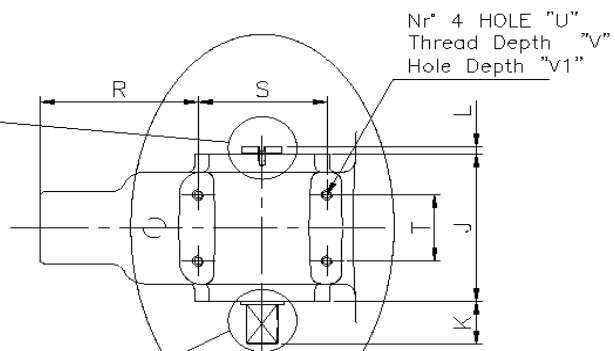
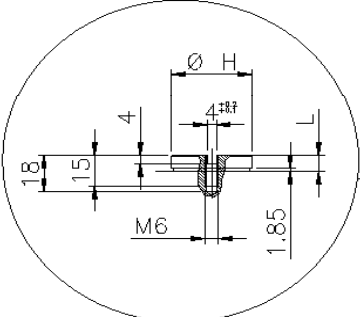
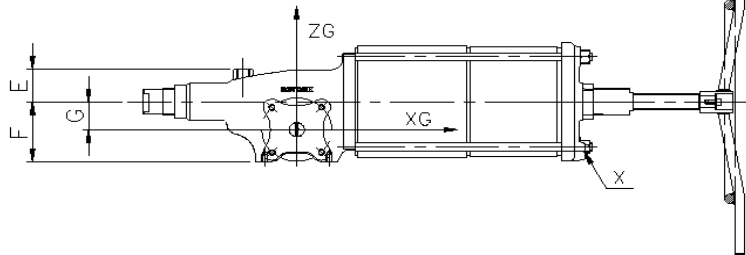
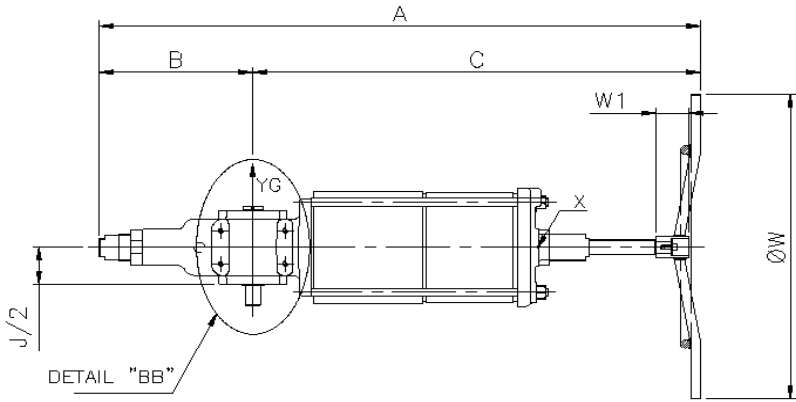
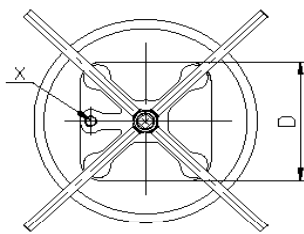
OCPSR000ADC



rotork[®]
fluid systems

CP PNEUMATIC ACTUATORS
OVERALL DIMENSIONS
SINGLE ACTING

01	23.10.08	BERNINI	CATELLI
00	28.05.07	BERNINI	CATELLI
rev.	date	drawn	check
OCPSRE00ADC			



rotork[®]
fluid systems

CP PNEUMATIC ACTUATORS
OVERALL DIMENSIONS
SINGLE ACTING

01	23.10.08	BERNINI	CATELLI
00	28.05.07	BERNINI	CATELLI
rev.	date	drawn	check

OCPSRM00ADC

