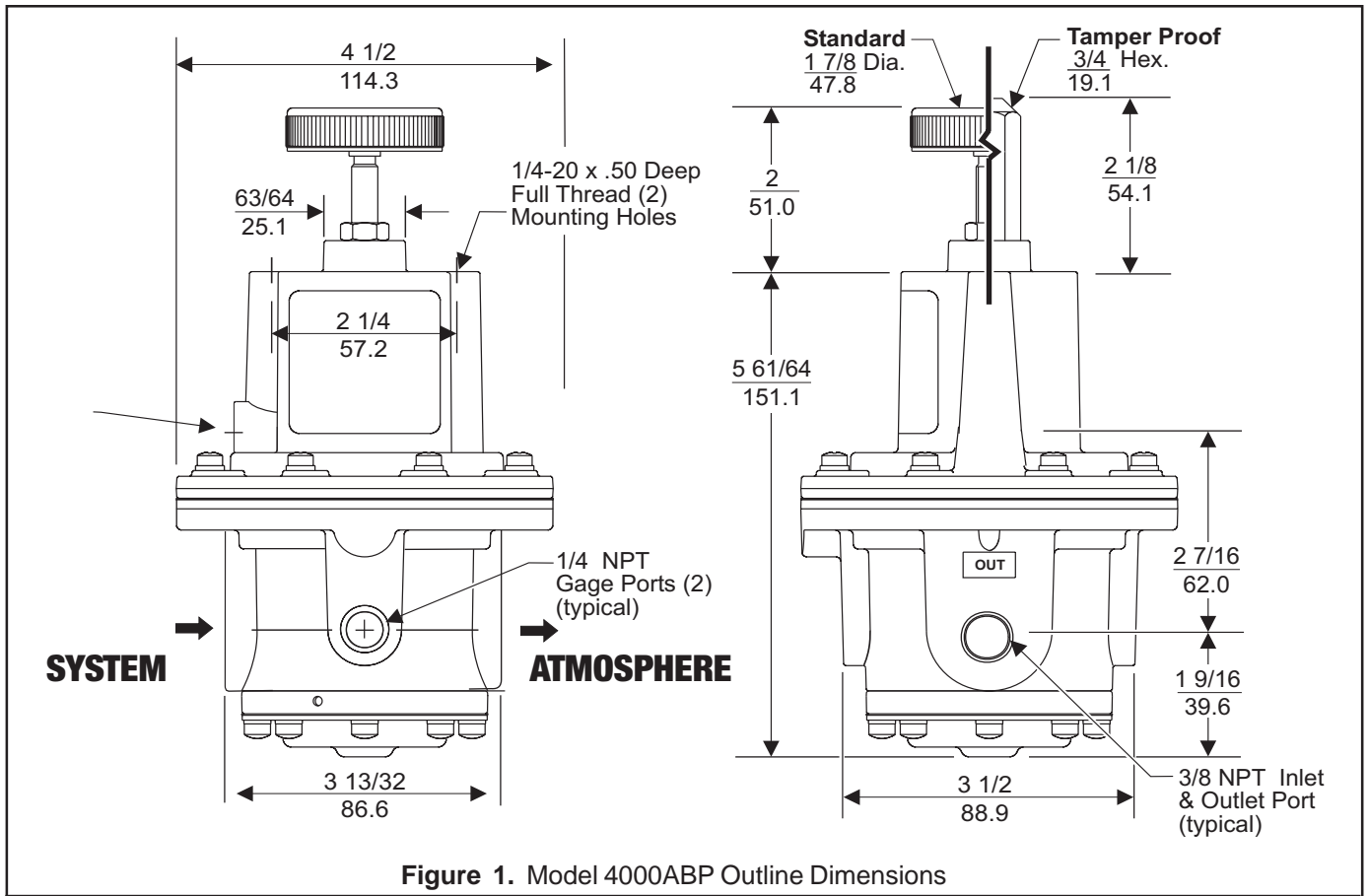


# FAIRCHILD MODEL 4000ABP BACK PRESSURE REGULATOR

## Installation, Operation and Maintenance Instructions



### INSTALLATION

Use the two 1/4-20 tapped holes in the Bonnet to panel mount the Model 4000ABP. You can mount the regulator in any position without affecting its operation.

Clean all pipelines to remove dirt and scale before installation.

Apply a minimum amount of pipe compound to the male threads of the fitting only. **Do Not use teflon tape as a sealant.** Start with the third thread back and work away from the end of the fitting to avoid contaminating the regulator. Install the regulator in the air line.

The Inlet and Outlet ports are labeled "In" and "Out". Tighten all connections securely. Avoid undersized fittings that will limit the flow through the regulator. For more information, see Figure 1.

**NOTES:** Oil free air must be applied to the regulator. Use a filter to remove dirt and entrained liquid in the air line ahead of the regulator. If an air line lubricator is used, it **MUST** be located downstream of the regulator to avoid interference with performance.

### OPERATION

The Model 4000ABP is a high-flow, back pressure regulator that precisely controls a set pressure.

Before you place the regulator into service for the first time, turn the Regulator Knob counterclockwise to relieve the tension on the Range Spring. To operate the regulator, slowly turn the knob in a clockwise direction until it reaches the required set pressure. For more information, see Figure 1.

# MAINTENANCE

To clean the Model 4000ABP, use the following steps:

1. Shut off system pressure to the regulator to prevent air from escaping. It is not necessary to remove the regulator from the air line.
2. Turn the Knob Assembly counterclockwise to relieve the compression on the Range Spring.
3. Remove the six Screws from the Bonnet Assembly. For more information, see Figure 2.
4. Remove the Bonnet, Spring and Diaphragm Assembly.
5. Wash the Diaphragm Assembly with a solvent. Exercise care to prevent damage to diaphragms and valve facings. **Avoid solvents such as acetone, carbon tetrachloride and trichlorethylene.**
6. Carefully reassemble the unit. Ensure that the Vent in the Bonnet is clear. For more information, see Figure 2.

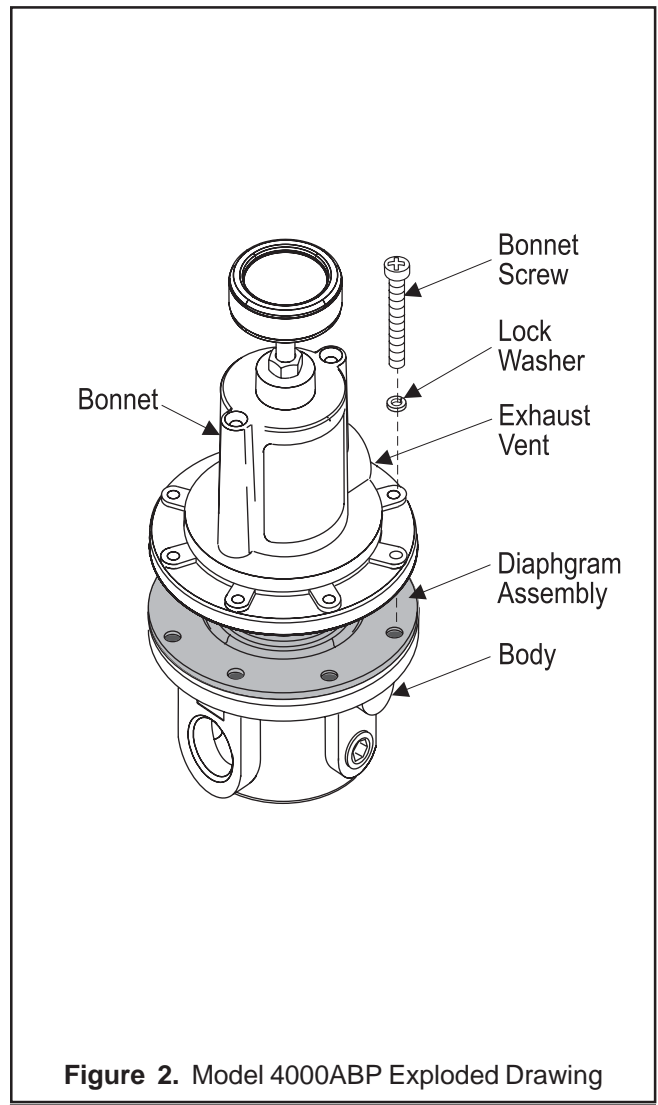


Figure 2. Model 4000ABP Exploded Drawing

## Troubleshooting

Problem	Source	Solution
Leakage	<ul style="list-style-type: none"> <li>• Body Screws</li> <li>• Diaphragm</li> </ul>	Tighten the screws
Difficult to adjust	<ul style="list-style-type: none"> <li>• Adjusting Screw and Ball</li> <li>• Seal ring lubrication</li> </ul>	<ul style="list-style-type: none"> <li>• Adjust the screw and Ball</li> <li>• Check the lubrication</li> </ul>

**NOTE:** If the standard maintenance procedure does not correct the problem, install the appropriate service kit.

### LEGAL NOTICE:

The information set forth in the foregoing Installation, Operation and Maintenance Instructions shall not be modified or amended in any respect without prior written consent of Fairchild Industrial Products Company. In addition, the information set forth herein shall be furnished with each product sold incorporating Fairchild's unit as a component thereof.



ISO 9001:2000  
Certified