

INSTALLATION, OPERATION AND MAINTENANCE INSTRUCTIONS FOR FAIRCHILD MODEL PL-5 PANEL LOADING STATION

GENERAL INFORMATION

The Model PL-5 panel loading station furnishes a means of monitoring and manually controlling supply pressure. It offers five regulator options and the applicable gages.

**Specifications
Model PL-5**

PRESSURE REGULATORS

	10	30	64A/65A	81
Flow Capacity (SCFM) [m ³ /HR] 100 psig [7.0 BAR] (700 kPa) supply 20 psig [1.5 BAR] (150 kPa) set	40 [68]	30 [51]	22 [37.4]	50 [85]
Exhaust Capacity (SCFM) [m ³ /HR] Downstream Pressure 5 psig [.35 BAR] (35 kPa) above set	5½ [9.4]	2 [3.4]	1 [1.7]	5½ [9.4]
Sensitivity	½" (.3 cm) W.C.	¼" (.63 cm) W.C.	1" (2.54 cm) W.C.	.01" (.254 cm) W.C.
Effect of Supply Pressure variation psig /100 psig [7.0 BAR] (700 kPa) change	0.1 psig [.007 BAR] (.7 kPa) max	0.2 psig [.014 BAR] (1.4 kPa) max		0.2 psig [.014 BAR] (1.4 kPa) max
psig /25 psig [1.7 BAR] (170 kPa) change			0.1 psig [.007 BAR] (.7 kPa) max	
Supply Pressure	500 psig [35 BAR] (3500 kPa)	250 psig [17 BAR] (1700 kPa)		
Ambient temperature °F [C]	-40/+200 [-40/93.3]	-40/+200 [-40/93.3]	-40/+180 [-40/82]	-40/+200 [-40/93.3]

PRINCIPLES OF OPERATION

The PL-5 Panel Loading Station incorporates the Model 10, 30, 64A, 65A, or 81 pressure regulator connected to a single gage. For operating principles see the Installation, Operation and Maintenance instructions for the specific regulator supplied as a part of the unit. Pressure gage contains a standard Bourdon tube for measuring pressure.

Panel Loading Station PL-5 consists of a standard regulator (one of 5 options) and a standard 3½" gage configured to monitor the output of the regulator. The set point of the regulator is adjusted manually.

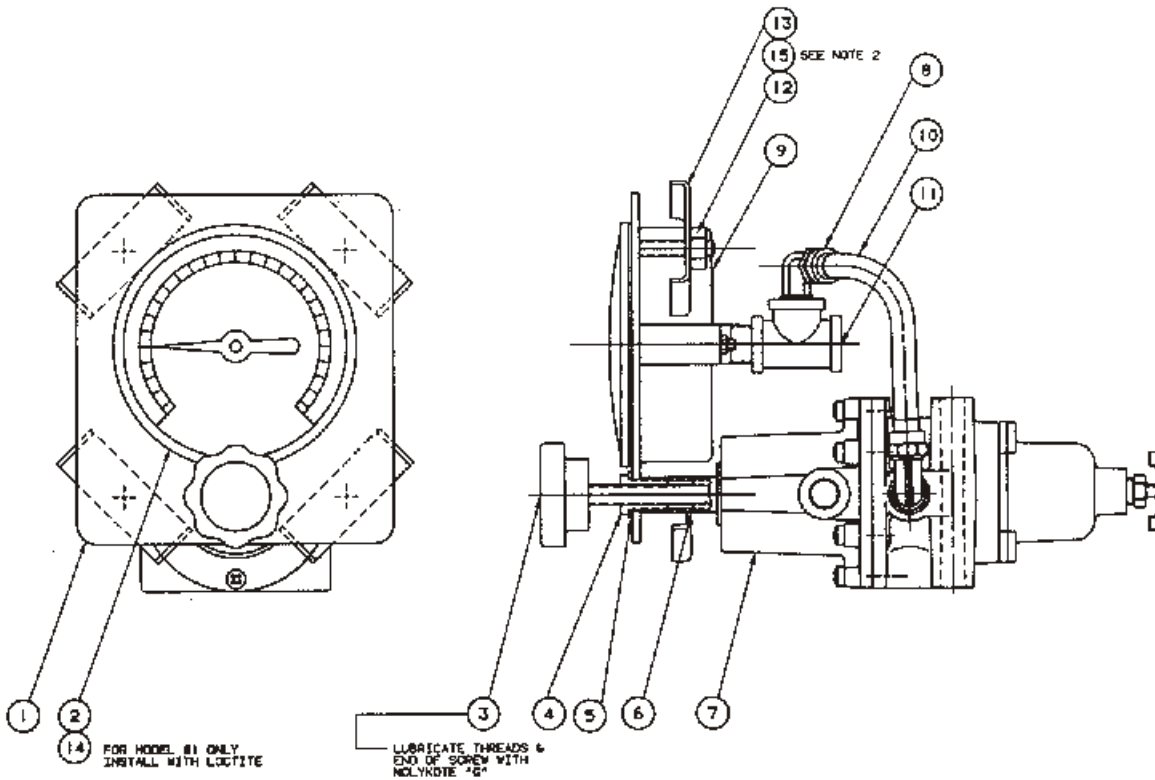
INSTALLATION

MODEL PL-5 PANEL LOADING STATION

Model	Panel Opening* (Width by Height)
PL5	4 $\frac{1}{8}$ " x 4 $\frac{9}{16}$ "

*All Dims. + $\frac{1}{8}$ " -0
 PL5 fits ISA RPC cutouts "A & B"
 Inlet and outlet connections are $\frac{1}{4}$ " NPT

Depth from panel depends on regulator used:
 Model 10 - 5 $\frac{5}{8}$ ", Model 30 - 4 $\frac{5}{8}$ ",
 Model 64A - 6 $\frac{1}{2}$ ", Model 65A - 8 $\frac{1}{4}$ ",
 Model 81 - 4 $\frac{3}{4}$ "



ED-9423

Model PL-5

The inlet and outlet connections to the panel loading station are ¼ NPT. The figure below supplies outline dimensions for installation.

Clean all lines to the panel loading station to remove dirt and scale before installation is made. Apply minimum amount of pipe compound to male threads of air line only. Start with third thread back and work away from end of line to avoid possibility of getting com-

pound into the meter or regulator. Inlet and outlet connections to the regulator are labelled and should be tightened securely. Avoid undersized fittings that will limit flow through the regulator and cause pressure drop down stream.

The use of a filter to remove dirt and entrained liquid in the air line ahead of the regulator is recommended for best performance.

ADJUSTMENTS

No field adjustments are necessary.

OPERATION

Panel loading stations as shipped have regulators set at approximately ½ psig [.035 BAR] (3.5 kPa). The table below indicates the approximate number of turns of the control knob necessary to achieve full pressure range for the specific regulator.

PRESSURE REGULATORS

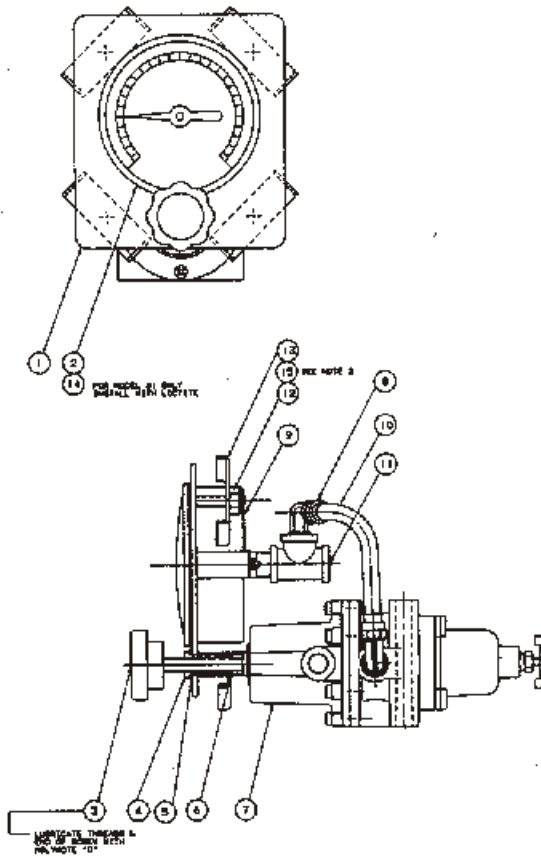
	10	30	64A/65A	81
--	----	----	---------	----

*No. of turns	17	10	16	5
---------------	----	----	----	---

*Will vary with pressure range option for each regulator. To increase set point pressure, the knob is turned in a clockwise direction. For decreased output pressure the knob is turned counterclockwise.

TROUBLE SHOOTING

Problem	Check
Gage Reading Inaccurate	Gage Pointer
Gage Inoperative	Wear on Pinion and sector hair spring.
Leakage	See Installation, Operation and Maintenance Instruction for specific regulator.



GAGE RANGE, SEE TABLE 4
 REG. OUTPUT, SEE TABLE 3
 GAGE STYLE, SEE TABLE 2
 REGULATOR, SEE TABLE 1

PL 5 - * - * - * - *

TABLE 1 REGULATOR		
MODEL	ASSEMBLY DWG.	
10	EB-9429-	10
30	EB-9430-	30
64A	EB-16346-	64A
65A	EB-16159-	65A
81	ZA-12791-	81

TABLE 2 GAGE STYLE		
GRADUATIONS		
RECEIVER	0-100%	R
PLAIN	psig	P

TABLE 3 OUTPUT RANGE				
psig	[BARI]	(kPa)		
20	1.6	150	20	
30	2.0	200	30	
60	4.0	400	60	
100	7.0	700	100	
150	10.0	1000	150	

TABLE 4 GAGE				
GAGE	GAGE RANGE			
	psig	[BARI]	(kPa)	
EC-9428-16	16	1.0	100	16
EC-9428-30	30	2.0	200	30
EC-9428-60	60	4.0	400	60
EC-9428-100	100	7.0	700	100
EC-9428-15R				15R

Gauge Removal

1. Disconnect air line to the gauge.
2. The gauge may be removed by removing the nut and clamp (2 each) which hold the gauge in the panel assembly.

Regulator Removal

1. Disconnect air line to the regulator.
2. The regulator may be removed by loosening knob assembly. The assembly can be unscrewed from the regulator.
3. Remove EB-9481 bushing using a hex wrench. This will allow the regulator to be withdrawn from the rear of the assembly.

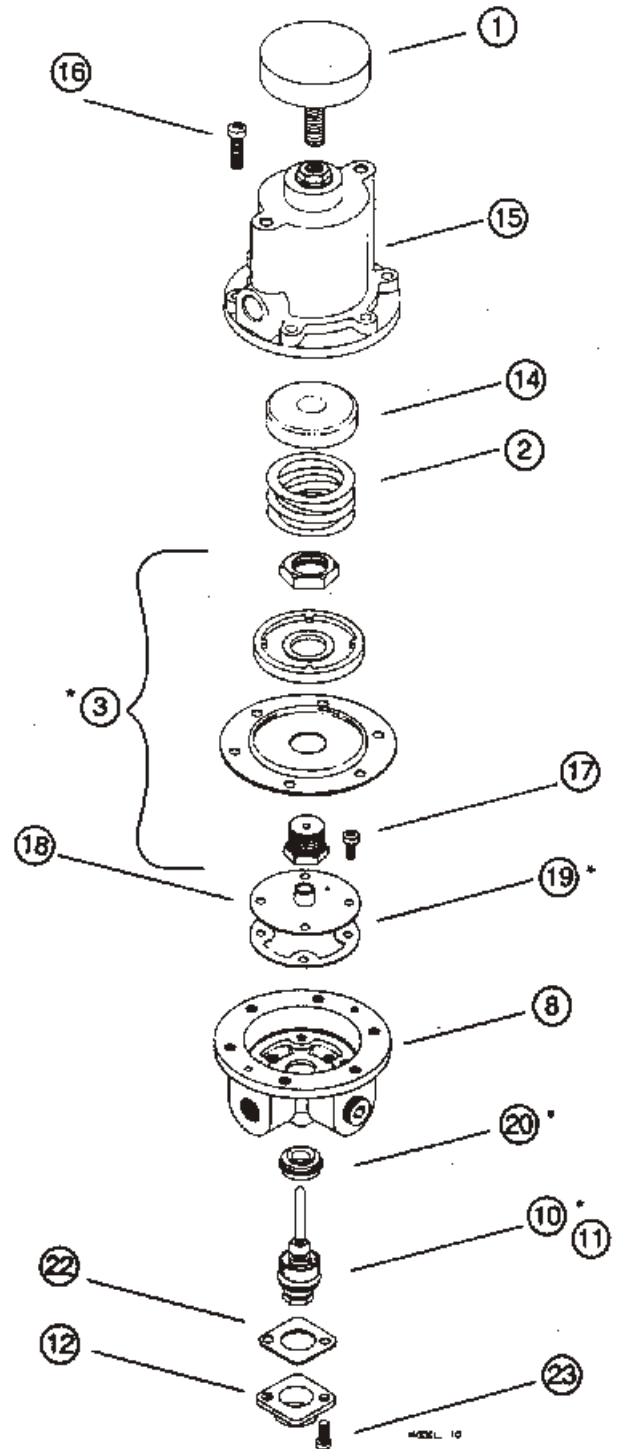
SERVICE KIT INSTALLATION

Model 10 Service Kit

1. Check parts in the EA-1212()-() service kit against the parts marked with an asterisk in the exploded view and the associated table.
2. Mark Body (8) and Bonnet Assembly (15) so that they can be reassembled properly.
3. Turn Knob Assembly (1) counterclockwise to release pressure on the Range Spring (2).
4. Remove six screws (16) holding Bonnet assembly (15) to Body (8).
5. Remove Body (8), Spring Seat (14), and spring (2) and set aside.
6. Remove Diaphragm Assembly (3) from Body (8).
7. Remove two screws (23) holding Retainer Cap (12) to Body (8). Remove Retainer Plate (22).
8. Using a soft material mallet, tap out Inner Valve Assembly (10) from Body (8).
9. Remove four screws (17) holding Seal Plate-Assembly (18) to Body (8).
10. Remove Seal Plate Assembly (18) and set aside. Remove seal Plate Gasket (19) and discard.
11. Using a wooden dowel rod, tap out the relief Seat (20) from the top side of Body (8) and discard.
12. Secure Relief Seat (20) from the service kit and insert into bottom well of Body (8), shoulder end first, until it is seated in the bottom of the well.
13. Secure seal plate gasket (19) from service kit and align the gasket (19) so that the indents for hole clearance are clear of the holes in the Body.
14. Place Seal Plate Assembly (18) into top of Body (8) so that the aspirator tube extends into the cutout in the Body (8) directly opposite the OUT port. Secure Seal Plate Assembly (18) to Body (8) using four screws (17).
15. Secure Inner Valve Assembly (10) from the service kit and insert it into the bottom well of Body (8). Tap in place so that the inner Valve Assembly (10) is seated. Place Retainer Plate (22) on Body (8) so that the holes in the Plate (22) are aligned with holes in the Body (8). Place Retainer Cover (12) over the Inner Valve Assembly (10) and secure to Body (8) with two screws (23).
16. Secure Diaphragm Assembly (3) from the service kit and align six holes in Diaphragm Assembly (3) with holes in the Body (8).
17. Place Spring (2) in well on the Diaphragm Assembly (3). Place spring seat (14) on top of the Spring (2).
18. Place Bonnet Assembly (15) on the Body (8) with exhaust port in Bonnet directly above OUT port in Body so the marks placed on Body (8) and Bonnet Assembly (15) in Step 2 coincide. Fasten Bonnet Assembly (15) to Body (8) with six screws (16).
19. Reinstall the regulator in accord with installation Instructions in the IOM and follow instructions in the operating section for placing the regulator back in service.

Index	Part No.	Description
1	EB-15121-1	Knob Assembly (for PL5)
2	EB-6060-	Spring
*3†	EB-6091-1	Diaphragm Assembly
4	EB-8091	Nut
5	EB-1838	Piston
6	EB-15358-1	Diaphragm
7	EB-6088-1	Relief Seat Assembly
8	EB-14745	Body Assembly
9		
*10†	EB-1820	Inner Valve Assembly
*11†	EB-7156	O-Ring
12	EB-7136	Retainer Cap
13	EB-1120	Jam Nut
14	EB-6058	Spring Seat
15	EB-9457-1	Bonnet Assembly
16	EB-1032-12	Screw
17	EB-1032-5	Screw
18	EB-1948-	Seal Plate Assembly
*19†	EB-6053	Gasket
*20†	EB-6070	Seat Ring
21	EB-6017	Screen
22	EB-6027	Retainer Plate
23	EB-1032-5	Screw
24	EB-6097-	Nameplate
25	EB-7057-2	Cap Nut
26	EB-8159-16	Adjusting Screw
27	EB-9921	Mounting Bracket
28	EB-7032	Diaphragm
29	EB-10166	Piston
30	EB-10167	Spacer
31	EA-10168	Nut
32	EB-1032-18	Screws
33	EA-10272	Diaphragm Assembly
34	EB-13601	Nut
35	EA-14623-1	Washer Slip
36	ED-1821-	Inner Valve & Body Assembly
37	EB-10364	Gasket

*EA-1212()-() Service Kit Components



SERVICE KIT INSTALLATION

Model 30 Service Kit

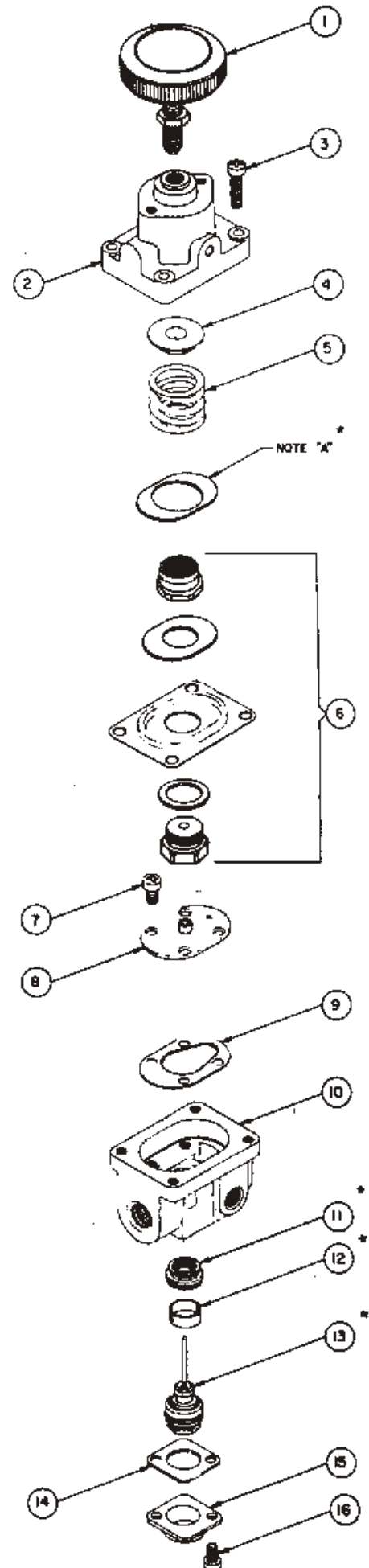
NOTE: PRODUCT IMPROVEMENT CHANGES HAVE BEEN INCORPORATED IN THE REGULATOR. AS A RESULT, KIT PARTS MAY NOT LOOK EXACTLY LIKE THE PARTS WHICH THEY WILL REPLACE. IN ORDER FOR THE REGULATOR TO PERFORM PROPERLY, ALL PARTS IN THE KIT MUST BE UTILIZED.

1. Check parts in the EB-16116 service kit against the parts marked with an asterisk in the exploded view and the associated table.
 2. Mark bonnet (2) and body (10) so they can be reassembled properly. Remove four screws (3) holding bonnet (2) to body (10).
 3. Set aside bonnet (2), range spring washer (4) and range spring (5).
 4. Remove diaphragm assembly (6) and discard.
 5. Remove four screws (7) holding seal plate (8) to body (10).
 6. Remove two screws (16) holding retainer plate (14) and cup (15) to body (10).
 7. Remove retainer plate (14), cup (15), inner valve assembly (13) and screen (12).
 8. Remove seal plate assembly (8) from body (10) and discard.
- NOTE: It will be necessary to lift and twist the plate in order to remove it. Make sure that the aspirator is not damaged in the process of removal.**
9. Remove seal plate gasket (9) from body (10) and discard.
 10. Using a suitable dowel rod, tap out the seat ring assembly (11) from body (10) and discard.
 11. Secure seat ring assembly (11) from service kit and drop into bottom hole in the body (10), brass end first. Insure that it is seated against the shoulder in body (10).

12. Secure seal plate gasket (9) from service kit and place in body (10), narrow end of hole over the port in the body (10) marked with an arrow going out of body.
 13. Using four screws (7) secure new seal plate (8) to body (10) with aspirator extending into port identified in step 12.
 14. Place filter screen (12) from service kit in the groove in inner valve assembly (13) from service kit. Insert the assembly into the hole in the bottom of the body (10), aligning pintle of the inner valve assembly (13) so that it drops in to seal plate (8) center tube.
 15. Tap inner valve assembly (13) so that the brass shoulder is flush with the bottom of the body (10). Place retainer plate (14) over the inner valve assembly (13) aligning it with holes in the body (10).
 16. Place retainer cap (15) over the retainer plate (14) and secure to body (10) with two screws (16).
 17. Secure diaphragm assembly (6) from service kit and place on body (10) so that the oval cup faces up and the four holes in the diaphragm assembly (6) are aligned with holes in the body (10). See Note A.
- CAUTION: Make sure that the hole in the center of diaphragm assembly (6) is directly over the inner valve assembly (13) pintle.**
18. Set range spring (5) over the nut on top of diaphragm assembly (6) and set spring cup (4) on top of the range spring (5), range screw recess facing up. Place some Molykote grease in the recess.
 19. Place bonnet (2), over body (10) making sure that marks from step 3 are aligned.
 20. Using four screws (3), secure bonnet (2) to body (10).
 21. Reinstall the regulator in accord with installation instructions in the IOM and follow instructions in the operators section for placing the regulator back in service.

Index	Part No.	Description
1	EB-15821-1	Knob Assembly (for PL5)
2	EB-9456	Bonnet
3	EB-1032-12	Screw
4	EB-7145	Spring Seat
5	EB-7141-()	Spring
*6	EB-15838-1	Control Diaphragm Assembly
*6A	EB-16122-1	Gasket
7	EB-1032-5	Screw
8	EB-15884-1	Seal Plate Assembly
*9	EB-(158)-1	Gasket
10	EB-15614	Body
*11	EB-6070	Seat
*12	EB-6017	Screen
*13	EB-1820	Inner Valve Assembly
14	EB-6027	Retainer Plate
15	EB-7136	Retainer Cap
16	EB-1032-6	Screw

*EB-16116- Service Kit Components



NOTE A:
 GASKET TO BE APPLIED (IF REC'D) TO PISTON AT
 TOP OF DIAPHRAGM ASSEMBLY. USE ONLY WITH
 MODEL 30 UNITS HAVING OLD STYLE BONNETS.

SERVICE KIT INSTALLATION

Model 64A and 65A Service Kit

1. Check parts in the EA-1613 ()-() kit against the parts marked with an asterisk in the exploded view and the associated table.
2. Turn screw on Bonnet Assembly (2) to relieve tension on Spring (4). Mark Body Assembly (8), Bonnet Assembly (2) and Dripwell Assembly (11) so that they can be properly reassembled. Remove six Screws (15) holding Bonnet Assembly (2) to Body Assembly (8).
3. Remove Bonnet Assembly (2), Spring Seat (3) and Spring (4) and set aside.
4. Remove Diaphragm Assembly (5) from Body Assembly (8).
5. Remove Relief Seat (17) and set aside.
6. Remove four Screws (12) holding Dripwell Assembly (11) to Body Assembly (8). Remove Dripwell Assembly (11) and set aside. Remove O Ring (13) from Body Assembly (8).
7. Remove Screw (10) holding Filter Element (7) in Body Assembly (8). Set aside Filter Retainer (9), Filter Element (7), Spring (14) and Pintle (6).
8. Unscrew Seat Extension (16B) and set aside.
9. Turn Body Assembly (8) so that the bottom well is facing up. Press out Seat (16A) and remove O Ring (18).
10. Using O Ring from the kit, replace the Ring (16) on the Seat (16A). Orient the Body Assembly (8) so that the hexagonal cutout is facing up. Place Seat (16A) into the cutout making sure that the hole in Seat (16A) is aligned with the hole in the OUT port.
11. Orient the Body Assembly (8) so that the Filter (7) well is facing up. Place O Ring (18) from kit over the bottom of Seat (16A) so that it fits into the O Ring well around the Seat.
12. Screw the Seat Extension (16B) on the Seat (16A).
13. Secure Pintle (6) and Spring (14) from service kit.
14. Insert Pintle (6), long end first, pintle Spring (14) into Seat Extension (16B).
15. Place Filter Element (7) into Body Assembly (8) and secure with Filter Retainer (9) and Screw (10) to one side of filter chamber to fit body hole.
16. Place O Ring (13) from kit in the cutout in Body Assembly (8).
17. Using four Screws (12) attach Dripwell Assembly (11) to Body Assembly (8) making sure that marks on the Dripwell Assembly (11) and Body Assembly (8) made in Step 1 coincide.
18. Orient assembly in Step 17 so that Pintle (6) end is facing up.
19. Place Relief Seat (17) set aside in Step 3 on Pintle (6).
20. Place Diaphragm Assembly (5) from kit with Spring Seat facing up, over the Relief Seat (17) so that it extends through the center hole of the Diaphragm Assembly (5) and the six holes in Diaphragm Assembly (5) are aligned with six holes in Body Assembly (8).
21. Place Spring (4) on the Spring Seat in the Diaphragm Assembly (5). Place Spring Seat (3), cup end down, on top of Spring (4).
22. Place Bonnet Assembly (2) on Body Assembly (8) so that the six holes on Body Assembly (8) are aligned with six holes in the Diaphragm Assembly (5) and marks made on the Assemblies in Step 2 are aligned. Attach with six Screws (15).
23. Reinstall the Regulator in accordance with installation instructions in the IOM and follow instructions in the operation section for placing the Regulator back in service.

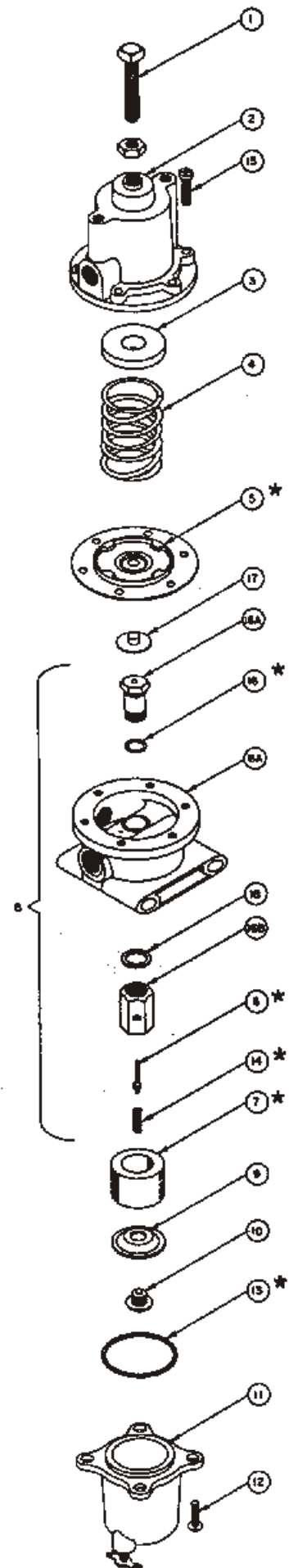
Index	Part No.	Description
1	EB-15821-1	Knob Assembly (for PL5)
2	EB-9457-1	Bonnet Assembly
3	EA-6058	Spring Seat
4	EB-6060	Spring
*5	EB-15940-1	Diaphragm Assembly
*6	EB-3021	Pin/le
*7	EA-14203	Filter Element 40 Micron
8	EC-15939-()	Body & Insert Assembly
8A	EC-15943-1	Body
9	EB-9243	Filter Retainer
10	EA-3055	Screw
11	EB-15938-1	Dripwell Assembly
12	EA-15949	Screen
*13	EB-130-030-1-70	O Ring
*14	EA-15951	Spring
15	EA-1032-12	Screw
16	EB-130-012-1-70	O Ring
16A	EB-16080	Seat
16B	EB-16079	Seat Extension
17	EB-13677	Relief Seat
*18	EB-130-112-1-70	O Ring

*EA-16132-() Service Kit Components

**Number depends on option selected

NOTE: Service Kit EA-16133-() same as above except:

- Delete EA-14203 and
- EB-16129 Tetraseal replaces EB-103-030-1-70 O Ring
- EB-15969-1 replaces EB-15938-1
- EB-16128-1 replaces EA-3055



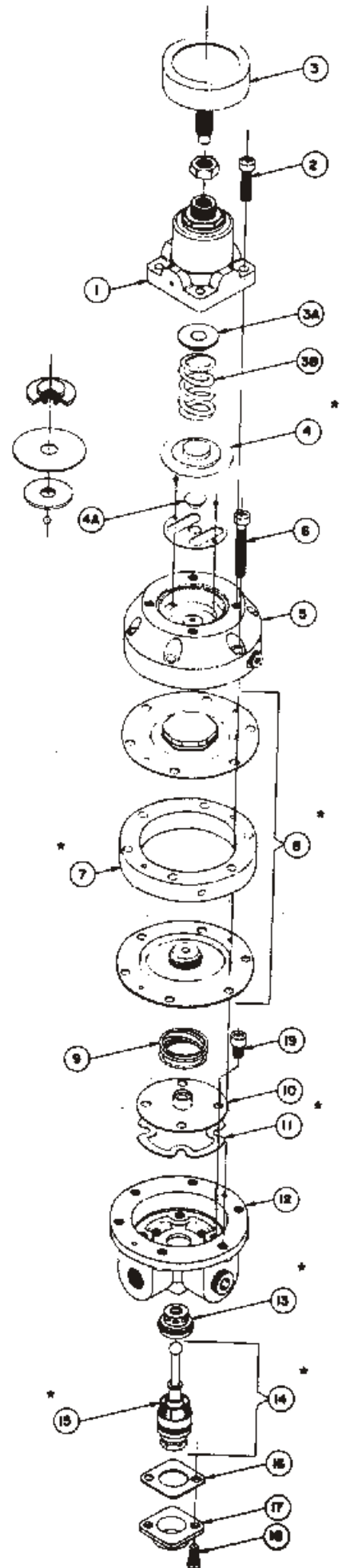
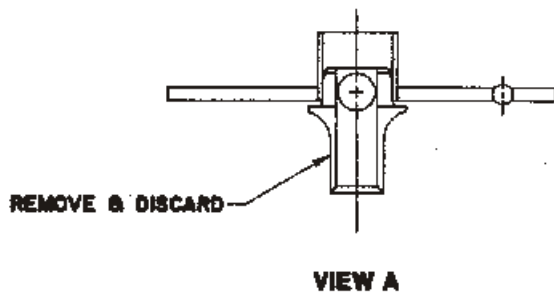
SERVICE KIT INSTALLATION

Model 81 Service Kit

1. Check parts in the EA-12922 service kit against the parts marked with an asterisk in the exploded view and the associated table.
 2. Mark all parts of the regulator, starting from the IN port and working up to the bonnet (1) to facilitate reassembly. Remove any inserts in the IN and OUT ports.
 3. Back off knob assembly (3) to remove compression on range spring (3B).
 4. Remove four screws (2) securing bonnet (1) to pilot body assembly. Set aside spring seat (3A) and spring (3B).
 5. Remove diaphragm assembly (4).
 6. Loosen six screws (6) holding pilot body assembly (5) to body assembly (12).
- WARNING: Spring (9) is under compression. Loosen screws (6) carefully so that pilot body (5) separates from body assembly (12).**
7. Lift diaphragm and piston assembly (8) together with spacer ring assembly (7) away from body assembly (12) and set aside.
 8. Remove spring (9) and set aside.
 9. Remove four screws (19) holding seal plate assembly (10) to body assembly (12).
 10. Remove gasket (11) from body assembly (12).
 11. Remove two screws (18) holding retainer cap (17) and retainer plate (16) to body assembly (12) and set aside retainer cap (17) and retainer plate (16).
 12. Tap out the inner valve assembly (14) and screen (15) from body assembly (12).
 13. Using a dowel rod, tap out ring seat (13) from body assembly (12).
 14. Secure ring seat (13) from the service kit and insert in the bottom hole of body assembly (12), brass end first. Tap with a dowel rod to assure that ring seat (13) is seated against the shoulder in body assembly (12).
 15. Insert screen (15) from the service kit into the groove in the inner valve assembly (14) secured from the service kit. Insert the assembly pintle first into the bottom hole of the body assembly (12). Press until brass shoulder is flush with the bottom of body assembly (12).
 16. Align the holes in the retainer plate (16) with the two holes in the bottom of the body assembly (12). Align the holes in retainer cap (17) with the holes in the retainer plate (16) and secure both to the body assembly (12) with two screws (18).
 17. Secure gasket (11) from the service kit and place in body assembly (12), aligning four holes in gasket (11) with holes in body assembly (12).
 18. If seal plate (10) has a jet tube insert (see view A), press the insert (EB 1955) out of the plate and discard it.
 19. Place seal plate (10) over gasket (11), brass seal tube facing up, aligning four holes in seal plate (10) with holes in gasket (11). Pintle on the inner valve assembly (14) extends through the seal plate tube and the ball bearing in the seal plate is over the OUT port.
 20. Fasten seal plate (10) to body assembly (12) with four screws (19).
 21. Secure diaphragm assembly (8) and ring assembly (7) from service kit. Place diaphragm assembly (8) into ring assembly (7) (hexagonal nut on orifice side of the ring) so that the diaphragms overlap top and bottom of ring assembly (7). Align six screw holes and two passage holes in diaphragm assembly (8) with holes in ring assembly (7).
 22. Place spring (9) over the seal tube on seal plate (10).
 23. Place pilot body assembly (5) over the assembly in step 21, so that six holes in pilot assembly (5) are aligned with the six holes of assembly in step 21 and the passage hole in diaphragm assembly (8) which is next to the drilled passage in the bottom well of assembly (5) is directly over the orifice in the ring assembly (7).
- CAUTION: Make sure that the anvil (4A) is not lost while manipulating assembly (5).**
24. Drop six screws (6) into the holes in pilot body assembly (5).
 25. Place assembly of step 24 over spring (9), aligning marks placed on pilot body assembly (5) and body assembly (12) in step 2.
 26. Tighten six screws (6) alternately so that diaphragms are not damaged by the screws.
 27. Place diaphragm assembly (4) into well in pilot body assembly (5). Place spring seat (3A) and spring (3B) in diaphragm assembly (4).
 28. Place bonnet assembly (1) on pilot body assembly (5), aligning marks placed on the regulator in step 2, and aligning four holes in assembly (1) with the four holes in assembly (5). Secure bonnet assembly (1) to pilot body assembly (5) using four screws (2).
 29. Lubricate knob assembly screw (3) with Molycote "G".
 30. Reinstall the regulator in accord with installation instructions in the IOM and follow instructions in the operations section for placing the regulator back into service.

Index	Part No.	Description
1	EA-9536	Bonnet Assembly
2	EA-1032	Screw
3	EB-15821-1	Knob Assembly (for PL5)
3A	EB-11020	Spring Seat
3B	EB-9321	Range Spring
*4	EA-12191	Diaphragm Assembly
4A	EB-9547	Anvil
5	EB-12224	Pilot Body Assembly
6	EA-1032-24	Screw
*7	EB-16014-1	Spacer Ring Assembly
*8	EB-15869-1**	Control Diaphragm Assembly (20.60.100 psi)
9	EA-12227	Spring
10	EB-15739-1	Seal Plate Assembly
*11	EA-6053	Gasket
12	EB-12212	Body Assembly
*13	EA-15074-1	Seat Assembly
*14	EB-15578-1	Inner Valve Assembly
*15	EB-6017	Screen
16	EA-6027	Retainer Plate
17	EB-7136	Retainer Cap
18	EA-1032-6	Screw
19	EA-1032-5	Screw

**EB-15869-2 for 2.5 psig [.17 BAR] (17 kPa)



REGULATOR MAINTENANCE

Model 10

The regulator is easily disassembled for the occasional cleaning or removal of foreign matter. Before this is done, however, shut off valve upstream of the regulator to prevent escape of air when regulator is disassembled. There is no need to remove the regulator from the pipe line; remove the two No. 10-32 screws on the bottom of the unit and pull out the inner valve

assembly. Wash inner valve assembly with solvent exercising care to avoid damaging diaphragms and valve facings. Replace assembly carefully. The vent hole in the bonnet should be kept clear. A slight flow of air through this hole is necessary for the proper operation of the regulator. The adjusting screw should be lubricated with Molycote type "G" grease.

CAUTION

(Avoid such solvents as acetone, carbon tetrachloride, trichlorethylene)

TROUBLE SHOOTING

Problem	Check
High bleed rate	Relief seat & relief valve for damage or foreign matter
Leakage	Diaphragm Damage
Valve chatter	Lubrication of seal rings

REPAIR PARTS LISTS

Service Kits are available as follows:

DESCRIPTION	SERVICE KIT NO.
2 psig [.13 BAR] (13 kPa) - 200 psig [13.5 BAR] (1350 kPa) — STD	EA-12125-1

Model 30

The regulator is easily disassembled for the occasional cleaning or removal of foreign matter. Before this is done, however, shut off valve upstream of the regulator to prevent escape of air when regulator is disassembled. There is no need to remove the regulator from the pipe line; remove the two No. 10-32 screws on the bottom of the unit and pull out the inner valve assembly. Wash inner valve assembly with solvent exercising care to avoid damaging diaphragms and valve facings. Replace assembly carefully. The vent hole in

the bonnet should be kept clear. A slight flow of air through this hole is necessary for the proper operation of the regulator. The adjusting screw should be lubricated with Molycote type "G" grease.

CAUTION

(Avoid such solvents as acetone, carbon tetrachloride, trichlorethylene)

TROUBLE SHOOTING

PROBLEM	CHECK
Leakage	Body screw tightness Diaphragm
High Bleed	Relief pintle and relief seat for damage or contamination
Difficult to adjust	Adjusting screw, ball Seal ring lubrication

REPAIR PARTS LISTS

Service Kits are available for the regulator as follows:

EB-16116-1	2 and 10 # Ranges 2 psig [.13 BAR] (13 kPa), 10 psig [.7 BAR] (7 kPa)
EB-16116-13	30, 60, 100 # Ranges 30 psig [2.0 BAR] (200 kPa) 60 psig [4.0 BAR] (400 kPa) 100 psig [7.0 BAR] (70 kPa)

Model 64A, 65A

The drainlock on Model 65A should be opened periodically to empty the dripwell. The frequency with which the dripwell should be drained will depend upon the flow through the regulator and the amount of entrained oil or water in the air.

The filter may be removed for servicing or replacement by removing the drain housing and the spring retainer plug and filter retainer. Clean filter in kerosene, gasoline, or similar solvent. After cleaning reassemble. Do not attempt to force it.

The adjusting screw on Models 64A and 65A should be lubricated with Molycote type "G" grease.

NOTICE

The presence of certain diester oils in the airlines may hasten deterioration of the elastomers and thus decrease the useful life of this unit.

TROUBLESHOOTING

PROBLEM	CHECK
Leakage	Body screw tightness Diaphragm
High Bleed	Relief pintle and relief seat for damage or contamination
Difficult to Adjust	Adjusting screw and ball Seal ring lubrication

REPAIR PARTS LISTS

Service Kits are available for the regulator.

MODEL 64A

Standard EA-16133-1

MODEL 65A

Standard EA-16132-1

NOTE: To order kit with 5 micron filter add suffix "F" to kit number.

Model 81

The regulator is easily disassembled for the occasional cleaning or removal of foreign matter. Before this is done, however, shut off valve upstream of the regulator to prevent escape of air when regulator is disassembled. There is no need to remove the regulator from the pipe line; remove the two No. 10-32 screws on the bottom of the unit and pull out the inner valve assembly. Wash inner valve assembly with solvent exercising care to avoid damaging diaphragm and valve facings. Replace assembly carefully.

The vent hole in the bonnet should be kept clear. A slight flow of air through this hole is necessary for the proper operation of the regulator.

The adjusting screw should be lubricated with Moly-cote type "G" grease.

CAUTION

(Avoid such solvents as acetone, carbon tetrachloride, trichlorethylene).

TROUBLE SHOOTING

PROBLEM	CHECK
Leakage	Body screw tightness Diaphragm
High Bleed	Relief pintle and relief seat for damage or contamination
Difficult to Adjust	Adjusting screw and ball Seal ring lubrication

REPAIR PARTS LIST

Service Kit EA-12922 is available for maintenance of the Model 81.

12922-2	0-2 psig [.13 BAR] (13 kPa) and 0-5 psig [.35 BAR] (35 kPa)
12922-1	0-2 psig [.13 BAR] (13 kPa) .5 psig [.03 BAR] (.3 kPa) – 60 psig [4.0 BAR] (400 kPa) .5 psig [.03 BAR] (.3 kPa) – 100 psig [7.0 BAR] (700 kPa)




FAIRCHILD
INDUSTRIAL PRODUCTS COMPANY
3920 WEST POINT BLVD. WINSTON-SALEM, NC 27103-6708
Tel 336-659-3400 FAX 336-659-8323
www.fairchildproducts.com



FM NO. 25571

IS-4000PL5
Litho in USA
Rev. E 7-99