

**DESCRIPTION:**

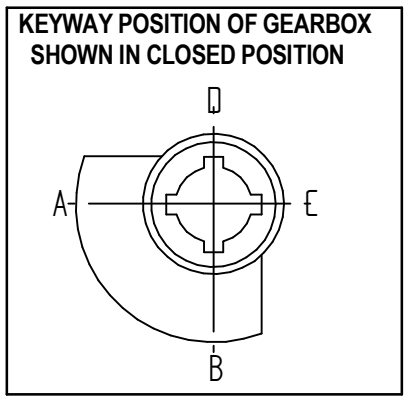
TRAVEL : -5° TO 95° adjustable  
 RATIO : 468 : 1  
 TURNS TO CLOSE : 117  
 WEIGHT : 94 kg. (208 lb.) Excl. handwheel

**MOUNTING HOLES :**

BOLT CIRCLE : min.  $\phi$  165 [6.50]  
 (OFF CENTER) : max.  $\phi$  356 [14.02]  
 acc. ISO 5211 : F16 - F25 - F30 - F35  
 Min. bore Quadrant :  $\phi$  30 [1.18]  
 MAX. bore Quadrant :  $\sphericalangle$  75 [2.95] or  $\phi$  100 [3.94]

**TORQUE :**

max. OUTPUT : 17000 Nm (150620 lbf.in.)  
 max. INPUT : 121 Nm (1075 lbf.in.)  
 MA : 140.0  $\pm$  15%



DIMENSIONS IN MM [INCH]

**ROTORK GEARS**

**GEARBOX AB6800W-PR6 LB**

DRAWN:- Robbin Goosen CHECKED:- Henk Hoff  
 DWG:- AB6800W-PR6 LB REV: 01