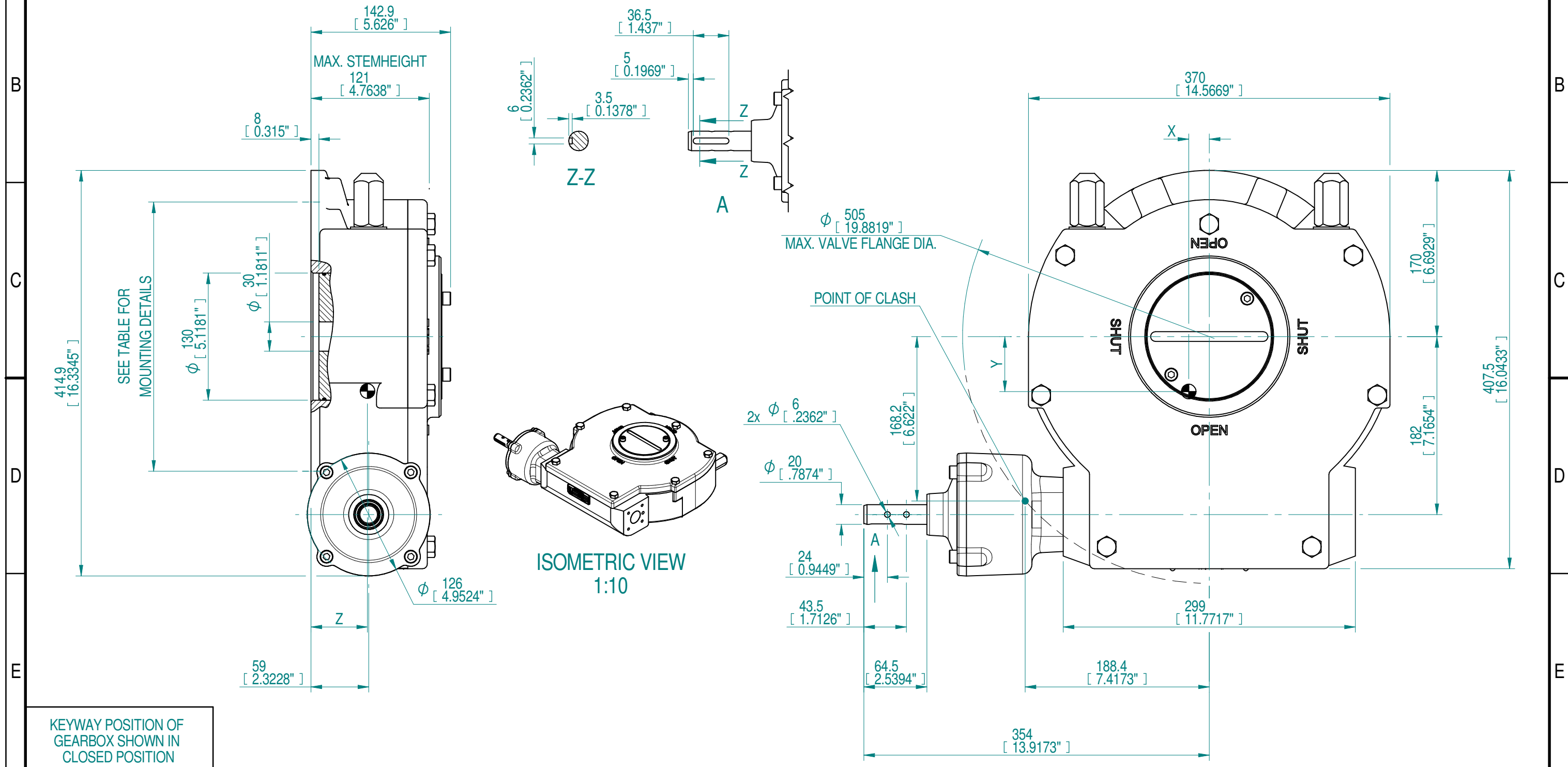


INPUT FLANGE DETAILS				MOUNTING HOLES - BOLT CIRCLE (OFF CENTRES)				STEM ACCEPTANCE IN ACCORDANCE TO STANDARD					
INPUT FLANGE	FLANGE O/DIA.	HOLE DETAILS (OFF CENTRES)	KEY DETAILS	ISO 5211 / MSS SP-101 MOUNTING OPTION	HOLE DETAILS (OFF CENTRES)	MAX OUTSIDE DIA. INCLUDING DRILLED HOLES	MIN INSIDE DIA. INCLUDING DRILLED HOLES	BORE MACHINED IN	STANDARD	MIN BORE	RECT. KEY MAX BORE	RECT. KEY SIZE	SQ BORE MAX
-	-	-	-	F16 (FA16)	4x M20* x 18 DEEP ON A Ø165P.C. (4x 3/4"UNC x 0.71" DEEP ON A 6.5"P.C.)	Ø327 (Ø12.87")	Ø134 (Ø5.28")	QUADRANT	DIN 6885	Ø30	Ø100	28 x 16	□ 75
-	-	-	F25 (FA25)	8x M16* x 18 DEEP ON A Ø254P.C. (8x 5/8"UNC x 0.71" DEEP ON A 10"P.C.)	BS46				Ø1.18"	Ø3.8291"	1 x 3/4	□ 2.95"	
-	-	-	F30 (FA30)	8x M20* x 18 DEEP ON A Ø298P.C. (8x 3/4"UNC x 0.71" DEEP ON A 11.75"P.C.)									



DESCRIPTION			TORQUE			CENTRE OF GRAVITY		
468 : 1	117	140 ± 15%	78.9 kg	17000 Nm	121 Nm	21	56.2	57.8
			173.6 lbs.	150620 lbf.in.	1075 lbf.in.	0.83"	2.21"	2.27"
RATIO	TURNS TO CLOSE	M.A.	WEIGHT EXCL. HW	MAX OUTPUT	MAX INPUT	X	Y	Z

AS PART OF CONTINUOUS PRODUCT DEVELOPMENT, ALL DETAILS SUBJECT TO CHANGE WITHOUT PRIOR NOTICE. FOR UP TO DATE DETAILS PLEASE VISIT www.rotork.com

rotork Gears
LOSSER - THE NETHERLANDS
www.rotork.com

This drawing is confidential and is the property of Rotork Gears and must not be reproduced either wholly or partly. All rights in respect of patents, designs and copyrights are reserved. © 2018

Document Type	GAD	Title	GEARBOX AB6800SS-PR6 RIGHT HANDED WITHOUT BORE AND PCD	
Created	robbin.goosen	20-2-2018	Drawing Number	PUB01725
Checked	Henk Hoff	23-5-2018	Sheet	1 of 2
Approved			Size	A3

Scale: 1:4

Iss. 01

Rev.05